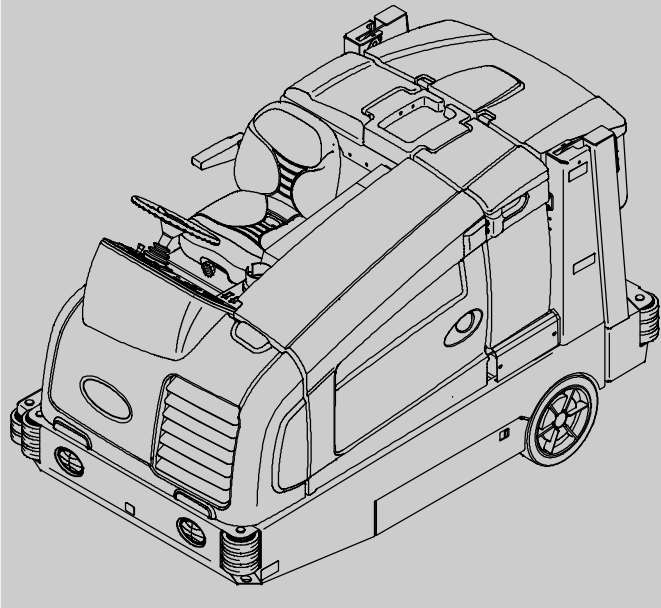




M20

(Gas/LPG)

Scrubber-Sweeper Parts Manual



The Safe Scrubbing Alternative®

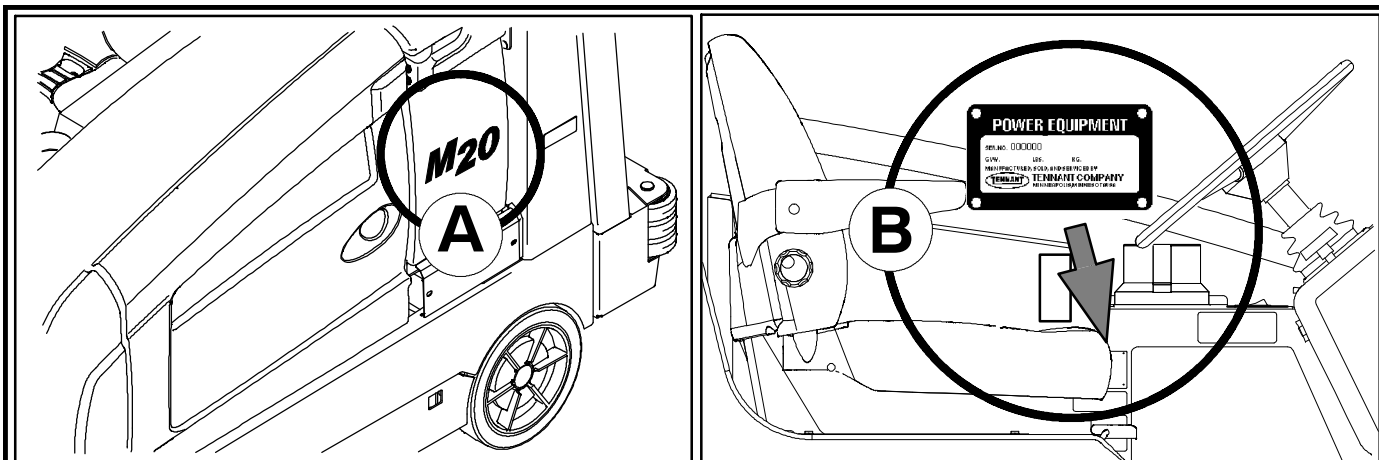
Hygenic® Fully Cleanable Tanks
FloorSmart™ Integrated Cleaning System
ES® Extended Scrub System

North America / International

www.tennantco.com

331381
Rev. 06 (5-2009)





Ref	Part No.	Serial Number	Description	Qty.
1	82681	(000000-)	Bracket Wldt, Lpg Mount	1
2	63810	(000000-)	Latch Assy, Lpg Tank Mtg, W/Nut	4
3	51839	(000000-)	Nut Adjustable, Lpg Tank Mtg	2
4	49263	(000000-)	Tie, Cable	3
5	82556	(000000-001039)	Bracket, Vaporizer	1
6	54930	(000000-)	Vaporizer, LPG	1

HOW TO ORDER PARTS - See diagram above

Only use TENNANT Company supplied or equivalent parts. Parts and supplies may be ordered online, by phone, by fax or by mail.

Follow the steps below to ensure prompt delivery.

1. **(A)** Identify the machine model.
2. **(B)** Identify the machine serial number from the data plate.
3. **(C)** Ensure the proper serial number is used from the parts list.
4. Identify the part number and quantity. Do not order by page or reference numbers.
5. Provide your name, company name, customer ID number, billing and shipping address, phone number and purchase order number.
6. Provide detail shipping instructions.

(D) ▽ - Identifies an assembly
 ▲ - Identifies parts included in assembly

EN

Please fill out at time of installation for future reference.

Model No. - _____

Serial No. - _____

Machine Options - _____

Sales Rep. - _____

Sales Rep. phone no. - _____

Customer ID Number - _____

Installation Date - _____

Tennant Company
 PO Box 1452
 Minneapolis, MN 55440
 Phone: (800) 553-8033 or (763) 513-2850
 www.tennantco.com

Thermo-Sentry, Touch-N-Go, 1-STEP, Clean-Wedge, Variable Drain Valve, EasyOpen, Grip-N-Go, MaxPro², Dura-Track, SmartRelease, InstantAccess, Duramer, FaST-PAK, ErgoSpace and Lower Total Cost of Ownership are US registered and unregistered trademarks of Tennant Company.

Specifications and parts are subject to change without notice.
 Original Information, copyright © 2006 - 2009 TENNANT Company, Printed in U.S.A.

CN	<p>如何订购部件 - 参见下表</p> <p>仅使用 TENNANT 公司提供的或同等部件。部件和供应可以在线订购，通过电话、传真或邮件订购。请遵循下面的步骤确保及时交付。</p> <ol style="list-style-type: none"> 1. (A) 确定机器型号。 2. (B) 从数据标签确定机器序列号。 3. (C) 确保使用部件列表中的正确序列号。 4. 确定部件号和数量。 不要按页面或参考编号订购。 5. 提供您的姓名、公司名称、客户 ID 号、付帐和送货地址、电话号码和采购单编号。 6. 提供详细的送货说明。 <hr/> <p>(D) ▽ - 确定组件 ▲ - 确定组件中包含的组件</p>	<p>请在安装时填写供未来参考。</p> <p>型号 - _____</p> <p>序列号 - _____</p> <p>机器选项 - _____</p> <p>销售代表 - _____</p> <p>销售代表电话号码 - _____</p> <p>客户 ID 编号 - _____</p> <p>安装日期 - _____</p>
-----------	--	--

ES	<p>CÓMO SOLICITAR PIEZAS - Consulte el diagrama anterior.</p> <p>Utilice sólo las piezas suministradas por TENNANT Company o piezas equivalentes. Puede solicitar las piezas a través de internet, por teléfono, por fax o por correo.</p> <p>Siga los siguientes pasos para que la entrega sea rápida.</p> <ol style="list-style-type: none"> 1. (A) Indique el modelo de máquina. 2. (B) Indique el número de serie de la etiqueta de datos. 3. (C) Asegúrese de que indica el número de serie correcto de la lista de piezas. 4. Indique la cantidad y el número de la pieza. No realice el pedido indicando el número de página o el de referencia. 5. Incluya su nombre, el nombre de la empresa, el ID de cliente, las direcciones de envío y facturación, el número de teléfono y el número del pedido de compra. 6. Facilite instrucciones de envío. <hr/> <p>(D) ▽ - identifica un conjunto ▲ - identifica piezas de un conjunto</p>	<p>Rellene estos datos cuando realice la instalación para utilizarlos como referencia en el futuro.</p> <p>Nº modelo - _____</p> <p>Nº serie - _____</p> <p>Opciones de la máquina - _____</p> <p>Vendedor - _____</p> <p>Nº teléfono vendedor - _____</p> <p>Nº cliente - _____</p> <p>Fecha de instalación - _____</p>
-----------	--	---

FR	<p>COMMENT COMMANDER DES PIÈCES DÉTACHÉES - Voir le schéma ci-dessus.</p> <p>Utilisez uniquement des pièces fournies par la société TENNANT ou équivalentes. Les pièces et fournitures peuvent être commandées en ligne, par téléphone, fax, ou par courrier.</p> <p>Suivez les étapes ci-dessous pour assurer une livraison rapide.</p> <ol style="list-style-type: none"> 1. (A) Identifiez le modèle de la machine. 2. (B) Identifiez le numéro de série de la machine, à partir de l'étiquette signalétique. 3. (C) Assurez-vous que le numéro de série correct est utilisé à partir de la liste de pièces détachées. 4. Identifiez le numéro de pièce et la quantité. Ne commandez pas par page ou numéros de référence. 5. Fournissez votre nom, le nom de votre société, votre numéro d'identification de client, l'adresse de facturation et d'expédition, le numéro de téléphone et le numéro du bon de commande. 6. Fournissez des instructions d'expédition détaillées. <hr/> <p>(D) ▽ - identifie un assemblage ▲ - identifie les pièces composant l'assemblage</p>	<p>A remplir au moment de l'installation à titre de référence.</p> <p>Nº du modèle - _____</p> <p>Nº de série - _____</p> <p>Options de la machine - _____</p> <p>Agent commercial - _____</p> <p>Nº tél. de l'agent commercial - _____</p> <p>Numéro d'identification client - _____</p> <p>Date d'installation - _____</p>
-----------	--	---

JP	<p>パーツの発注方法 ? 上記の図を参照してください</p> <p>TENNANT社製のパーツまたは同等品のみをお使いください。パーツやサプライ品のご注文は、オンライン、電話、FAX、または手紙でお願いいたします。確実にお届けできるように、以下の情報お知らせください。</p> <ol style="list-style-type: none"> 1. (A) 製品のモデル名をお知らせください。 2. (B) 製品のデータラベルに印刷されているシリアル番号をお知らせください。 3. (G) パーツリストを参照して、シリアル番号が正しいかご確認ください。 4. パーツ番号と数量をお知らせください。マニュアル/カタログのページ番号や参照番号でのご注文はご遠慮ください。 5. お客様のお名前、会社名、顧客ID番号、請求/発送先住所、電話番号、注文書番号をお知らせください。 6. 発送に関するご希望があれば、明記してください。 <hr/> <p>(D) ▽ - アセンブリを示します ▲ - アセンブリに含まれるパーツを示します</p>	<p>後日確認できるように、設置時に記入してください。</p> <p>モデルNo. - _____</p> <p>シリアルNo. - _____</p> <p>製品のオプション - _____</p> <p>販売代理店 - _____</p> <p>販売代理店の電話番号 - _____</p> <p>顧客ID番号 - _____</p> <p>設置日 - _____</p>
-----------	---	---

GENERAL RECOMMENDED MAINTENANCE

General Recommended Maintenance Items

Ref.	Part No.	Serial Number	Description	Qty.
▽	9002553	(000000-) Maint Kit, Gas, 400hr[M20/T20]	1
▲	372575	(000000-) Sparkplug [Gm]	4
▲	369746	(000000-) Element, Fltr, Air [Dn]	1
▲	372440	(000000-) Filter, Fuel [Gm 1.6l/3.0l]	1
▽	9002554	(000000-) Maint Kit, Lpg, 400hr[M20/T20]	1
▲	372575	(000000-) Sparkplug [Gm]	4
▲	369746	(000000-) Element, Fltr, Air [Dn]	1
▲	372615	(000000-) Filter Kit, Fuelock, Lpg	1
▽	9002555	(000000-) Maint Kit, Gas, 800hr[M20/T20]	1
▲	31613	(000000-) Strainer, Hyd, 25 Gpm 100 Mesh	1
▲	25122	(000000-) Cap, Breather, Hyd, 2.4 Ds	1
▲	1021579	(000000-) Filter Assy [Pt4 936498]	1
▲	372440	(000000-) Filter, Fuel [Gm 1.6l/3.0l]	1
▽	9002613	(000000-) Maint Kit, Lpg, 800hr[M20/T20]	1
▲	31613	(000000-) Strainer, Hyd, 25 Gpm 100 Mesh	1
▲	25122	(000000-) Cap, Breather, Hyd, 2.4 Ds	1
▲	1021579	(000000-) Filter Assy [Pt4 936498]	1
▲	372615	(000000-) Filter Kit, Fuelock, Lpg	1
	371972	(000000-) Element, Fltr, Oil, Eng, Spin-On	1
	1018296	(000000-) Filter, Panl, Dust, 4.2 X 20.0 X 30.0	1
	1027290	(000000-) Filter, Soltn, 20mesh, Pm12 3.1d 02.6l	1
	87866	(000000-) Key, Ignition [Set Of 2]	1
	10137	(000000-) Battery, Wet, 12vdc 0475cca	1
	20833	(000000-) Wheel, 3.0d 1.38w 0.50b	2
	1033644	(000000-) Belt, Ribbed, 38.5l	1
	1024586	(000000-) Skirt, Neo, .06, 06.85w 27.95l, 08 Hole	2
	1019295	(000000-) Skirt, Neo, .18, 10.37w 27.95l, 12 H&S	2
	1020166	(000000-) Skirt, Neo, .06, 12.00w 45.88l, 07 Hole	1
	1022009	(000000-) Skirt, Neo, .06, 06.38w 40.86l, 06 Hole	1
	1022007	(000000-) Skirt, Rbr, .37, 04.50w 40.94l, 06 Hole	1
	1017868	(000000-) Blade, Sqge, Front [Linard]	1
	1031331	(000000-) Blade, Sqge, Rear, Linatex	1
	83874	(000000-) Gasket, Sqge	2
	1031011	(000000-) Blade, Sqge, 37.08l Linatex	2
	1027719	(000000-) Blade, Sqge, Front, 49.59l Pyu	1
	1031945	(000000-) Blade, Sqge, Rear, 53.78L Pyu	1
	1031823	(000000-) Blade, Sqge, .38 3.55w 038.3l, Ure	2
	1027716	(000000-) Squeegee Assy, Sba, Ure	1
	1025005	(000000-) Squeegee Assy, Sba, Linatex	1
	84597	(000000-) Tire Assy, Solid, 18.0x6.0 4.5bc/5bolt	1
	16411	(000000-) Paint, Airdry, Off-White, 12oz	1
	16412	(000000-) Paint, Airdry, Teal, 12oz, Solid	1
	377540	(000000-) Paint, Airdry, Blk, 12oz	1
	377538	(000000-) Paint, Airdry, Gray, 12oz [Enamel]	1
	377537	(000000-) Paint, Airdry, Iron Gray, 12oz[Pwdr Coat]	1

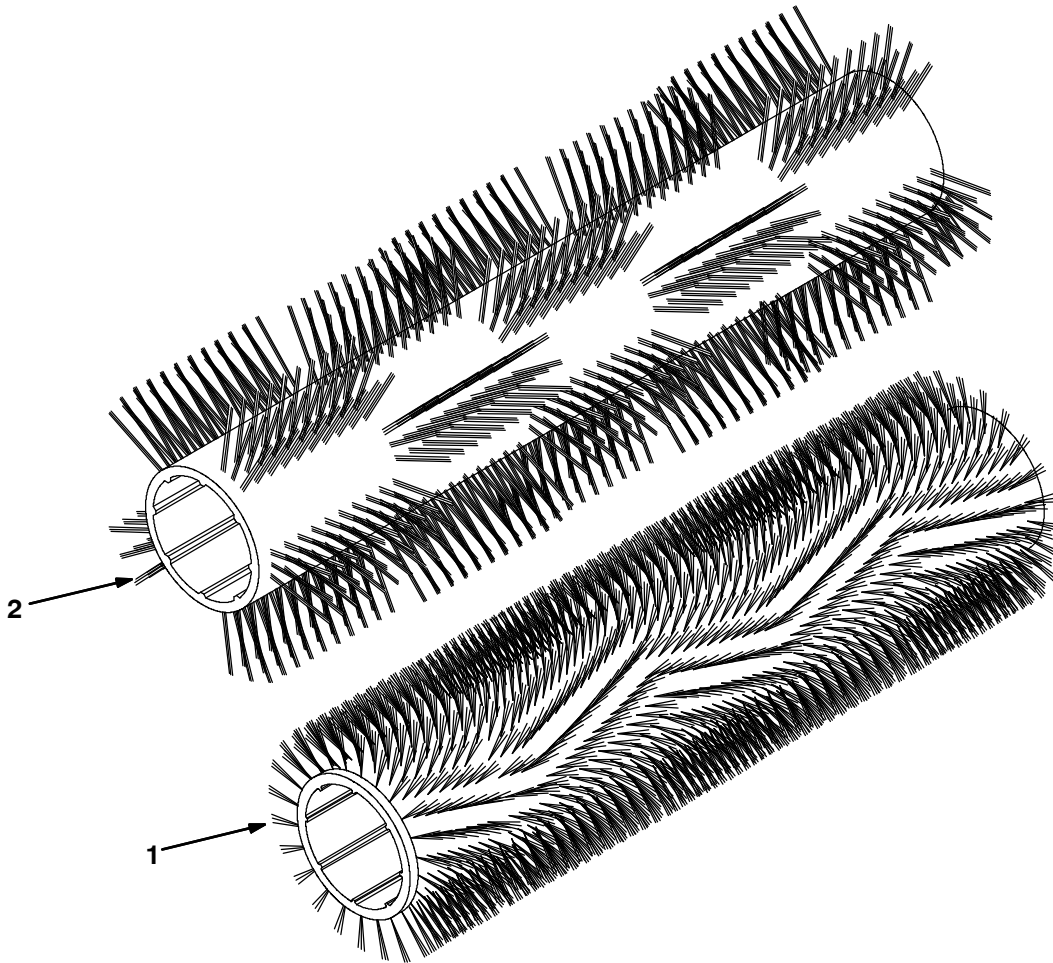
GENERAL RECOMMENDED MAINTENANCE

SECTION 2

Contents	Page
Fig. 1 - Brushes, Replacement, Scrub Head	2-2
Fig. 2 - Brushes, Replacement, Side Brush	2-3
Fig. 3 - Main Frame Group	2-4
Fig. 4 - Operator Station Group	2-6
Fig. 5 - Operator Station Insulation Group	2-8
Fig. 6 - Instrument Panel Group	2-10
Fig. 7 - Seat Group	2-12
Fig. 8 - Steering Group	2-14
Fig. 9 - Front Cover Group	2-16
Fig. 10 - Engine Cover Group	2-18
Fig. 11 - Engine and Mount Group	2-20
Fig. 12 - Engine EFI Group, Gasoline (000000-001999)	2-22
Fig. 13 - Engine EFI Group, Gasoline (002000-)	2-24
Fig. 14 - Engine EFI Group, LPG (000000-001999)	2-26
Fig. 15 - Engine EFI Group, LPG (002000-)	2-30
Fig. 16 - Engine Vaporizer Group, LPG (002000-)	2-32
Fig. 17 - Engine Fuel Tank Group, Gasoline (000000-001999)	2-34
Fig. 18 - Engine Fuel Tank Group, Gasoline (002000-)	2-36
Fig. 19 - Engine Fuel Tank Group, LPG	2-38
Fig. 20 - Engine Air Cleaner Group, Gasoline (000000-001999)	2-40
Fig. 21 - Engine Air Cleaner Group, Gasoline (002000-)	2-42
Fig. 22 - Engine Air Cleaner Group, LPG (000000-001999)	2-44
Fig. 23 - Engine Air Cleaner Group, LPG (002000-)	2-46
Fig. 24 - Engine Alternator and Fan Group	2-48
Fig. 25 - Engine Muffler Group (000000-001999)	2-50
Fig. 26 - Engine Muffler Group (002000-)	2-52
Fig. 27 - Engine Radiator Group	2-54
Fig. 28 - Battery and Electrical Group	2-58
Fig. 29 - Wheel Group, Front Drive	2-60
Fig. 30 - Wheel Group, Rear	2-62
Fig. 31 - Brake Pedal Linkage Group	2-64
Fig. 32 - Directional Pedal and Linkage Group	2-66
Fig. 33 - Hopper Lift Arms Group	2-68
Fig. 34 - Hopper and Debris Screen Group	2-70
Fig. 35 - Hopper Cover and Dust Filter Group	2-72
Fig. 36 - Hopper Bumper Group	2-74
Fig. 37 - Hopper Door Group	2-76
Fig. 38 - Cylindrical Scrub Brush Drive Group, Left Side	2-78

Contents	Page
Fig. 39 - Cylindrical Scrub Brush Drive Group, Right Side	2-80
Fig. 40 - Cylindrical Scrub Brush Head Lift Group	2-82
Fig. 41 - Cylindrical Brush Head Skirt Group	2-84
Fig. 42 - Squeegee Lift Group, Rear	2-86
Fig. 43 - Squeegee Group, Rear	2-88
Fig. 44 - Squeegee Linkage Group, Rear	2-90
Fig. 45 - Squeegee Group, Right Side	2-92
Fig. 46 - Squeegee Lift Group, Right Side	2-94
Fig. 47 - Squeegee Group, Left Side	2-96
Fig. 48 - Squeegee Lift Group, Left Side	2-98
Fig. 49 - Solution Tank Group	2-100
Fig. 50 - Solution Tank Drain Group	2-104
Fig. 51 - Solution Control Group	2-106
Fig. 52 - Recovery Tank Group	2-108
Fig. 53 - Recovery Tank Drain Group	2-110
Fig. 54 - Vacuum Fan Group, Scrubbing	2-112
Fig. 55 - Vacuum Fan Group, Sweeping	2-114
Fig. 56 - Hydraulic Schematic (000000-026999)	2-116
Fig. 57 - Hydraulic Schematic (027000-)	2-118
Fig. 58 - Hydraulic Hose Group, Steering and Propel	2-120
Fig. 59 - Hydraulic Hose Group, Pump and Vacuum Fans	2-122
Fig. 60 - Hydraulic Hose Group, Brush and Hopper	2-124
Fig. 61 - Hydraulic Hose Group, Squeegee Lift	2-126
Fig. 62 - Hydraulic Pumps Group	2-128
Fig. 63 - Hydraulic Cooler and Tubes Group	2-130
Fig. 64 - Hydraulic Reservoir Group	2-132
Fig. 65 - Hydraulic Valves Group (000000-026999)	2-134
Fig. 66 - Hydraulic Valve Group (027000-)	2-136
Fig. 67 - Electrical Schematic (000000-001999)	2-138
Fig. 68 - Electrical Schematic (002000-002532)	2-142
Fig. 69 - Electrical Schematic (002533-)	2-146
Fig. 70 - Electrical Schematic, Gas/LPG Engine Harness (000000-001999)	2-150
Fig. 71 - Electrical Schematic, Gas Engine Harness (002000-)	2-152
Fig. 72 - Electrical Schematic, LPG Engine Harness (002000-)	2-154
Fig. 73 - Electrical Wire Harnesses Group	2-156
Fig. 74 - Label Group	2-180

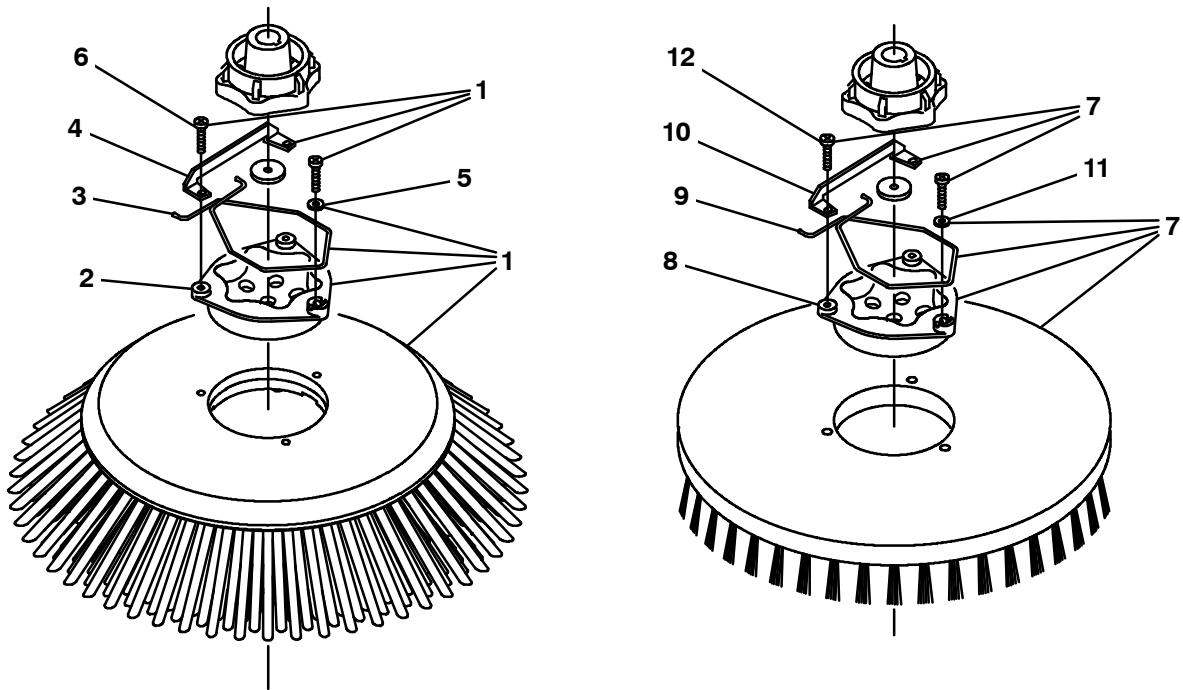
Fig. 1 - Brushes, Replacement, Scrub Head



354408

Ref.	Part No.	Serial Number	Description	Qty.
1	1026223	(000000-) Brush, Swp / Scb, 40l, Polypropylene	2
1	1026222	(000000-) Brush, Swp / Scb, 40l, Super Abrasive	2
1	1027697	(000000-) Brush, Swp / Scb, 40l, Polyester	2
1	1030969	(000000-) Brush, Swp / Scb, 40l, Heavy Duty Polypropylene	2
2	1040524	(000000-) Brush, Swp / Scb, 40l, Wndw, Polypropylene	1

Fig. 2 - Brushes, Replacement, Side Brush



354584

Ref.	Part No.	Serial Number	Description	Qty.
▽	1	1027688	(000000-) Brush Assy, Disk, Swp, 24.0d, Polypropylene	1
▲	2	15539	(000000-) Hub, Drive, Brush, Disk, 3hole 5.8bc[6t]	1
▲	3	14838	(000000-) Spring, Wir, 0.16d, Brush Retaining	1
▲	4	24299	(000000-) Bracket, Retainer, Spring	1
▲	5	01684	(000000-) Washer, Flat, 0.27b 0.69d .05, Ss	1
▲	6	32746	(000000-) Screw, Pan, Phl, M6 X 1.00 X 35, Ss	3
▽	7	1042499	(000000-) Brush Assy, Disk, Scg, 16.0 D, Soft Nylon	1
▲	8	1017368	(000000-) Hub, Drive, Brush, Disk, 3hole 5.8bc	1
▲	9	14838	(000000-) Spring, Wir, 0.16d, Brush Retaining	1
▲	10	24299	(000000-) Bracket, Retainer, Spring	1
▲	11	01684	(000000-) Washer, Flat, 0.27b 0.69d .05, Ss	1
▲	12	32746	(000000-) Screw, Pan, Phl, M6 X 1.00 X 35, Ss	3
▽	7	1042500	(000000-) Brush Assy, Disk, Scg, 16.0 D, Polypropylene	1
▲	8	1017368	(000000-) Hub, Drive, Brush, Disk, 3hole 5.8bc	1
▲	9	14838	(000000-) Spring, Wir, 0.16d, Brush Retaining	1
▲	10	24299	(000000-) Bracket, Retainer, Spring	1
▲	11	01684	(000000-) Washer, Flat, 0.27b 0.69d .05, Ss	1
▲	12	32746	(000000-) Screw, Pan, Phl, M6 X 1.00 X 35, Ss	3
▽	7	1042504	(000000-) Brush Assy, Disk, Scg, 16.0 D, Super Abrasive	1
▲	8	1017368	(000000-) Hub, Drive, Brush, Disk, 3hole 5.8bc	1
▲	9	14838	(000000-) Spring, Wir, 0.16d, Brush Retaining	1
▲	10	24299	(000000-) Bracket, Retainer, Spring	1
▲	11	01684	(000000-) Washer, Flat, 0.27b 0.69d .05, Ss	1
▲	12	32746	(000000-) Screw, Pan, Phl, M6 X 1.00 X 35, Ss	3

Fig. 3 - Main Frame Group

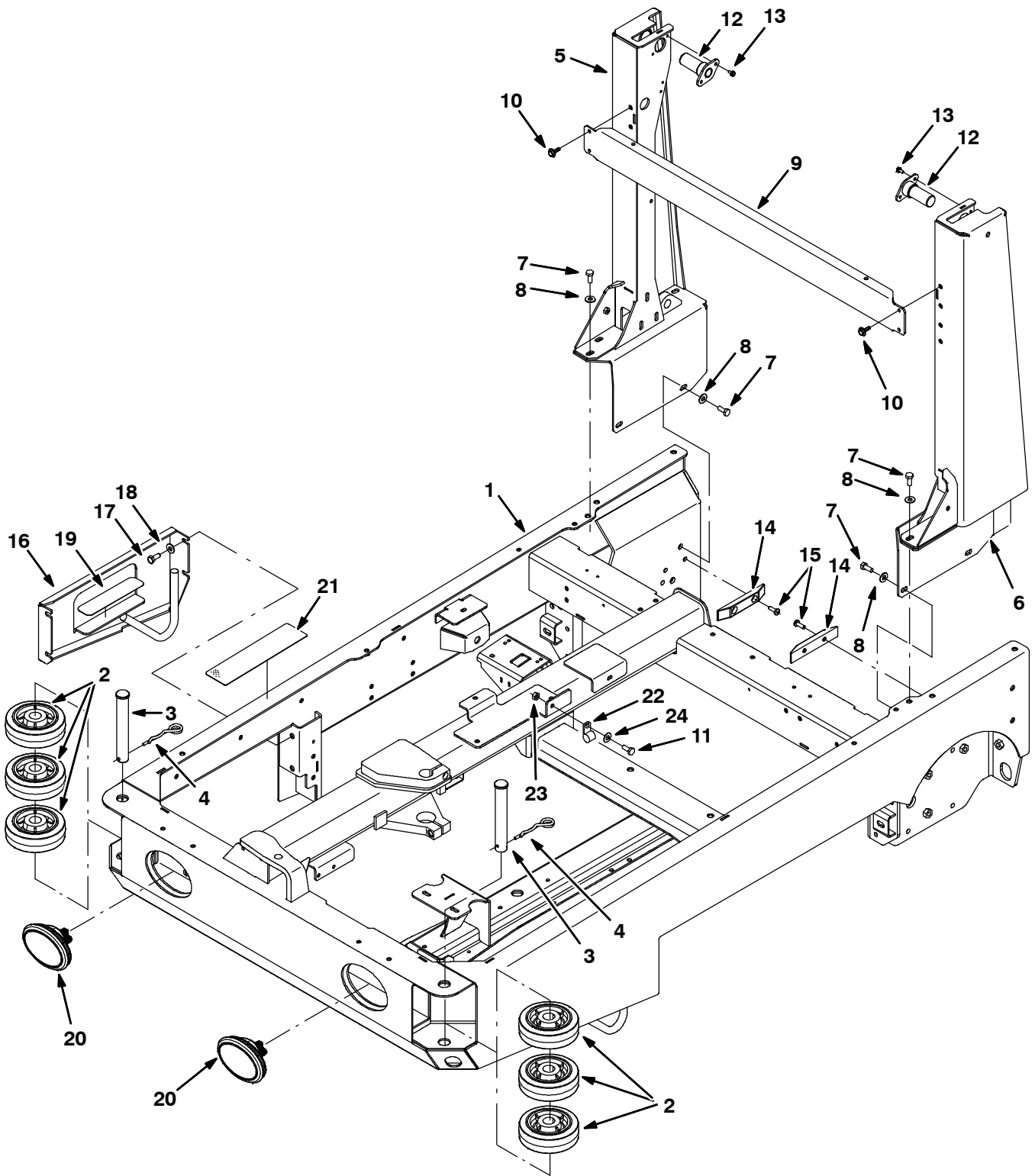


Fig. 3 - Main Frame Group

Ref.	Part No.	Serial Number	Description	Qty.	
1	9002401	(000000-) Frame Wldt, Main, Replmt [m20 & T20]	1	
2	1021047	(000000-) Wheel, 06.0d 2.00w 1.19b, Gray Rbr	6	
3	1017672	(000000-) Pin, Clevis, 30mmd X 200mml	2	
4	761490	(000000-) Pin, Cotter, Hair, Dbl	2	
5	9002400	(000000-) Tower, Wldt, Lift, Rh, Replmt [M20]	1	
6	9002399	(000000-) Tower, Wldt, Lift, Lh, Replmt [M20]	1	
7	39283	(000000-) Screw, Hex, M10 X 1.5 X 25, 8.8	10	
8	32492	(000000-) Washer, Flat, 0.38 Std	10	
9	1017791	(000000-) Channel, Upper, Tower, Lift	1	
10	1037346	(000000-) Screw, Hex, M8 X 1.25 X 25, 9.8, Sems	4	
11	39277	(001338-) Screw, Hex, M8 X 1.25 X 25, 8.8	1	
12	1019251	(000000-) Pin Wldt, Pivot, Hppr	2	
13	74455	(000000-) Screw, Hex, M6 X 1.0 X 12, Fmg	4	
14	1021327	(000000-) Block, Guide, Hppr	2	
15	367771	(000000-) Screw, Pan, M8 X 1.25 X 25, Ss	4	
16	1027916	(000000-) Panel Wldt, Filler	1	
17	12317	(000000-) Screw, Hex, M10 X 1.5 X 30, Ss	4	
18	01686	(000000-) Washer, Flat, 0.44b 1.00d .08, Ss	4	
19	363458	(000000-) Tread, Non-Skid, 01.9w 08.0l	1	
▽	20	1019225	(000000-) Headlight, 12vdc, 27watt, 2.1a, Oval	2
▲	1031826	(000000-) Lamp, 12vdc [Speaker]	1	
▲	1031827	(000000-) Receptacle, Lamp [Speaker]	1	
21	58819	(000000-) Tread, Non-Skid, 03.0w 11.6l	1	
22	53466	(001338-) Clamp, Cable, Stl, 1.50d X 1.00w, 1hole	1	
23	08709	(001338-) Nut, Hex, Lock, M8 X 1.25, NI	1	
24	32491	(001338-) Washer, Flat, 0.31, Std	1	

Fig. 4 - Operator Station Group

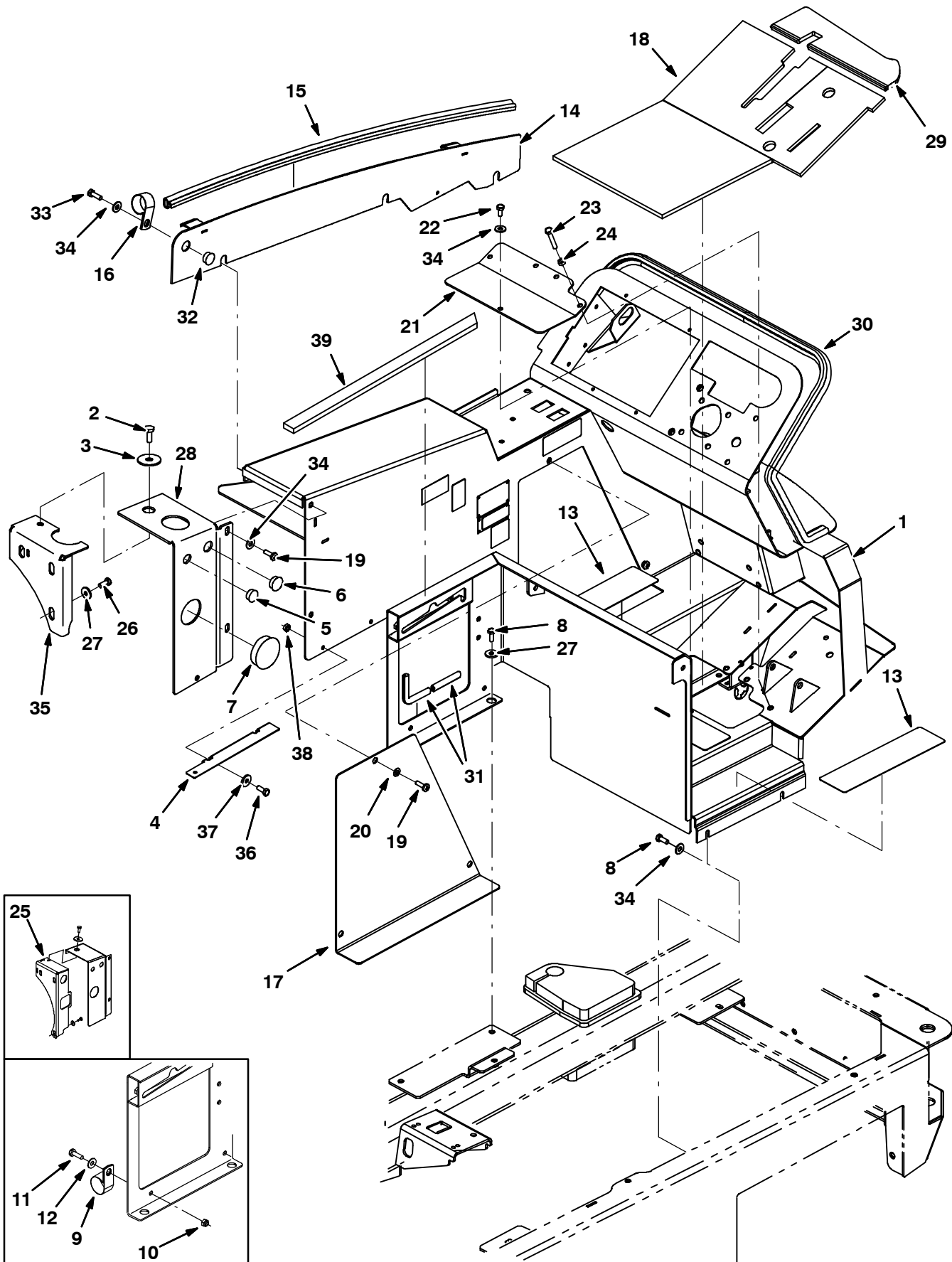


Fig. 4 - Operator Station Group

Ref.	Part No.	Serial Number	Description	Qty.
1	9002409	(000000-) Panel Wldt, Gas, Replmt	1
1	9002380	(000000-) Panel Wldt, Gas, Replmt [W/Fast]	1
1	9002381	(000000-) Panel Wldt, Gas, W/ Es, Replmt	1
1	9003422	(000000-) Panel Wldt, Gas, Replmt, TJ (Japan only)	1
1	9003425	(000000-) Panel Wldt, Gas, Replmt, TJ [W/Fast] (Japan only)	1
1	9003428	(000000-) Panel Wldt, Gas, Replmt, TJ, W/Es (Japan only)	1
1	9003431	(000000-) Panel Wldt, LPG, Replmt	1
1	9003432	(000000-) Panel Wldt, LPG, Replmt [W/Fast]	1
1	9003433	(000000-) Panel Wldt, LPG, Replmt, W/Es	1
1	9003423	(000000-) Panel Wldt, LPG, Replmt, TJ (Japan only)	1
1	9003426	(000000-) Panel Wldt, LPG, Replmt, TJ [W/Fast] (Japan only)	1
1	9003429	(000000-) Panel Wldt, LPG, Replmt, TJ, W/Es (Japan only)	1
2	39283	(000000-) Screw, Hex, M10 X 1.5 X 25, 8.8	1
3	04414	(000000-) Washer, Flat, 0.53b 1.88d .12, Stl, PI	1
4	1047169	(000000-) Bracket, Mtg, Insulation	2
5	82727	(000000-) Plug, Hole, Rnd, 0.88h .03-.12, Blk Nyl	1
6	01493	(000000-) Plug, Hole, Rnd, 1.00h .03-.12, Blk Nyl	1
7	1030017	(000000-) Plug, Hole, Rnd, 2.50h .03-.25, Blk Nyl	1
8	16931	(000000-) Screw, Hex, M8 X 1.25 X 20, 8.8	8
9	70157	(000000-001337)) Clamp, Cable, Ss, 2.50d X 1.00w, 1h	1
10	08709	(000000-001337)) Nut, Hex, Lock, M8 X 1.25, NI	2
11	39277	(000000-001337)) Screw, Hex, M8 X 1.25 X 25, 8.8	7
12	32491	(000000-001337)) Washer, Flat, 0.31, Std	18
13	58819	(000000-) Tread, Non-Skid, 03.0w 11.6l	4
14	1025435	(000000-001999)) Panel Wldt, Adj	1
14	1035832	(002000-) Panel Wldt, Adj [2007]	1
15	1030593	(000000-) Seal, Afmkt, Bulb, 90, 0.75d F/11ga 08ft	1
16	53466	(000000-) Clamp, Cable, Stl, 1.50d X 1.00w, 1h	5
17	1021834	(000000-) Panel, Access, Door	1
18	1027218	(000000-) Mat, Floor	1
19	1031665	(000000-) Screw, Pan, M8 X 1.25 X 25, Blk	4
20	39349	(000000-) Washer, Flat, 0.31 Sae	3
21	1022699	(000000-) Panel, Access, Floor	1
22	16931	(000000-) Screw, Hex, M8 X 1.25 X 20, 8.8	4
23	363976	(000000-) Screw, Hex, M8 X 1.25 X 60, 8.8, FI	1
24	39311	(000000-) Nut, Hex, Std, M8 X 1.25	1
25	1020540	(000000-002412)) Bracket Wldt, Mtg, Tank	1
26	09740	(000000-) Screw, Hex, M8 X 1.25 X 20, Ss	3
27	1017218	(000000-) Washer, Flat, 0.32b 1.00d .12, Ss	5
28	1033975	(000000-) Bracket, Mtg	1
29	1027267	(000000-) Mat, Floor	1
30	1020904	(000000-) Seal, Panl, Instmt	1
31	1020168	(000000-) Molding, Afmkt, Trim, Pvc, .08 .11, 1ft	1
32	80288	(002000-) Plug, Hole, Rnd, 0.81h, Blk	1
33	39277	(000000-) Screw, Hex, M8 X 1.25 X 25, 8.8	6
34	32491	(000000-) Washer, Flat, 0.31, Std	17
35	1035997	(002413-) Bracket Wldt, Mtg, Tank	1
36	06942	(000000-) Screw, Hex, M6 X 1.00 X 16, 8.8	2
37	32490	(000000-) Washer, Flat, 0.25, Std	2
38	08708	(000000-) Nut, Hex, Lock, M6 X 1.00, NI	2
39	1047295	(000000-) Seal, Foam, 0.50	1

Fig. 5 - Operator Station Insulation Group

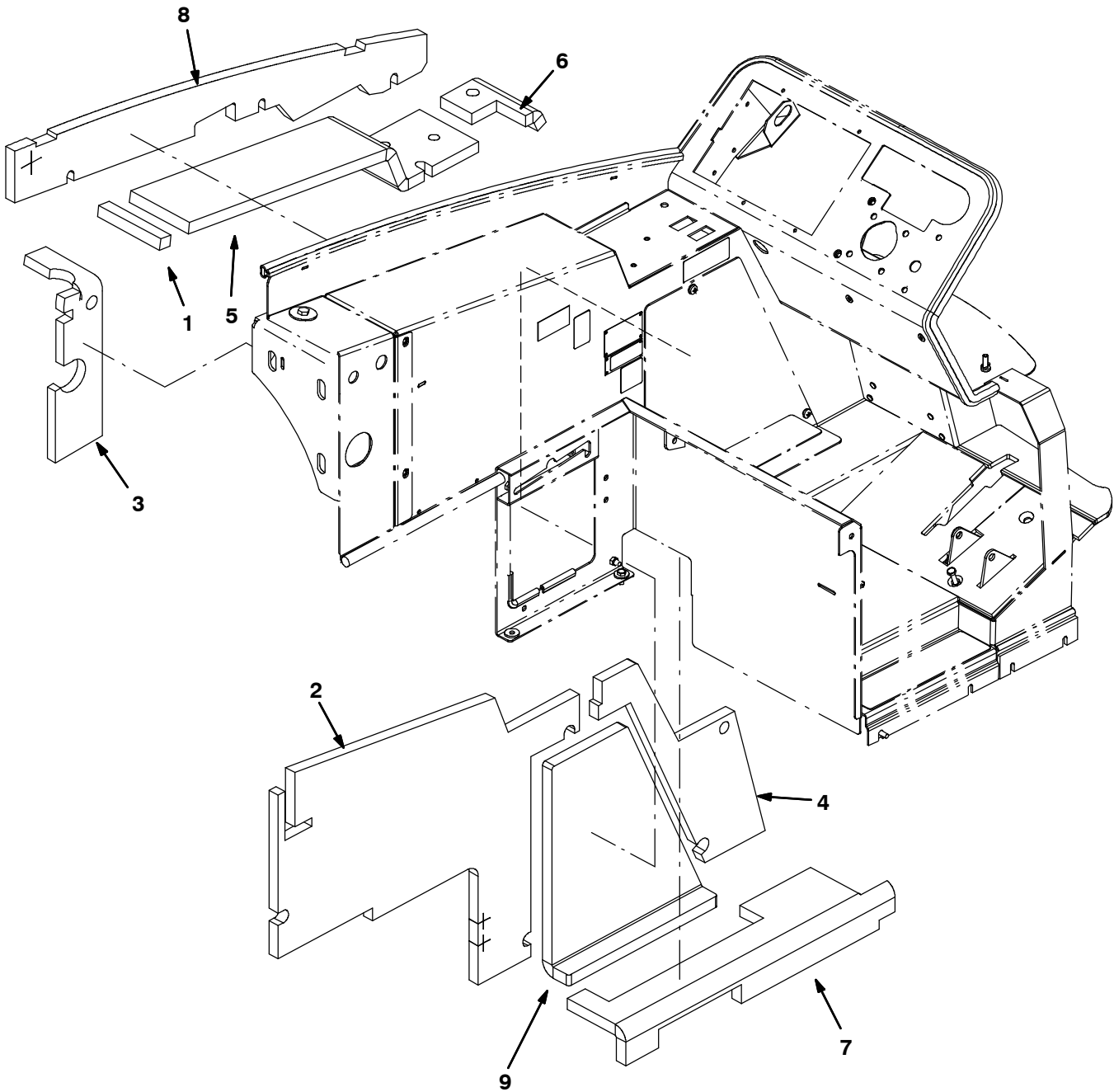


Fig. 5 - Operator Station Insulation Group

Ref.	Part No.	Serial Number	Description	Qty.
1	1034769	(000000-) Insulation, Flame-retardant, 0.75-0.88	1
2	1034765	(000000-) Insulation, Flame-retardant, 0.75-0.88	1
3	1040841	(000000-) Insulation, Flame-Retardant, 0.75-0.88	1
4	1023464	(000000-) Insulation, Flame-Retardant, 0.75-0.88	1
5	1034764	(000000-) Insulation, Flame-retardant, 0.75-0.88	1
6	1034766	(000000-) Insulation, Flame-retardant, 0.75-0.88	1
7	1034768	(000000-) Insulation, Flame-retardant, 0.75-0.88	1
8	1034770	(000000-) Insulation, Flame-retardant, 0.75-0.88	1
9	1023569	(000000-) Insulation, Flame-Retardant, 0.75-0.88	1

Fig. 6 - Instrument Panel Group

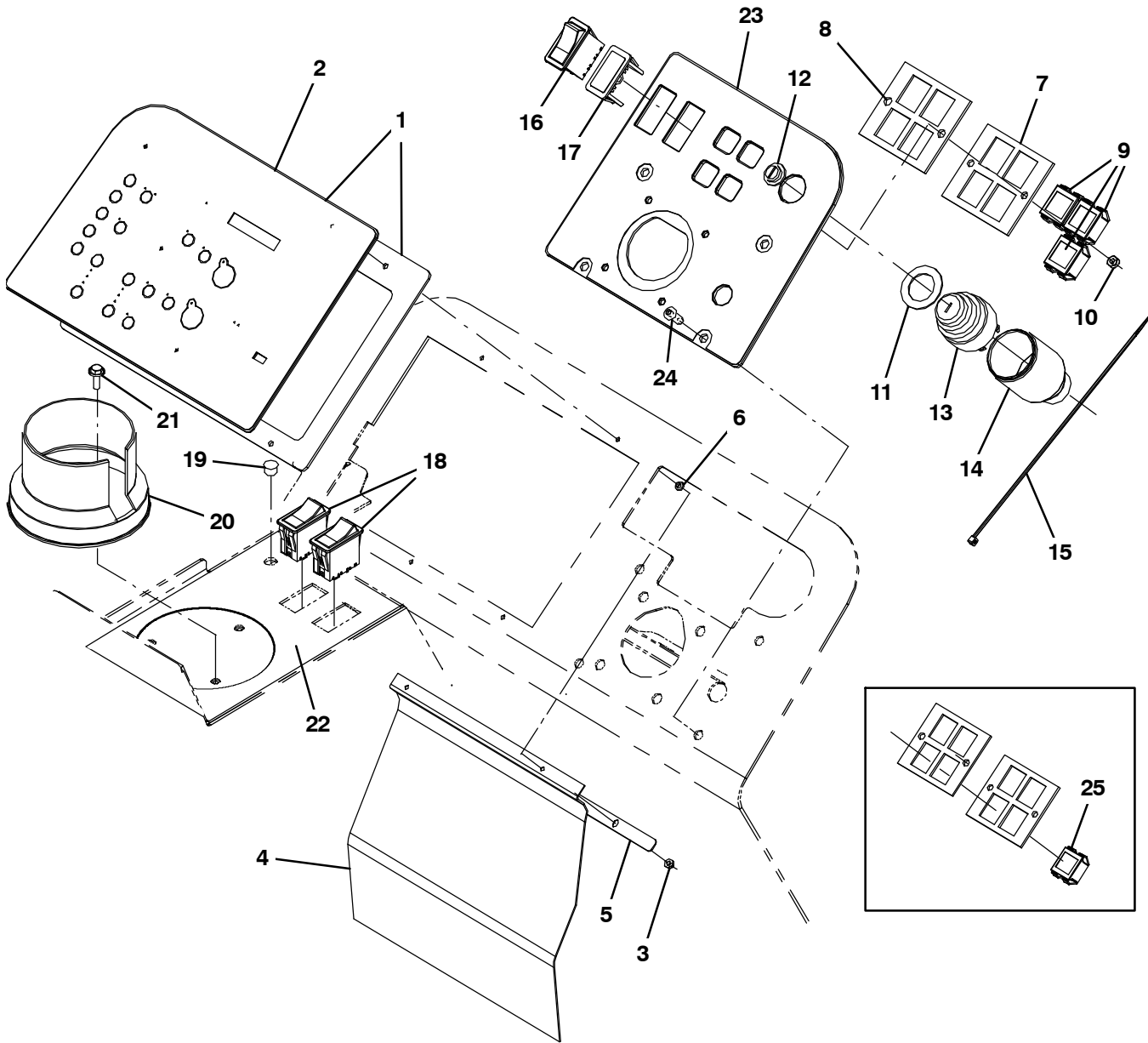


Fig. 6 - Instrument Panel Group

Ref.	Part No.	Serial Number	Description	Qty.
▽	1	9003453	(000000-) Panel Kit, Instmt, Repair [M20/M30]	1
▲	2	9002435	(000000-) Label Kit, Panel, Replmt [M20]	1
	3	16968	(000000-) Nut, Hex, Lock, #08-32, NI	4
	4	1028769	(000000-) Flap, Battery	1
	5	1028772	(000000-) Bar, Flat, Ss, .06 X .50 X 10.0l 2/.19sl	1
	6	1029362	(000000-) Washer, Shld, Nyl [8-32]	4
	7	361071	(000000-) Plate, Mtg, Light	1
	8	361073	(000000-) Seal, Rbr, Clsd, 0.13, Instmt Panl	1
	9	361075	(000000-) Light, Panl, 14vdc, , 1.1 X 1.0	3
	10	08712	(000000-) Nut, Hex, Lock, M6 X 1.0, Ss, NI	2
	11	73736	(000000-) Washer, Flat, 1.15b 1.75d .08, Stl	1
	12	382516	(000000-) Boot, .63id .29l .90w	1
▽	13	87536	(000000-) Switch, Ignition [Ku]	1
▲		87866	(000000-) Key, Ignition [Set Of 2]	1
	14	383165	(000000-) Boot, Switch, Ignition	1
	15	49266	(000000-) Tie, Cable, Nyl, 07.3l .19w 1.8 Max D	2
	16	392171	(000000-) Switch, Rocker, Dpdt On/Off/On	1
	17	398501	(000000-) Plug, Hole, Rt, Rocker Switch, .87 X 1.7	1
	18	398508	(000000-) Switch, Rocker, Dpdt Mom/Off/Mom	2
	19	56992	(000000-) Plug, Hole, Rnd, 0.50h .03-.12, Blk Nyl	1
	20	223599	(000000-) Cup Holder, Rwk	1
	21	1036892	(000000-) Screw, Hex, M6 X 1.00 X 25, 9.8 Sems	3
1024287	22	1027284	(000000-) Label, Switch, Rocker [T20 - M20]	1
	23	9004880	(000000-) Panel, Instmt, Rh, Gas, Replmt	1
	23	9002391	(000000-) Panel, Instmt, Rh, Lpg, Replmt	1
	23	9002392	(000000-) Panel, Instmt, Rh, Lpg, Replmt, Ce (Japan and CE Only)	1
	24	1031665	(000000-) Screw, Pan, M8 X 1.25 X 25, Blk	4
	25	361075	(000000-002886) Light, Panl, 14vdc, , 1.1 X 1.0	1

Fig. 7 - Seat Group

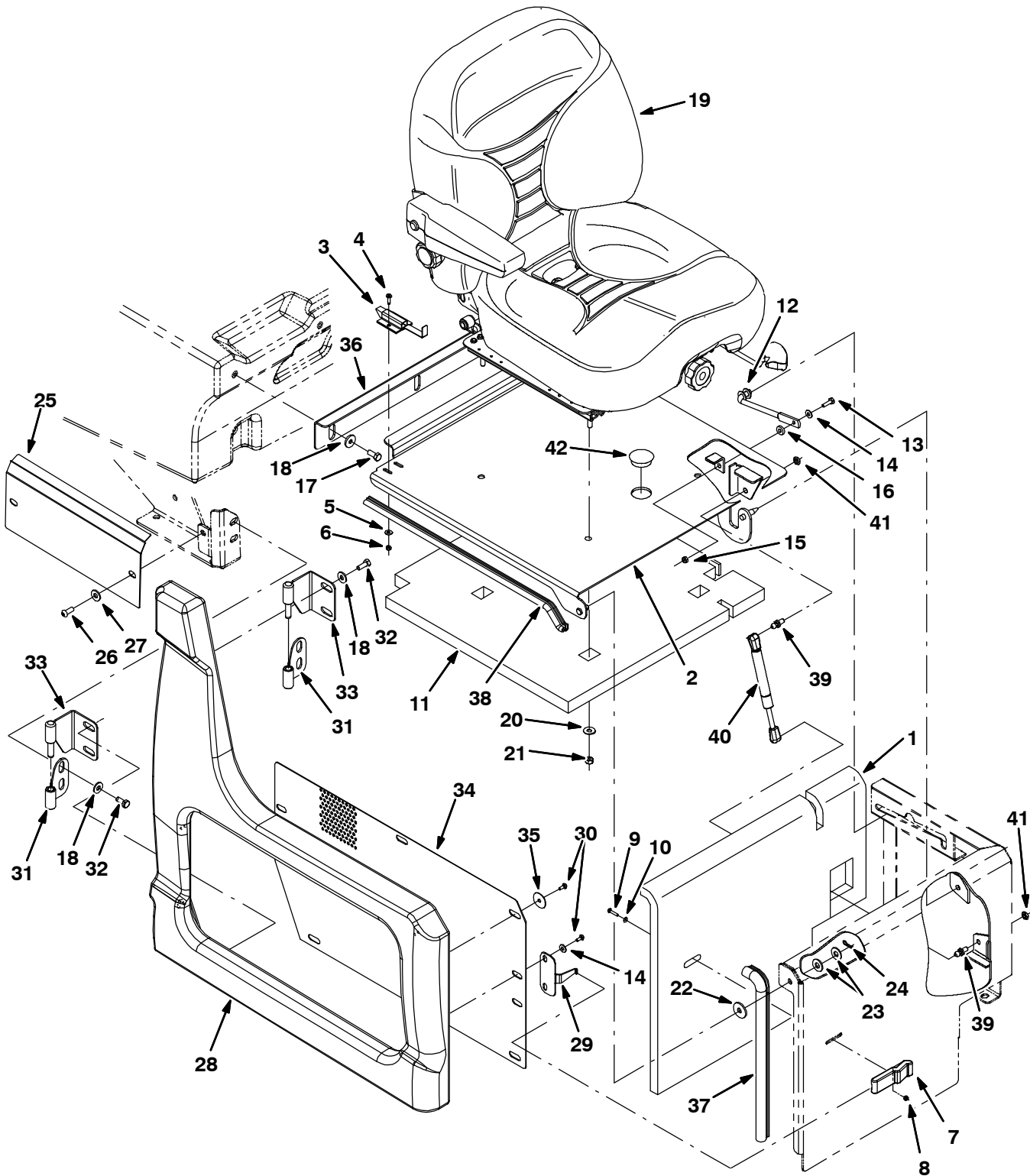


Fig. 7 - Seat Group

Ref.	Part No.	Serial Number	Description	Qty.
1	1034767	(000000-) Insulation, Flame-retardant, 0.75-0.88	1
2	1019228	(000000-) Plate Wldt, Seat	1
3	1025736	(000000-) Latch	1
4	09252	(000000-) Screw, Hex, M5 X 0.8 X 20, 8.8	2
5	19066	(000000-) Washer, Flat, #10	2
6	06549	(000000-) Nut, Hex, Lock, M5 X 0.8, NI	2
7	49800	(000000-) Latch	1
8	02850	(000000-) Nut, Hex, Lock, M4 X 0.7, NI	4
9	06929	(000000-) Screw, Pan, M4 X 0.7 X 25, 4.8	4
10	19065	(000000-) Washer, Flat, #08	2
11	1023499	(000000-) Insulation, Flame-Retardant, 1.0	1
12	223080	(000000-) Arm Wldt, Safety, Sppt, Seat, .38d 06.5d	1
13	06943	(000000-) Screw, Hex, M6 X 1.0 X 20, 8.8	1
14	32483	(000000-) Washer, Flat, 0.25 Sae	9
15	08708	(000000-) Nut, Hex, Lock, M6 X 1.0, NI	1
16	21851	(000000-) Spacer, Plstc, Ny	1
17	09740	(000000-) Screw, Hex, M8 X 1.25 X 20, Ss	3
18	1017218	(000000-) Washer, Flat, 0.32b 1.00d .12, Ss	11
19	1022105	(000000-) Seat, Suspension, W/1 Arm And Belt	1
20	32491	(000000-) Washer, Flat, 0.31, Std	4
21	32983	(000000-) Nut, Hex, Lock, .31-18, NI	4
22	364749	(000000-) Washer, Flat, 0.41b 1.25d .12, Pye	1
23	32492	(000000-) Washer, Flat, 0.38 Std	2
24	08085	(000000-) Pin, Cotter, Hair, 0.31d .058 Wir	1
25	1022005	(000000-) Cover, Lower	1
26	1031665	(000000-) Screw, Pan, M8 X 1.25 X 25, Blk	2
27	39349	(000000-) Washer, Flat, 0.31 Sae	2
28	1018776	(000000-) Shroud, Seat	1
29	1026825	(000000-) Bracket, Latch, Shrd, Seat	1
30	09200	(000000-) Screw, Pan, M5 X 0.8 X 12, Ss	8
31	1024464	(000000-) Hinge Wldt, Shrd, Rh	2
32	16931	(000000-) Screw, Hex, M8 X 1.25 X 20, 8.8	8
33	1024425	(000000-) Hinge Wldt, Shrd, Rh	2
34	1025916	(000000-) Grill, Side	1
35	41178	(000000-) Washer, Flat, 0.25 Fendr	6
36	1020487	(000000-) Bracket, Seat, Adj	1
37	1030588	(000000-) Seal, Afmkt, Bulb, 90, 0.75d F/11ga 02ft	1
38	1031206	(000000-) Seal, Afmkt, Bulb, 90, 0.50d, 02ft	1
39	58494	(001299-) Stud, Ball, .39d .31-16, Gasspring	2
40	368391	(001299-) Gasspring, 180lb, 03.0strk	1
41	01760	(001299-) Nut, Hex, Lock, .31-18, NI, Thin	2
42	76888	(002886-) Plug, Hole, Rnd, 1.25H .03-.12, Blk Nyl	1

Fig. 8 - Steering Group

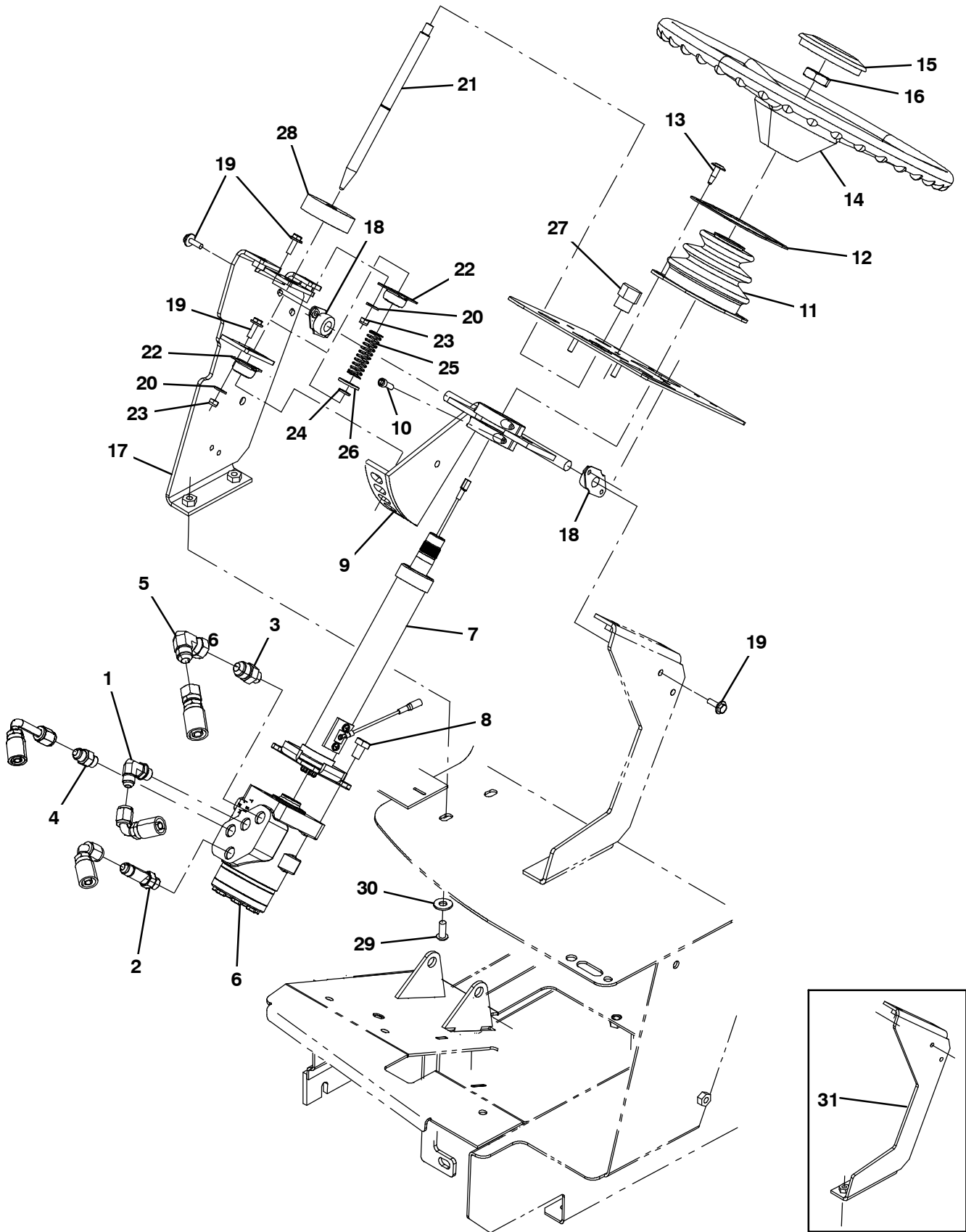


Fig. 8 - Steering Group

Ref.	Part No.	Serial Number	Description	Qty.	
1	56820	(000000-) Fitting, Hyd, E90, Jm06/Om06	1	
2	59577	(000000-) Fitting, Hyd, Str, Jm06/Om06, L	1	
3	56835	(000000-) Fitting, Hyd, Str, Jm08/Om06	1	
4	56690	(000000-) Fitting, Hyd, Str, Jm06/Om06	1	
5	17980	(000000-) Fitting, Hyd, E90, Jf08/Jm08	1	
6	1024260	(000000-) Steer-Control, Hyd#05, 06.1 2030 (See Breakdown)	1	
7	1021265	(000000-) Column, Steering, 09.9l 0.86d 36tooth	1	
8	06960	(000000-) Screw, Hex, M10 X 1.5 X 16, 8.8	4	
▽	9	73027	(000000-) Bracket Wldt, Steering, Tilt	1
▲	10	01681	(000000-) Screw, Soc, .25-20 X 0.75, Al	4
11	70622	(000000-) Boot, Bellows, 3.1l 4.4w 2.8h 1hole, Neo	1	
12	70623	(000000-) Retainer, Boot, Steering Column	1	
13	72970	(000000-) Rivet, Plstc, .250d X 0.898	4	
14	768481	(000000-) Wheel, Steering, 14.3d 0.81b 36tooth	1	
15	1024478	(000000-) Button, Cntrl, Horn	1	
16	56185	(000000-) Nut, Hex, Jam, M20 X 1.5	1	
17	1024695	(000000-) Bracket Wldt, Tilt, Rh	1	
18	70709	(000000-) Bearing, Flng, 2-Hole, 0.50b	2	
19	1040467	(000000-) Screw, Hex, M6 X 1.00 X 20, 9.8, Sems	8	
20	32483	(000000-) Washer, Flat, 0.25 Sae	4	
21	1023926	(000000-) Pin, Locking, Steering, Tilt	1	
22	47585	(000000-) Bearing, Flng, 2hole, 0.50b [Nyl]	2	
23	08708	(000000-) Nut, Hex, Lock, M6 X 1.0, NI	4	
24	70717	(000000-) Ring, Retaining, Ext, 0.50d, Hd	1	
25	22290	(000000-) Spring, Cmpr, 18.8d, 1.6w, 57.1l	1	
26	32486	(000000-) Washer, Flat, 0.50 Sae	1	
27	04706	(000000-) Knob, Tee, 2.5x1.0 1.1l 0.38-16 Plstc	1	
28	75968	(000000-) Insulation, Acstc, Rnd, 0.8, 02.5d 0.5h	1	
29	1031665	(000000-) Screw, Pan, M8 X 1.25 X 25, Blk	2	
30	32491	(000000-) Washer, Flat, 0.31, Std	2	
31	1024157	(000000-001052)	Bracket, Tilt, Lh	1	

Fig. 9 - Front Cover Group

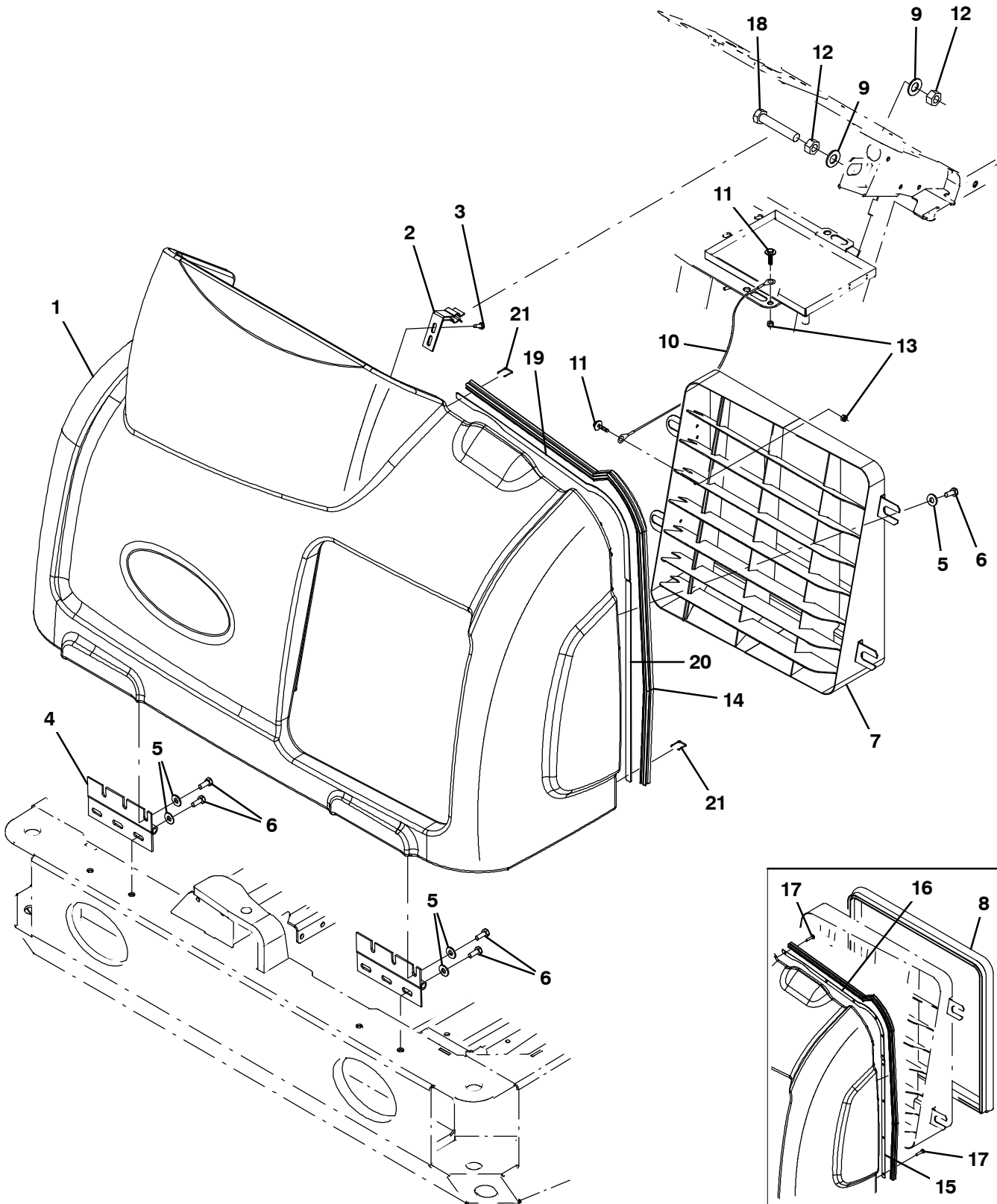


Fig. 9 - Front Cover Group

Ref.	Part No.	Serial Number	Description	Qty.
1	1022069	(000000-) Shroud, Front, Trimmed	1
2	1008916	(000000-) Bracket Wldt, Latch	1
3	06942	(000000-) Screw, Hex, M6 X 1.0 X 16, 8.8	2
4	71941	(000000-) Hinge, .38pin .11 3.5w 06.0l 6/0.38sl	2
5	32491	(000000-) Washer, Flat, 0.31, Std	14
6	16931	(000000-) Screw, Hex, M8 X 1.25 X 20, 8.8	14
7	1035068	(000000-) Grill Wldt, Front	1
8	1031557	(000000-001277) Seal, Afmkt, Bulb, Str, 1.0d F/11ga 08ft	1
9	15331	(000000-) Washer, Flat, 0.62 Sae	2
10	391368	(000000-) Cable, Glv .09d 016.5l .38eye /.38eye	1
11	1040467	(000000-) Screw, Hex, M6 X 1.00 X 20, 9.8, Sems	2
12	07782	(000000-) Nut, Hex, Std, M16 X 2.0	2
13	08708	(000000-) Nut, Hex, Lock, M6 X 1.0, NI	2
14	1031543	(000000-) Seal, Afmkt, Sponge, 0.88 1.00w 08ft	1
15	1029652	(000000-002064) Plate, Mtg, Seal	1
16	1029545	(000000-002064) Plate, Mtg, Seal	1
17	20394	(000000-002064) Screw, Hex, #10-16 X 0.62, Fmg, [Ab]	10
18	06988	(000000-) Screw, Hex, M16 X 2.0 X 90, 8.8	1
19	1037970	(002065-) Strip Mtg, Seal	1
20	1037971	(002065-) Strip Mtg, Seal	1
21	1037972	(002065-) Fastener, 12.7Mm X 9.5Mm, Ss [Staple]	20

Fig. 10 - Engine Cover Group

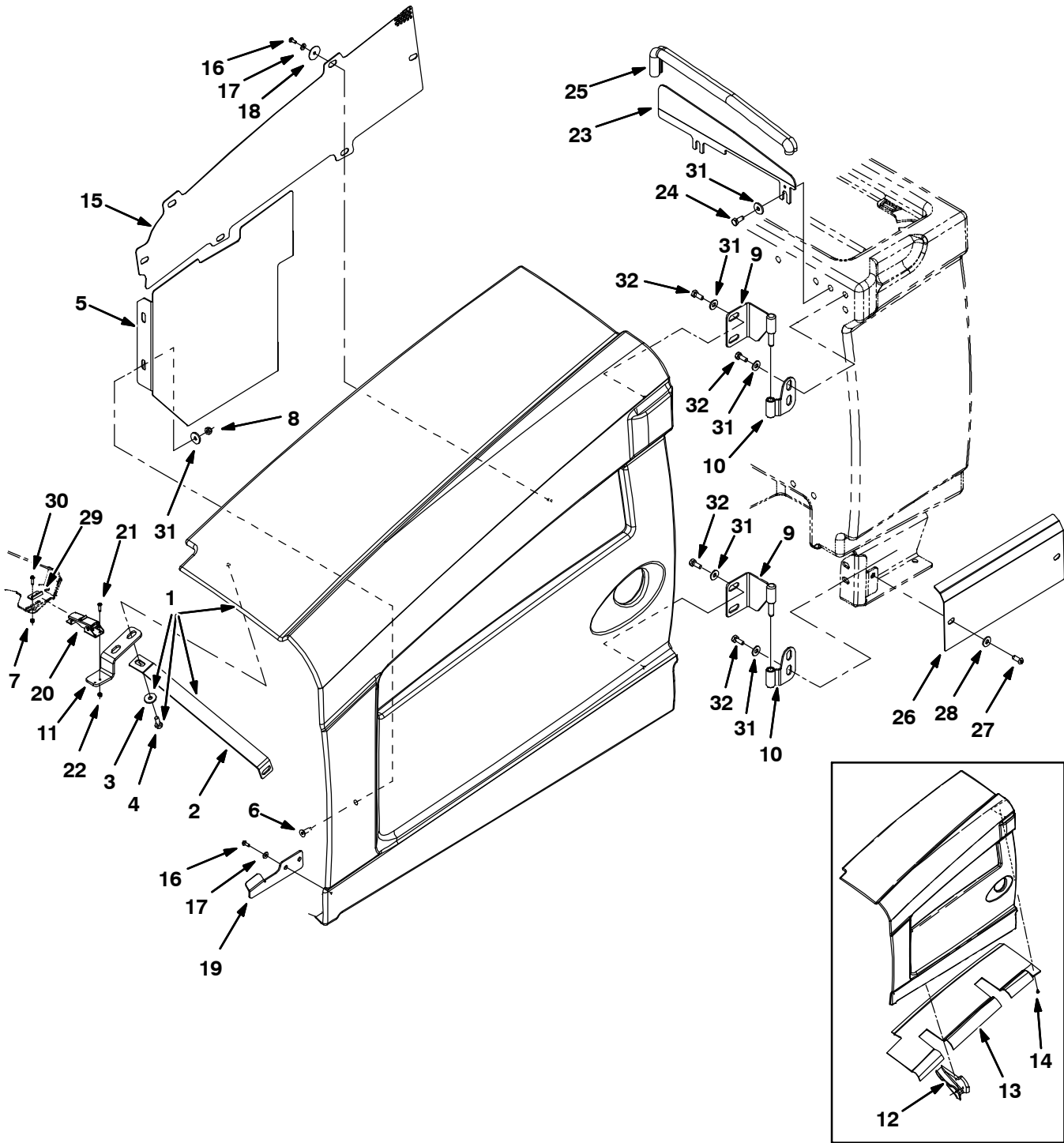


Fig. 10 - Engine Cover Group

Ref.	Part No.	Serial Number	Description	Qty.
▽	1	1033156	(000000-) Shroud Assy, Eng	1
▲	2	1026628	(000000-) Angle, Brace, Shrd	1
▲	3	1017218	(000000-) Washer, Flat, 0.32b 1.00d .12, Ss	2
▲	4	16931	(000000-) Screw, Hex, M8 X 1.25 X 20, 8.8	2
	5	1022004	(000000-) Bracket, Shield, Heat	1
	6	74077	(000000-) Screw, Flt, M8 X 1.25 X 25	4
	7	33932	(000000-) Nut, Hex, Lock, M4 X 0.7, NI, Ss	2
	8	08709	(000000-) Nut, Hex, Lock, M8 X 1.25, NI	4
	9	1024500	(000000-) Hinge Wldt, Shrd, Lh	2
	10	1025196	(000000-) Hinge Wldt, Shrd, Lh	2
	11	1020186	(000000-) Bracket, Latch, Cover	1
	12	1028516	(000000-001327) Insulation, Shrd, Eng, Gusset	1
	13	1026665	(000000-001327) Insulation, Flame-Retardant, 0.5	1
	14	21168	(000000-001327) Clip, .250h, Plstc [Pine-Tree]	14
	15	1026726	(000000-) Grill, Eng	1
	16	09200	(000000-) Screw, Pan, M5 X 0.8 X 12, Ss	8
	17	19066	(000000-) Washer, Flat, #10	8
	18	41178	(000000-) Washer, Flat, 0.25 Fendr	6
	19	1028412	(000000-) Bracket, Guide, Shrd	1
	20	384418	(000000-) Latch, Door [Southco 91-562-07]	1
	21	06927	(000000-) Screw, Pan, M4 X 0.7 X 16, 4.8	2
	22	02850	(000000-) Nut, Hex, Lock, M4 X 0.7, NI	2
	23	1025806	(000000-) Plate, Seal, Sound	1
	24	09740	(000000-) Screw, Hex, M8 X 1.25 X 20, Ss	2
	25	1030588	(000000-) Seal, Afrmkt, Bulb, 90, 0.75d F/11ga 02ft	2
	26	1022005	(000000-) Cover, Lower	1
	27	1031665	(000000-) Screw, Pan, M8 X 1.25 X 25, Blk	2
	28	39349	(000000-) Washer, Flat, 0.31 Sae	2
	29	384419	(000000-) Bracket, Latch, Keeper [Southco]	1
	30	24265	(000000-) Screw, Pan, M4 X 0.7 X 16, Ss	2
	31	1017218	(000000-) Washer, Flat, 0.32b 1.00d .12, Ss	15
	32	16931	(000000-) Screw, Hex, M8 X 1.25 X 20, 8.8	7

Fig. 11 - Engine and Mount Group

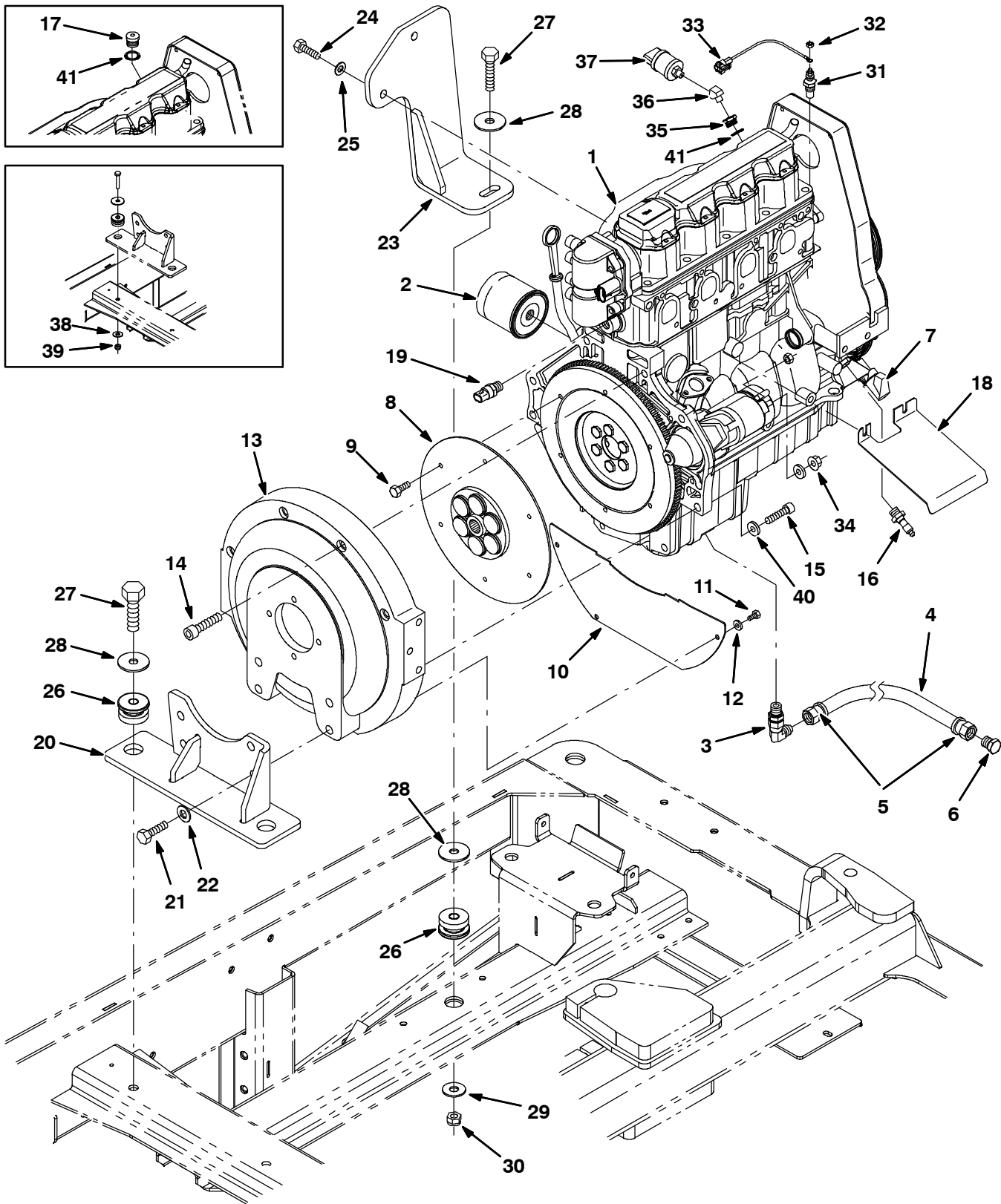


Fig. 11 - Engine and Mount Group

Ref.	Part No.	Serial Number	Description	Qty.
▽	1	372862	(000000-) Engine [Long Block Gm 1.6l] (See Breakdown)	1
▲	2	371972	(000000-) Element, Fltr, Oil, Eng, Spin-On	1
	3	372541	(000000-) Fitting, E90, M14 X .56	1
	4	371855	(000000-) Hose, Hyd, 26.0l	1
	5	371876	(000000-) Fitting, End, Hose	2
	6	371890	(000000-) Fitting, Pipe, Plug	1
	7	372002	(000000-) Sensor, Position, Cshft	1
	8	371866	(000000-) Coupling, Drive, 13t	1
	9	372554	(000000-) Screw, Hex, M07-1.00 X 23.0, 8.8	6
	10	371868	(000000-) Cover, Hsng, Flywheel	1
	11	19315	(000000-) Screw, Hex, .25-20 X 0.50, 5	4
	12	32490	(000000-) Washer, Flat, 0.25 Std	4
	13	371869	(000000-) Housing, Pump	1
	14	371870	(000000-) Screw, Soc, M12 X 1.75 X 55, 10.9	4
	15	10832	(000000-) Screw, Soc, .38-16 X 1.50, Al	2
	16	371996	(000000-) Switch, Indicator, Oil Press	1
	17	371860	(000000-001999) Fitting, Pipe, Plug, Metric, M18,Soc	1
	18	372556	(000000-) Shield, Starter [1.6l]	1
	19	372953	(000000-) Sensor, Temp, Coolant	1
	20	1023288	(000000-) Bracket Wldt, Mtg, Eng, Back, Gas/Lpg	1
	21	39810	(000000-) Screw, Hex, .50-13 X 1.25, 5	4
	22	32486	(000000-) Washer, Flat, 0.50 Sae	4
	23	1011353	(000000-) Mount Wldt, Eng, Gas/Lpg	1
	24	39283	(000000-) Screw, Hex, M10 X 1.5 X 25, 8.8	2
	25	32485	(000000-) Washer, Flat, 0.38 Sae	2
	26	51176	(000000-) Isolator, Vib, .50d	3
	27	06972	(000000-) Screw, Hex, M12 X 1.75 X 60, 8.8	3
	28	04414	(000000-) Washer, Flat, 0.53b 1.88d .12, Stl, Pl	4
	29	32493	(000000-) Washer, Flat, 0.50 Std	1
	30	08711	(000000-) Nut, Hex, Lock, M12 X 1.75,NI	1
	31	1042028	(000000-) Sensor, Temp, Water [Rework For 1.6GM]	1
	32	50335	(000000-) Nut, Hex, Std, M5 X 0.8, 8	1
	33	1030073	(000000-) Wire, 16ga 09.6l Brown Mp280/ #10ring	1
	34	41361	(000000-) Nut, Hex, Std, M8 X 1.25, Brs	1
	35	1031439	(002000-) Fitting, Pipe, Bshg, M18 X 1.5	1
	36	24976	(002000-) Fitting, Brs, E45, Pf02/Pm02	1
	37	79399	(002000-) Switch, Press, 0006psi Dpdt	1
	38	32493	(000000-001337) Washer, Flat, 0.50, Std	2
	39	08711	(000000-001337) Nut, Hex, Lock, M12 X 1.75,NI	2
	40	371877	(000000-) Washer, Flat, 0.38, Hardened	2
	41	385029	(000000-) Gasket, Plug, Relief Valve,Oil Press	1

Fig. 12 - Engine EFI Group, Gasoline (000000-001999)

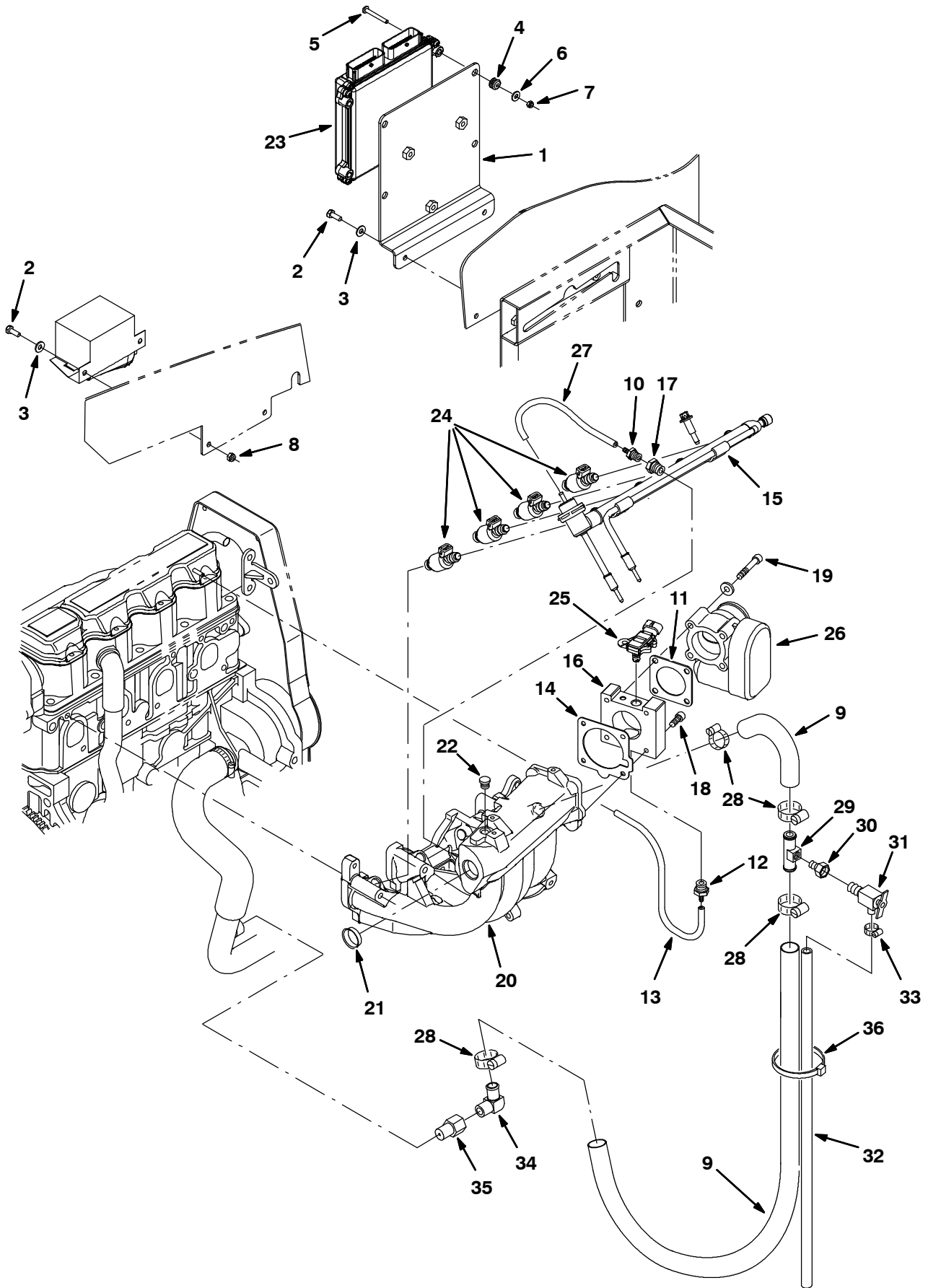


Fig. 12 - Engine EFI Group, Gasoline (000000-001999)

Ref.	Part No.	Serial Number	Description	Qty.
1	1018939	(000000-001999)	Bracket, Mtg [Ecu]	1
2	06942	(000000-001999)	Screw, Hex, M6 X 1.0 X 16, 8.8	4
3	32483	(000000-001999)	Washer, Flat, 0.25 Sae	4
4	46314	(000000-001999)	Grommet, Rbr, 0.20id, F/0.4h, .12 Matl	4
5	06938	(000000-001999)	Screw, Pan, M5 X 0.8 X 40, 4.8	4
6	01683	(000000-001999)	Washer, Flat, #10, Ss	8
7	06549	(000000-001999)	Nut, Hex, Lock, M5 X 0.8, NI	4
8	08708	(000000-001999)	Nut, Hex, Lock, M6 X 1.0, NI	2
9	1022364	(000000-001999)	Hose, Heater	1
10	372542	(000000-001999)	Fitting, Str, .19brb X .12mpt	1
11	372545	(000000-001999)	Qd36Gasket, Body, Throttle [1.6l]	1
12	372543	(000000-001999)	Fitting, Vacuum [M16-15-6h]	1
13	372489	(000000-001999)	Hose, 9.5mm X 450mm [Pcv]	1
14	372544	(000000-001999)	Gasket, Manifold, Intake	1
15	372566	(000000-001999)	Rail, Injector, Gas, W/ Press Reg	1
16	372534	(000000-001999)	Adapter, Intake, Throttle Body	1
17	372537	(000000-001999)	Bushing, M06-1.50 X .25-27npt	1
18	06532	(000000-001999)	Screw, Soc, M6 X 1.0 X 25, 12.9	4
19	07255	(000000-001999)	Screw, Soc, M6 X 1.0 X 45, 12.9	4
20	372547	(000000-001999)	Manifold, Intake [1.6l]	1
21	372549	(000000-001999)	Plug, Manifold, Intake	1
22	372550	(000000-001999)	Plug, Port, Sensor [Map]	1
23	372858	(000000-001999)	Module, Ecu, Gas [Gm 1.6l]	1
24	372563	(000000-001999)	Injector Kit, Fuel, Gas	4
25	372493	(000000-001999)	Sensor [Tmap]	1
26	372486	(000000-001999)	Injector Kit, Fuel, Gas	1
27	372546	(000000-001999)	Hose, Fuel, .19	1
28	63810	(000000-001999)	Clamp, Hose, Wormdrive, 0.56-1.06d, .56w	4
29	83578	(000000-001999)	Tube, Air Bleed, .62d 2.2l .12npt Alm	1
30	1015930	(000000-001999)	Fitting, Brs, Str, Pf04/Pm02	1
31	51305	(000000-001999)	Fitting, Draincock, E90, .25npt	1
32	73471	(000000-001999)	Hose, Pvc, Clr, 0.38id 0.56od 22.00l	1
33	43844	(000000-001999)	Clamp, Hose, Wormdrive, 0.25-0.62d, .31w	1
34	51839	(000000-001999)	Fitting, Brs, E90, Em10/Pm06	1
35	1015547	(000000-001999)	Fitting, Adapter, Orifice, Pf06/Pm06	1
36	49266	(000000-001999)	Tie, Cable, Nyl, 07.3l .19w 1.8 Max D	1

STANDARD PARTS

Fig. 13 - Engine EFI Group, Gasoline (002000-)

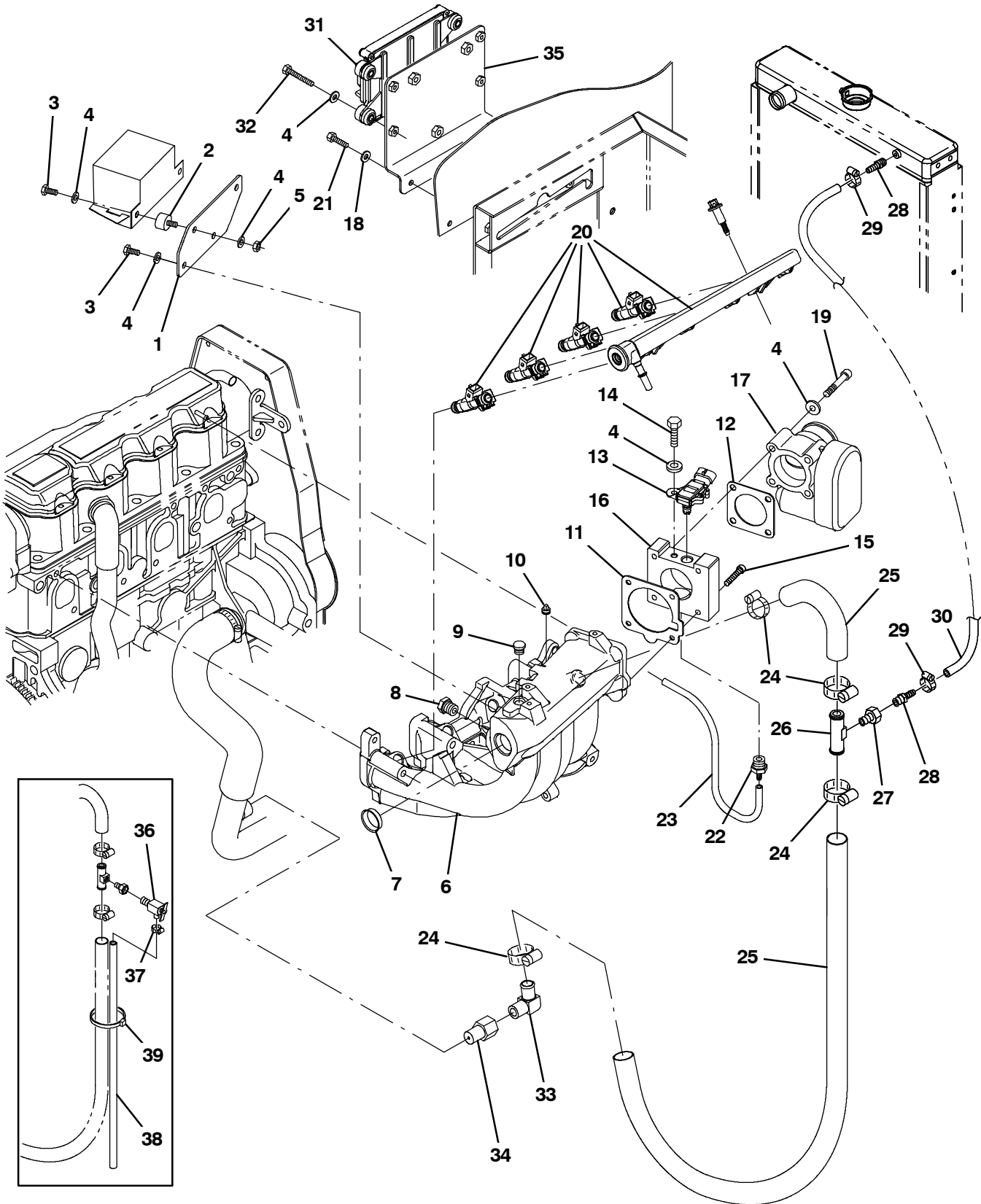


Fig. 13 - Engine EFI Group, Gasoline (002000-)

Ref.	Part No.	Serial Number	Description	Qty.	
1	1031312	(002000-) Plate, Mtg, Relay	1	
2	372470	(002000-) Isolator, Box, Relay	2	
3	19315	(002000-) Screw, Hex, .25-20 X 0.50, G5	4	
4	32490	(002000-) Washer, Flat, 0.25, Std	13	
5	19312	(002000-) Nut, Hex, Std, .25-20	2	
6	372547	(002000-) Manifold, Intake [1.6l]	1	
7	372549	(002000-) Plug, Manifold, Intake	1	
8	384995	(002000-) Fitting, Plug, M16, Intake Manifold	1	
9	372550	(002000-) Plug, Port, Sensor [Map]	1	
10	372548	(002000-) Plug, .12npt, Ss	1	
▽	9003390	(002000-) Gasket Kit, Repair, Gas [Gm1.6l 2007]	1	
▲	11	372544	(002000-) Gasket, Manifold, Intake	1
▲	12	372545	(002000-) Gasket, Body, Throttle [1.6l]	1
13	384985	(002000-) Sensor [T Map]	1	
14	19317	(002000-) Screw, Hex, .25-20 X 0.75, G5	1	
15	06532	(002000-) Screw, Soc, M6 X 1.00 X 25, 12.9	4	
16	372534	(002000-) Adapter, Intake, Throttle Body	1	
17	384974	(002000-) Housing, Throttle, 40mm [Bosch]	1	
18	32483	(002000-) Washer, Flat, 0.25, Sae	2	
19	07255	(002000-) Screw, Soc, M6 X 1.00 X 45, 12.9	4	
20	384992	(002000-) Rail, Injector, Fuel, Plstc	1	
21	06942	(002000-) Screw, Hex, M6 X 1.00 X 16, 8.8	2	
22	372543	(002000-) Fitting, Vacuum [M16-15-6h]	1	
23	384972	(002000-) Hose, Vacuum, 0.22id X 03.0l	1	
24	63810	(002000-) Clamp, Hose, Wormdrive, 0.56-1.06d, .56w	4	
25	1022364	(002000-) Hose, Heater	1	
26	83578	(002000-) Tube, Bleed, Air, .62od 2.2l .12npt, Alm	1	
27	1015930	(002000-) Fitting, Brs, Str, Pf04/Pm02	2	
28	150516	(002493-) Fitting, Brs, Str, Bm06/Pm05	2	
29	54333	(002493-) Clamp, Hose, Wormdrive, 0.31-0.88d, .31w	2	
30	1043481	(002493-) Hose, Heater, 0.38ID	1	
31	1028711	(002000-) Module, Ecu, Gas [Gm1.6l 2700]	1	
32	06946	(002000-) Screw, Hex, M6 X 1.00 X 35, 8.8	1	
33	51839	(002000-) Fitting, Brs, E90, Em10/Pm06	1	
34	1015547	(002000-) Fitting, Adapter, Orifice, Pf06/Pm06	1	
35	1029082	(002000-) Bracket, Mtg, Ecu [M20/T20 2007]	1	
36	51305	(002000-002492)) Fitting, Draincock, E90, .25npt	1	
37	43844	(002000-002492)) Clamp, Hose, Wormdrive, 0.25-0.62d, .31w	1	
38	73471	(002000-002492)) Hose, Pvc, Clr, 0.38id 0.56od 022.0l	1	
39	49266	(002000-002492)) Tie, Cable, Nyl, 07.3l .19w 1.8 Max D	1	

Fig. 14 - Engine EFI Group, LPG (000000-001999)

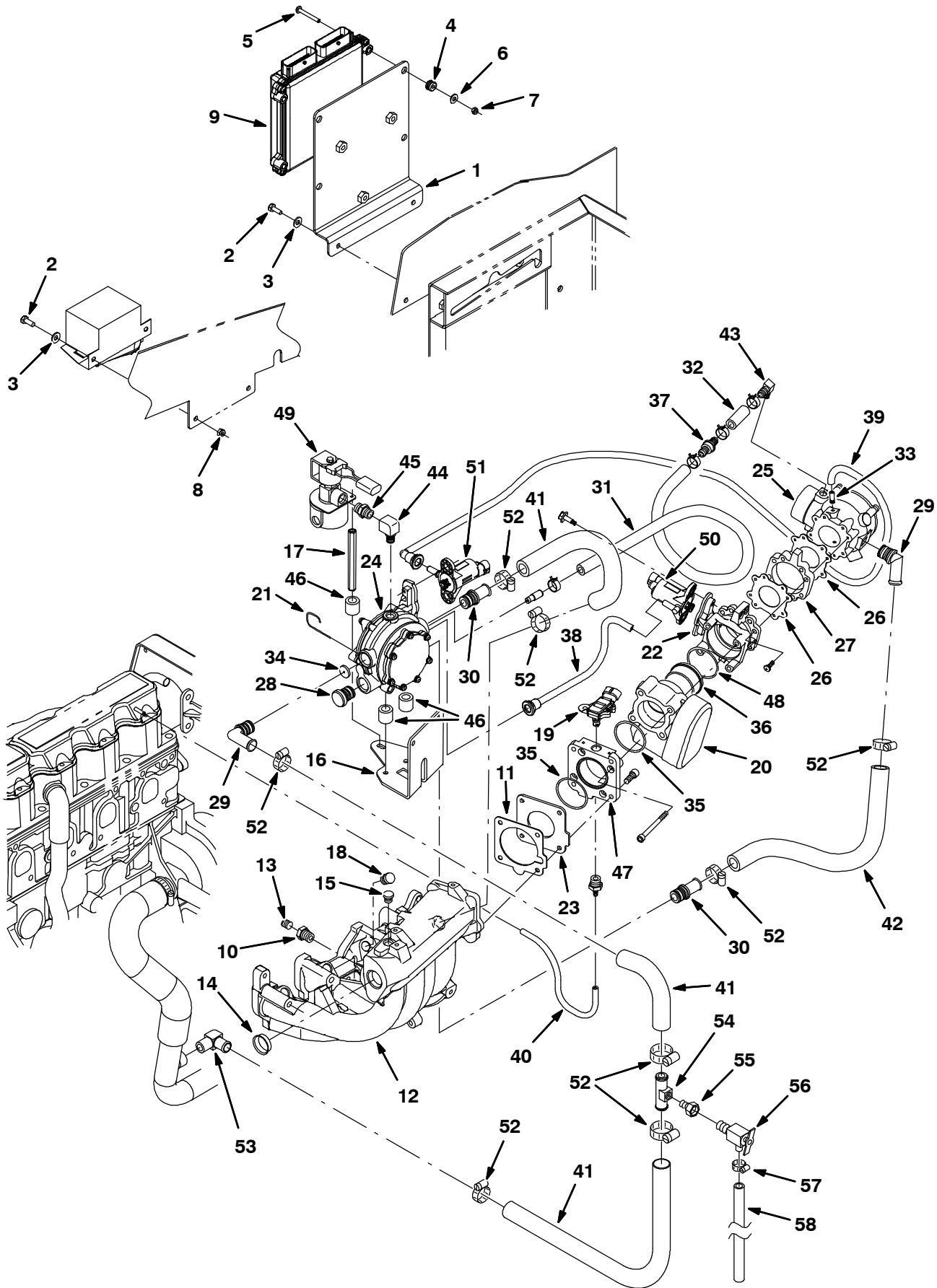


Fig. 14 - Engine EFI Group, LPG (000000-001999)

Ref.	Part No.	Serial Number	Description	Qty.	
1	1018939	(000000-001999)	Bracket, Mtg [Ecu]	1	
2	06942	(000000-001999)	Screw, Hex, M6 X 1.0 X 16, 8.8	4	
3	32483	(000000-001999)	Washer, Flat, 0.25 Sae	4	
4	46314	(000000-001999)	Grommet, Rbr, 0.20id, F/0.4h, .12 Matl	4	
5	06938	(000000-001999)	Screw, Pan, M5 X 0.8 X 40, 4.8	4	
6	01683	(000000-001999)	Washer, Flat, #10, Ss	8	
7	06549	(000000-001999)	Nut, Hex, Lock, M5 X 0.8, NI	4	
8	08708	(000000-001999)	Nut, Hex, Lock, M6 X 1.0, NI	2	
9	372857	(000000-001999)	Module, Ecu, Lpg [Gm 1.6l]	1	
10	372537	(000000-001999)	Bushing, M06-1.50 X .25-27npt	1	
11	372544	(000000-001999)	Gasket, Manifold, Intake	1	
12	372547	(000000-001999)	Manifold, Intake [1.6l]	1	
13	372548	(000000-001999)	Plug, .12npt, Ss	1	
14	372549	(000000-001999)	Plug, Manifold, Intake	1	
15	372550	(000000-001999)	Plug, Port, Sensor [Map]	1	
16	372576	(000000-001999)	Bracket, Reg [1.6l]	1	
17	372577	(000000-001999)	Spacer, Sppt, Fltr Lock Off	1	
18	372579	(000000-001999)	Plug, Hole, Injector	1 4	
19	372493	(000000-001999)	Sensor [Tmap]	1	
20	372482	(000000-001999)	Housing, Throttle, 40mm [Bosch]	1	
21	372523	(000000-001999)	Pin, Retainer	5	
22	372580	(000000-001999)	Adapter, Valve, Fuel Trim	1	
23	372582	(000000-001999)	Adapter, Plate	1	
24	372500	(000000-001999)	Converter, Lpg	1	
25	372898	(000000-001999)	Mixer, Lpg [Gm 1.6l]	1	
26	372608	(000000-001999)	Gasket	2	
27	372612	(000000-001999)	Adapter, Throttle Body	1	
28	372515	(000000-001999)	Fitting, Cap	1	
29	372512	(000000-001999)	Fitting, E70	2	
30	372514	(000000-001999)	Fitting, Str	2	
31	372506	(000000-001999)	Hose, Balancing, Press, 680mm	1	
32	372507	(000000-001999)	Hose, Balancing, Press, 045mm	1	
33	372511	(000000-001999)	Fitting, Hose, Vacuum, .25	1	
34	372517	(000000-001999)	Restrictor, Jet, Coolant	1	
35	372484	(000000-001999)	Seal, Org	1	
36	372498	(000000-001999)	Sleeve, Throttle, Plstc [Bosch]	1	
37	372569	(000000-001999)	Valve, Check	1	
38	372609	(000000-001999)	Hose, 170mm [Ftv-Ptv]	1	
39	372605	(000000-001999)	Hose, Valve, Press Trim, 350mm	1	
40	372607	(000000-001999)	Hose, 9.5mm X 290mm [Pcv]	1	
41	372528	(000000-001999)	Hose, Mold, .62 To .75	1	
42	372606	(000000-001999)	Hose, 355mm [Fl-Vrp]	1	
43	372510	(000000-001999)	Fitting, E90	1	
44	372611	(000000-001999)	Fitting, Str, E90, .25npt	1	
45	372610	(000000-001999)	Fitting, Nipple, .25npt, Brs	1	
46	372518	(000000-001999)	Isolator, Mtg, Vaporizer, Rbr	3	
47	372558	(000000-001999)	Adapter [1.6l]	1	
48	372613	(000000-001999)	Seal, Org, Throttle Body	1	
▽	49	372503	(000000-001999)	Valve, Fuelock, Lpg, Wire Connector	1
▲		372615	(000000-001999)	Filter Kit, Fuelock, Lpg	1

Fig. 14 - Engine EFI Group, LPG (000000-001999)

Ref.	Part No.	Serial Number	Description	Qty.
50	372501	(000000-001999)	Valve, Trim, Fuel, Normal Flow	1
51	372497	(000000-001999)	Valve, Body, Throttle, Lpg	1
52	63810	(000000-001999)	Clamp, Hose, Wormdrive, 0.56-1.06d, .56w	9
53	51839	(000000-001999)	Fitting, Brs, E90, Em10/Pm06	1
54	83578	(000000-001999)	Tube, Air Bleed, .62d 2.2l .12npt Alm	1
55	1015930	(000000-001999)	Fitting, Brs, Str, Pf04/Pm02	1
56	51305	(000000-001999)	Fitting, Draincock, E90, .25npt	1
57	43844	(000000-001999)	Clamp, Hose, Wormdrive, 0.25-0.62d, .31w	1
58	73471	(000000-001999)	Hose, Pvc, Clr, 0.38id 0.56od 22.00l	1

Fig. 15 - Engine EFI Group, LPG (002000-)

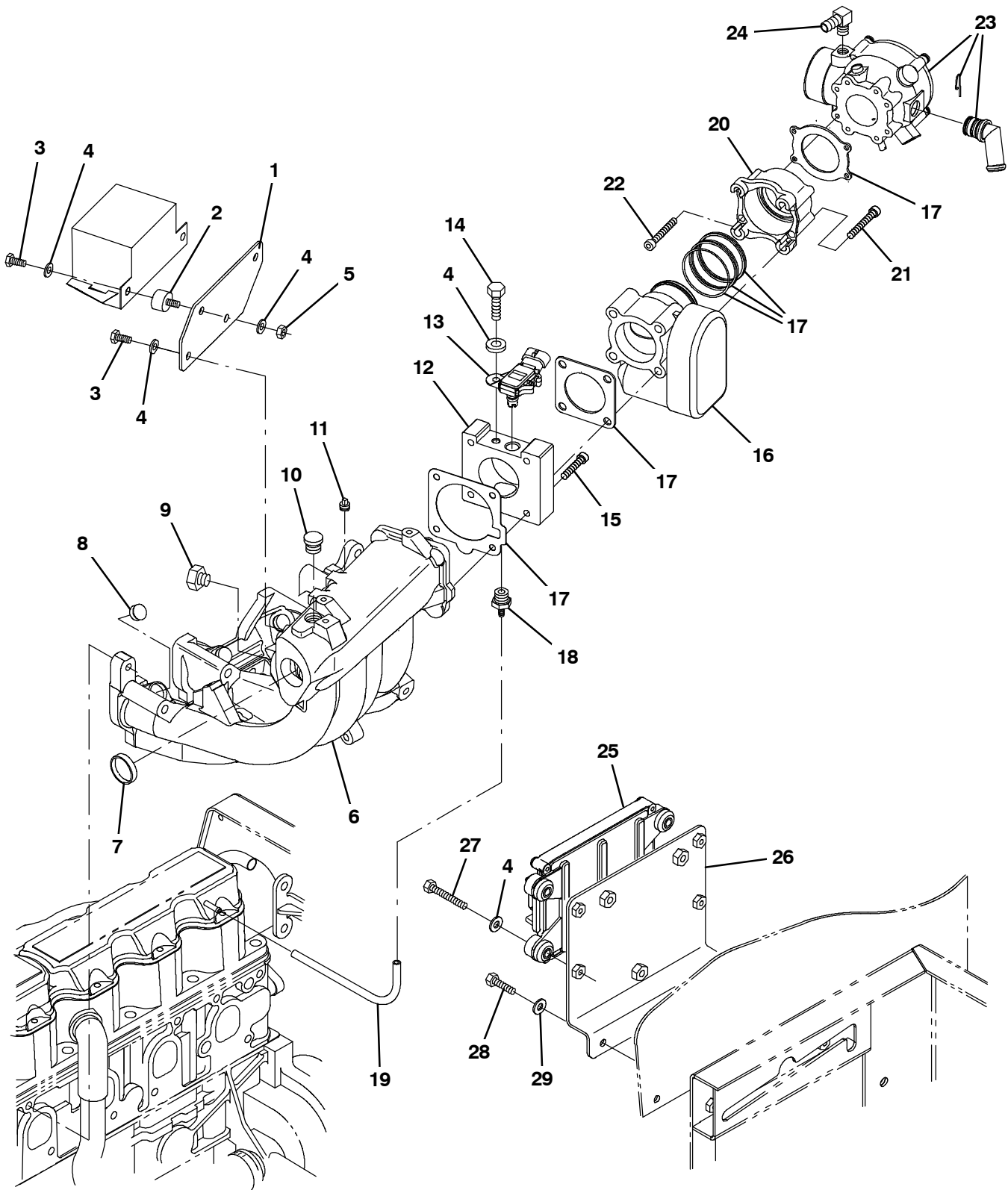


Fig. 15 - Engine EFI Group, LPG (002000-)

Ref.	Part No.	Serial Number	Description	Qty.
1	1031312	(002000-) Plate, Mtg, Relay	1
2	372470	(002000-) Isolator, Box, Relay	2
3	19315	(002000-) Screw, Hex, .25-20 X 0.50, G5	4
4	32490	(002000-) Washer, Flat, 0.25, Std	9
5	19312	(002000-) Nut, Hex, Std, .25-20	2
6	372547	(002000-) Manifold, Intake [1.6l]	1
7	372549	(002000-) Plug, Manifold, Intake	1
8	372579	(002000-) Plug, Hole, Injector	4
9	384995	(002000-) Fitting, Plug, M16, Intake Manifold	1
10	372550	(002000-) Plug, Port, Sensor [Map]	1
11	372548	(002000-) Plug, .12npt, Ss	1
12	372534	(002000-) Adapter, Intake, Throttle Body	1
13	384985	(002000-) Sensor [T Map]	1
14	19317	(002000-) Screw, Hex, .25-20 X 0.75, G5	1
15	06532	(002000-) Screw, Soc, M6 X 1.00 X 25, 12.9	4
16	384974	(002000-) Housing, Throttle, 40mm [Bosch]	1
17	9003391	(002000-) Gasket Kit, Repair, Lpg [Gm1.6l 2007]	1
18	372543	(002000-) Fitting, Vacuum [M16-15-6h]	1
19	384972	(002000-) Hose, Vacuum, 0.22id X 03.0l	1
20	384996	(002000-) Adapter, Valve, 400mm [Bosch]	1
21	09037	(002000-) Screw, Soc, M8 X 1.25 X 70, 12.9	4
22	384991	(002000-) Bolt, Soc Head, M5 X 80 X 35	4
23	384980	(002000-) Mixer, W/70deg Ftg	1
24	384976	(002000-) Fitting, E90	1
25	1028722	(002000-) Module, Ecu, Lpg [Gm1.6l 2700]	1
26	1029082	(002000-) Bracket, Mtg, Ecu	1
27	06946	(002000-) Screw, Hex, M6 X 1.00 X 35, 8.8	4
28	06942	(002000-) Screw, Hex, M6 X 1.00 X 16, 8.8	2
29	32483	(002000-) Washer, Flat, 0.25, Sae	2

Fig. 16 - Engine Vaporizer Group, LPG (002000-)

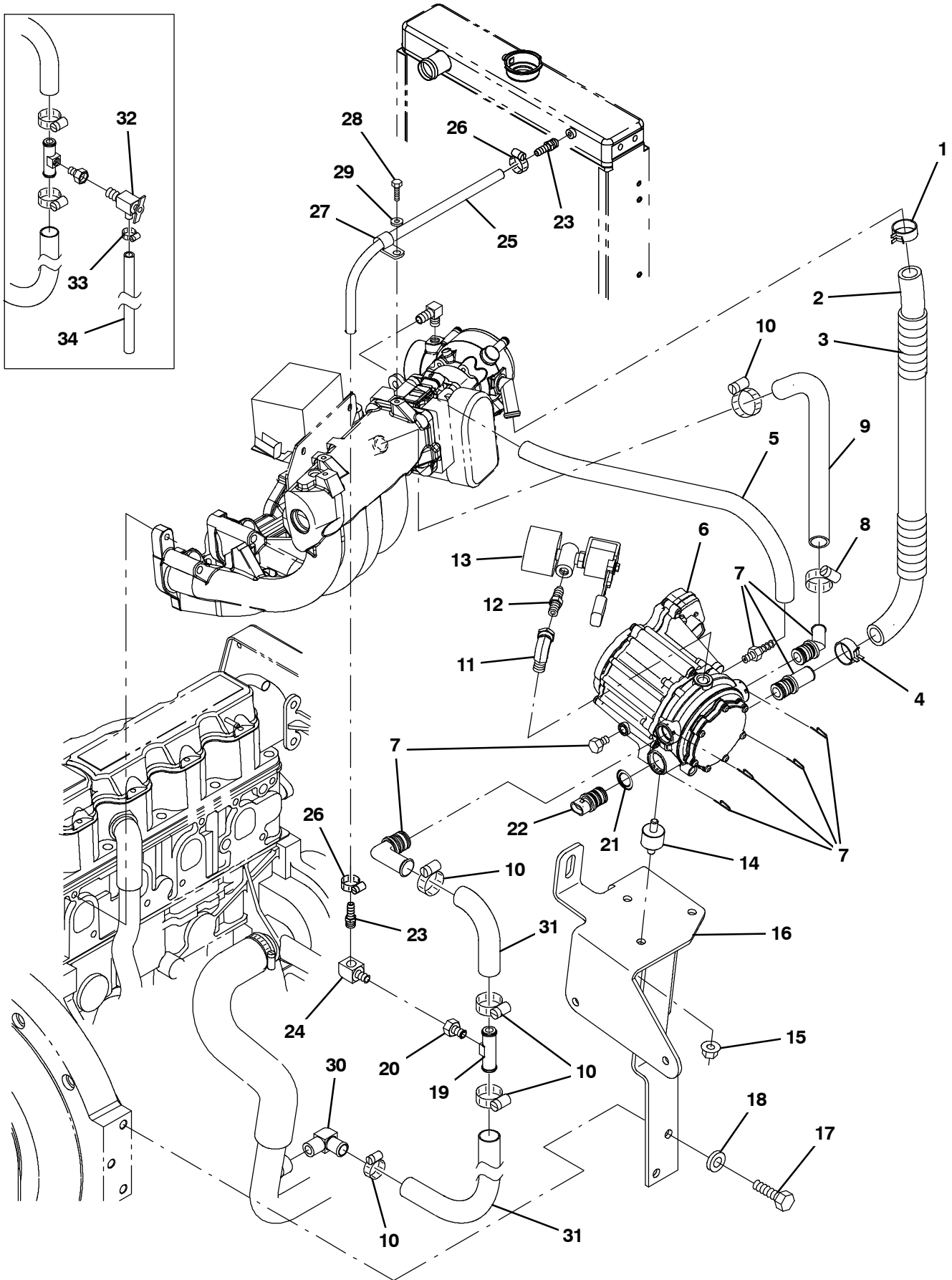


Fig. 16 - Engine Vaporizer Group, LPG (002000-)

Ref.	Part No.	Serial Number	Description	Qty.	
1	384970	(002000-) Clamp, Hose, Spring, 0.75d	1	
2	384983	(002000-) Hose [Mixer To Epr]	1	
3	384971	(002000-) Cover, Hose	1	
4	384979	(002000-) Clamp, Hose, Spring, 0.62d	1	
5	384973	(002000-) Hose, Supply, Gas, .25id	1	
6	384977	(002000-) Regulator [Ep]	1	
7	384978	(002000-) Fitting Kit [Epr]	1	
8	372539	(002000-) Clamp, Hose, 1.0	1	
9	384984	(002000-) Hose [Epr To Manifold]	1	
10	63810	(002000-) Clamp, Hose, Wormdrive, 0.56-1.06d, .56w	5	
11	11442-1	(002000-) Fitting, Hyd, E90, Spcl	1	
12	372529	(002000-) Fitting, Nipple, .25mal	1	
▽	13	384975	(002000-) Valve, Lock Off	1
▲		372615	(002000-) Filter Kit, Fuelock, Lpg	1
14	384986	(002000-) Isolator [Epr]	3	
15	07791	(002000-) Nut, Hex, Fing, M8 X 1.25	3	
16	1028343	(002000-) Bracket Wldt, Mtg, Regulator, Lpg	1	
17	371770	(002000-) Screw	2	
18	371877	(002000-) Washer, Flat, 0.38, Hardened	2	
19	83578	(002000-) Tube, Bleed, Air, .62od 2.2l .12npt, Alm	1	
20	1015930	(002000-) Fitting, Brs, Str, Pf04/Pm02	1	
21	1041151	(002000-) Seal, Org, Sensor, Temp [Epr]	1	
22	1041152	(002000-) Sensor, Temp [Epr]	1	
23	150516	(002493-) Fitting, Brs, Str, Bm06/Pm05	2	
24	27048	(002493-) Fitting, Brs, E90, Pf04/Pm04	1	
25	1043481	(002493-) Hose, Heater, 0.38id	1	
26	54333	(002493-) Clamp, Hose, Wormdrive, 0.31-0.88d, .31w	2	
27	67767	(002493-) Clamp, Cable, Stl, 0.69d X 0.62w, 1hole	1	
28	06942	(002493-) Screw, Hex, M6 X 1.00 X 16, 8.8	1	
29	32490	(002493-) Washer, Flat, 0.25, Std	1	
30	51839	(002000-) Fitting, Brs, E90, Em10/Pm06	1	
31	372528	(002000-) Hose, Mold, .62 To .75 (Cut in 2)	1	
32	51305	(002000-002492)) Fitting, Draincock, E90, .25npt	1	
33	43844	(002000-002492)) Clamp, Hose, Wormdrive, 0.25-0.62d, .31w	1	
34	73471	(002000-002492)) Hose, Pvc, Clr, 0.38id 0.56od 0.22.0l	1	

Fig. 17 - Engine Fuel Tank Group, Gasoline (000000-001999)

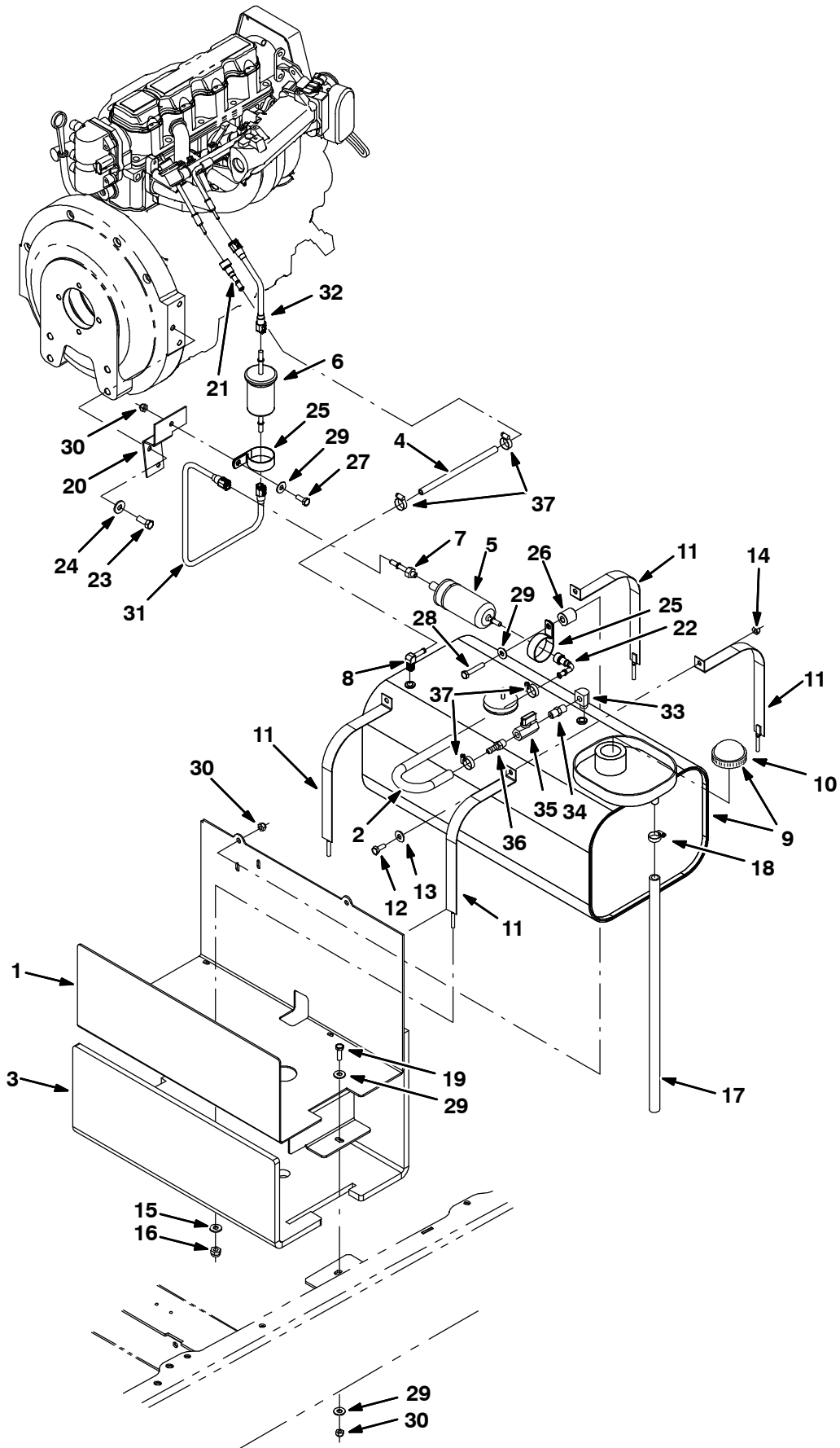


Fig. 17 - Engine Fuel Tank Group, Gasoline (000000-001999)

Ref.	Part No.	Serial Number	Description	Qty.	
1	1026550	(000000-001999)	Tray Wldt, Fuel	1	
2	87730	(000000-001999)	Hose, Fuel, 0.31id 12.0l	1	
3	1026759	(000000-001999)	Insulation, Flame-Retardant, 0.5	1	
4	1012160	(000000-001999)	Hose, Fuel, 0.31id 24.0l	1	
5	1011107	(000000-001999)	Pump, Fuel, Hi Press [Gm 1.6l/3.0l]	1	
6	372440	(000000-001999)	Filter, Fuel [Gm 1.6l/3.0l]	1	
7	1013086	(000000-001999)	Connector, Fuel, Qf	1	
8	9000355	(000000-001999)	Fitting, Brs, E90, Em05/Pm04	1	
▽	9	9002395	(000000-001999)	Tank, Fuel, 11.26Gal, gas, Replmt	1
▲	10	48267	(000000-001999)	Cap, Tank, Fuel, 2.3neck 2.6d	1
▲		1039521	(000000-001999)	Send-Unit, Fuel	1
	11	1025229	(000000-001999)	Strap, Tank, Gas	4
	12	39277	(000000-001999)	Screw, Hex, M8 X 1.25 X 25, 8.8	2
	13	32491	(000000-001999)	Washer, Flat, 0.31, Std	2
	14	08709	(000000-001999)	Nut, Hex, Lock, M8 X 1.25, NI	2
	15	32483	(000000-001999)	Washer, Flat, 0.25 Sae	4
	16	32981	(000000-001999)	Nut, Hex, Lock, .25-20, NI	4
	17	1023482	(000000-001999)	Hose, Fuel, 0.50id 21.0l	1
	18	54333	(000000-001999)	Clamp, Hose, Wormdrive, 0.31-0.88d, .31w	1
	19	39277	(000000-001999)	Screw, Hex, M8 X 1.25 X 25, 8.8	2
	20	1019416	(000000-001999)	Bracket, Mtg, Fuel	1
	21	1013086	(000000-001999)	Connector, Fuel, Qf	1
	22	1019939	(000000-001999)	Connector, Fuel, E90, Qf	1
	23	21197	(000000-001999)	Screw, Hex, .38-16 X 1.00, 5	2
	24	32492	(000000-001999)	Washer, Flat, 0.38 Std	2
	25	1011895	(000000-001999)	Clamp, Cable, Stl, 2.00d X 0.75w, 1 Hole	2
	26	383912	(000000-001999)	Sleeve, P/M, 0.43b 1.00d 1.0l, Stl	1
	27	16931	(000000-001999)	Screw, Hex, M8 X 1.25 X 20, 8.8	1
	28	06956	(000000-001999)	Screw, Hex, M8 X 1.25 X 45, 8.8	1
	29	32491	(000000-001999)	Washer, Flat, 0.31, Std	6
	30	08709	(000000-001999)	Nut, Hex, Lock, M8 X 1.25, NI	4
	31	1026664	(000000-001999)	Fuelline, .31d Str/Str, Plstc	1
	32	1019394	(000000-001999)	Fuelline, .31d Str/Str, Plstc	1
	33	27048	(000000-001999)	Fitting, Brs, E90, Pf04/Pm04	1
	34	398468	(000000-001999)	Fitting, Brs, Str, Pm04/Pm04	1
	35	1019940	(000000-001999)	Valve, Ball, 04pf, Chm W/ Handle	1
	36	392629	(000000-001999)	Fitting, Brs, Str, Bm05/Pm04	1
	37	54333	(000000-001999)	Clamp, Hose, Wormdrive, 0.31-0.88d, .31w	4

STANDARD PARTS

Fig. 18 - Engine Fuel Tank Group, Gasoline (002000-)

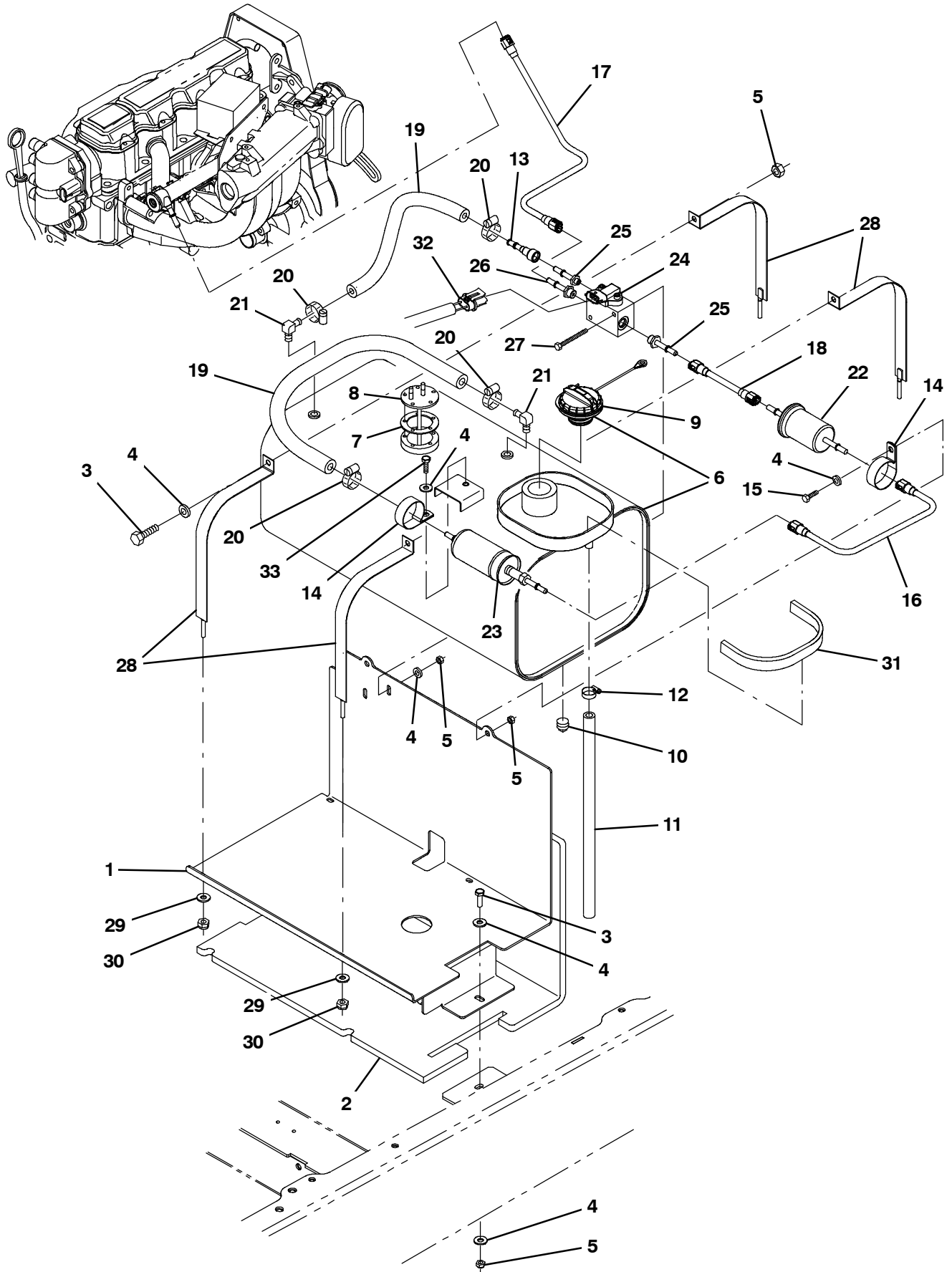


Fig. 18 - Engine Fuel Tank Group, Gasoline (002000-)

Ref.	Part No.	Serial Number	Description	Qty.	
1	1026550	(002000-) Tray Wildt, Fuel	1	
2	1026759	(002000-) Insulation, Flame-Retardant, 0.5	1	
3	39277	(002000-) Screw, Hex, M8 X 1.25 X 25, 8.8	4	
4	32491	(002000-) Washer, Flat, 0.31, Std	8	
5	08709	(002000-) Nut, Hex, Lock, M8 X 1.25, NI	5	
▽	6	9003610	(002000-) Tank, Fuel, 11.2gal, Gas, Replmt [2007]	1
▲	7	1033897	(002000-) Gasket, Sender, Fuel	1
▲	8	1033901	(002000-) Send-Unit, Fuel [2007]	1
▲	9	1032812	(002000-) Cap, Fuel, Tank	1
▲	10	48126	(002000-) Fitting, Pipe, Plug, Pm02, Sq Head	1
	11	1023482	(002000-) Hose, Fuel, 0.50id, 21.0l	1
	12	54333	(002000-) Clamp, Hose, Wormdrive, 0.31-0.88d, .31w	1
	13	1013086	(002000-) Connector, Fuel, Qf	2
	14	1011895	(002000-) Clamp, Cable, Stl, 2.00d X 0.75w, 1hole	2
	15	06956	(002000-) Screw, Hex, M8 X 1.25 X 45, 8.8	2
	16	1034676	(002000-) Fuelline, .31d Str/Str,Plstc[M20/T20 07]	1
	17	1034655	(002000-) Fuelline, .31d Str/Str,Plstc[M20/T20 07]	1
	18	1012248	(002000-) Fuelline, .31d Str/Str, Plstc	1
	19	1033746	(002000-) Hose, Fuel, 0.31id [Evap Emission 07]	2
	20	54333	(002000-) Clamp, Hose, Wormdrive, 0.31-0.88d, .31w	4
	21	9000355	(002000-) Fitting, Brs, E90, Em05/Pm04	2
	22	372440	(002000-) Filter, Fuel [Gm 1.6l/3.0l]	1
	23	1011107	(002000-) Pump, Fuel, Hi Press [Gm 1.6l/3.0l]	1
	24	1028924	(002000-) Manifold, Gas, Relief, Valve	1
	25	1029293	(002000-) Fitting, Fuel, Str, 0.56-18 [07 Eng]	2
	26	1029295	(002000-) Fitting, Fuel, Str, 0.38-24 [07 Eng]	1
	27	06949	(002000-) Screw, Hex, M6 X 1.0 X 50, 8.8	2
	28	1025229	(002000-) Strap, Tank, Gas	4
	29	32483	(002000-) Washer, Flat, 0.25, Sae	4
	30	32981	(002000-) Nut, Hex, Lock, .25-20, NI	4
	31	62595-15	(002000-) Molding, Trim, Pvc, .08-.11 13.2l	1
	32	385009	(002000-) Harness, Manifold, Gas	1
	33	16931	(002000-) Screw, Hex, M8 X 1.25 X 20, 8.8	1

Fig. 19 - Engine Fuel Tank Group, LPG

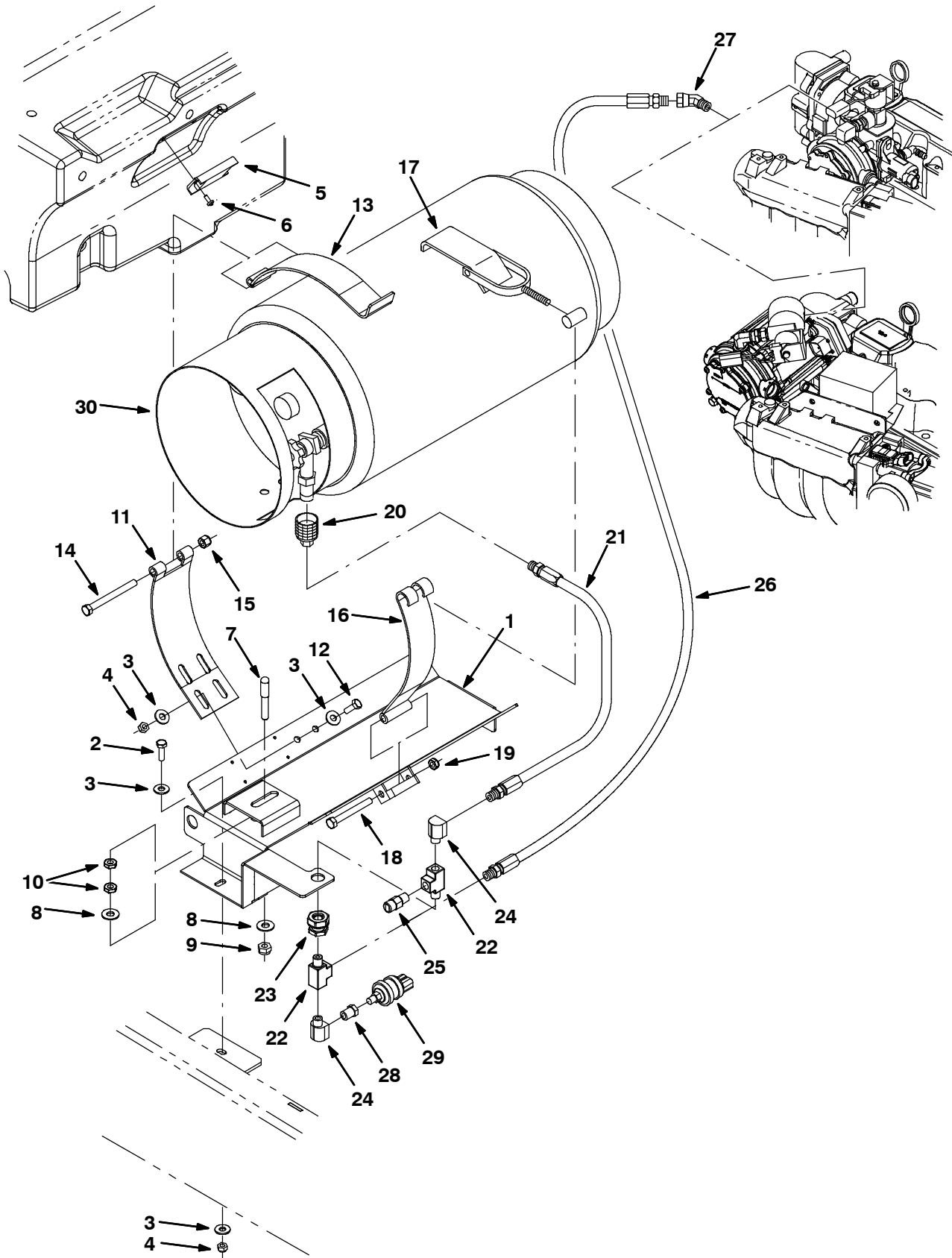


Fig. 19 - Engine Fuel Tank Group, LPG

Ref.	Part No.	Serial Number	Description	Qty.
1	1017947	(000000-) Tray Wldt, Lpg	1
2	39277	(000000-) Screw, Hex, M8 X 1.25 X 25, 8.8	2
3	32491	(000000-) Washer, Flat, 0.31, Std	8
4	08709	(000000-) Nut, Hex, Lock, M8 X 1.25, NI	4
5	63378	(000000-) Magnet, Drive Brush	1
6	09200	(000000-) Screw, Pan, M5 X 0.8 X 12, Ss	2
7	1024934	(000000-) Pin, Locating, Lpg	1
8	32492	(000000-) Washer, Flat, 0.38 Std	2
9	41430	(000000-) Nut, Hex, Lock, M10 X 1.5, NI	1
10	32716	(000000-) Nut, Hex, Jam, M10 X 1.5, Ss	2
11	58589	(000000-) Strap, Mtg, Tank, Lpg	1
12	16931	(000000-) Screw, Hex, M8 X 1.25 X 20, 8.8	2
13	57297	(000000-) Strap, Mtg, Tank, Lpg, Hinge	1
14	35710	(000000-) Screw, Hex, .38-16 X 3.75, 5	1
15	59156	(000000-) Nut, Hex, Lock, .38-16, NI, Ss	1
16	58590	(000000-) Strap, Mtg, Tank, Lpg	1
17	53400-1	(000000-) Latch Assy, Mtg, Tank, Lpg, W/Nut	1
18	35707	(000000-) Screw, Hex, .38-16 X 3.00, 5	1
19	36643	(000000-) Nut, Hex, Lock, .38-16, NI, Thin	1
20	26496	(000000-) Fitting, Brs, Qdc, Pf04, Lpg Fem	1
21	22308-6	(000000-) Hose, Lpg, Med05, Pm04str/Sm04str, 14.0l	1
22	56976A	(000000-) Fitting, Hyd, Tee, Pf04/Pf04/Pm04, Run	2
23	78122	(000000-) Fitting, Brs, Str, Pf04/Pf04, Bh	1
24	27048	(000000-) Fitting, Brs, E90, Pf04/Pm04	2
25	24047	(000000-) Valve, Lpg, Press Relief [Rego]	1
26	19760	(000000-) Hose, Lpg, Med05, Pm04str/Sm04str, 55.0l	1
27	392645	(000000-) Fitting, Pipe, E45, Spcl	1
28	17414	(000000-) Fitting, Hyd, Str, Pf02/Pm04	1
29	23156	(000000-) Switch, Press, 12vdc 08a Spst Nc 0070psi	1
30	24928-1	(000000-) Tank, Lpg, 33lb, W/ Gauge [Empty, Liq]	1

Fig. 20 - Engine Air Cleaner Group, Gasoline (000000-001999)

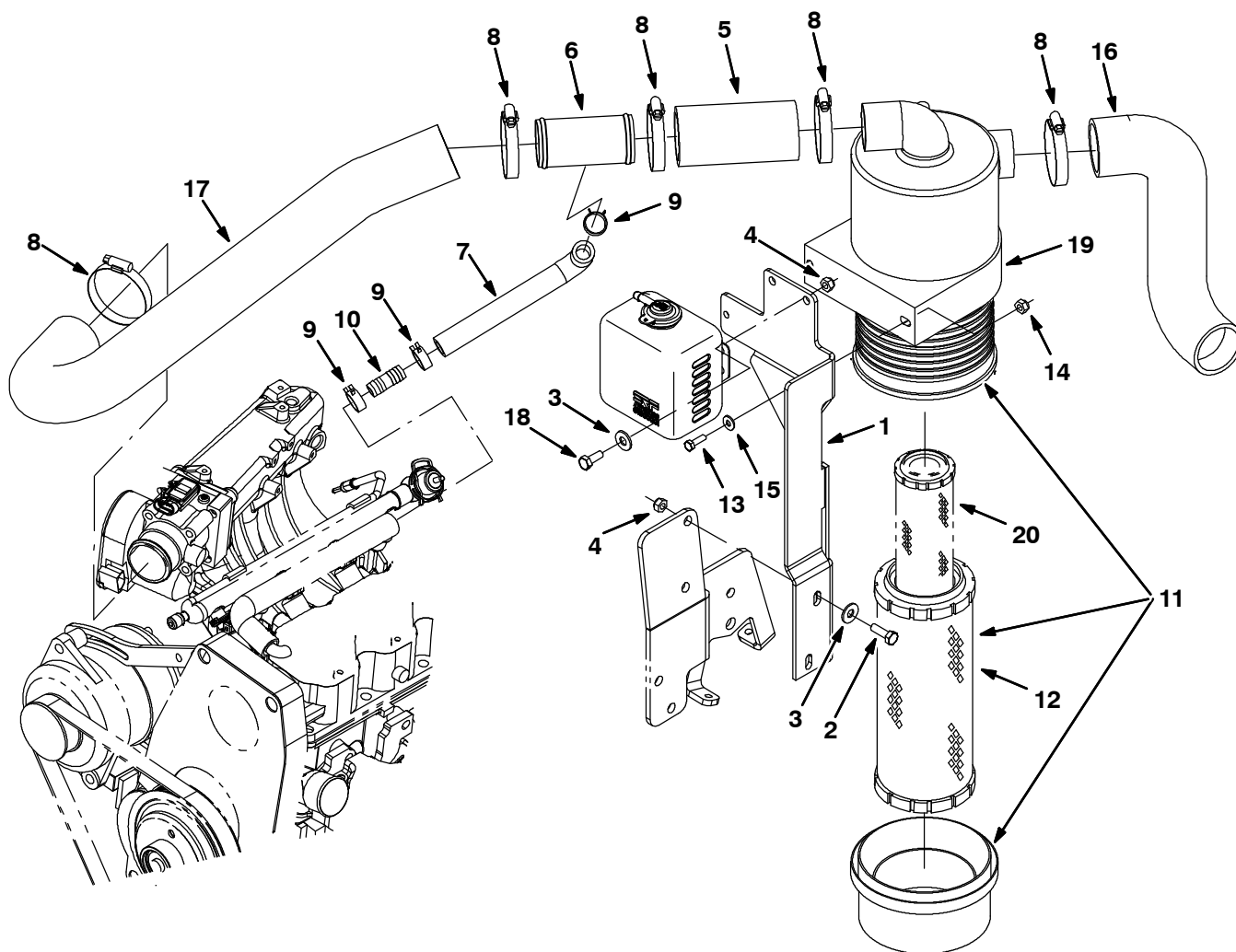


Fig. 20 - Engine Air Cleaner Group, Gasoline (000000-001999)

Ref.	Part No.	Serial Number	Description	Qty.	
1	1027856	(000000-001999)	Bracket, Mtg, Fltr, Air	1	
2	39277	(000000-001999)	Screw, Hex, M8 X 1.25 X 25, 8.8	2	
3	32491	(000000-001999)	Washer, Flat, 0.31, Std	4	
4	08709	(000000-001999)	Nut, Hex, Lock, M8 X 1.25, NI	4	
5	15543-2	(000000-001999)	Hose, Rbr, 2.00id 2.50od 05.0l	1	
6	1011780	(000000-001999)	Tube Wldt, Tee	1	
7	1021514	(000000-001999)	Hose, Heater, E90, 0.62id 07.0 2.0	1	
8	14432	(000000-001999)	Clamp, Hose, Wormdrive, 1.81-2.75d, .50w	5	
9	1011899	(000000-001999)	Clamp, Hose, Spring Stl, 0.86d X 0.38w	3	
10	365164	(000000-001999)	Fitting, Plstc, Str, Bm10/Bm10	1	
▽	11	369745	(000000-001999)	Filter Assy, Air	1
▲	12	369746	(000000-001999)	Element, Fltr, Air [Dn]	1
	13	06943	(000000-001999)	Screw, Hex, M6 X 1.0 X 20, 8.8	2
	14	08708	(000000-001999)	Nut, Hex, Lock, M6 X 1.0, NI	2
	15	32483	(000000-001999)	Washer, Flat, 0.25 Sae	2
	16	1020949	(000000-001999)	Hose, Intake, Mold, 2.00id [Epdm]	1
	17	1017978	(000000-001999)	Hose, Intake, Mold, 2.00id, Gas [Epdm]	1
	18	16931	(000000-001999)	Screw, Hex, M8 X 1.25 X 20, 8.8	1
	19	369747	(000000-001999)	Clamp, Mtg, Fltr, Air	1
	20	398279	(000000-001999)	Element, Fltr, Air, Safety (Option)	1

Fig. 21 - Engine Air Cleaner Group, Gasoline (002000-)

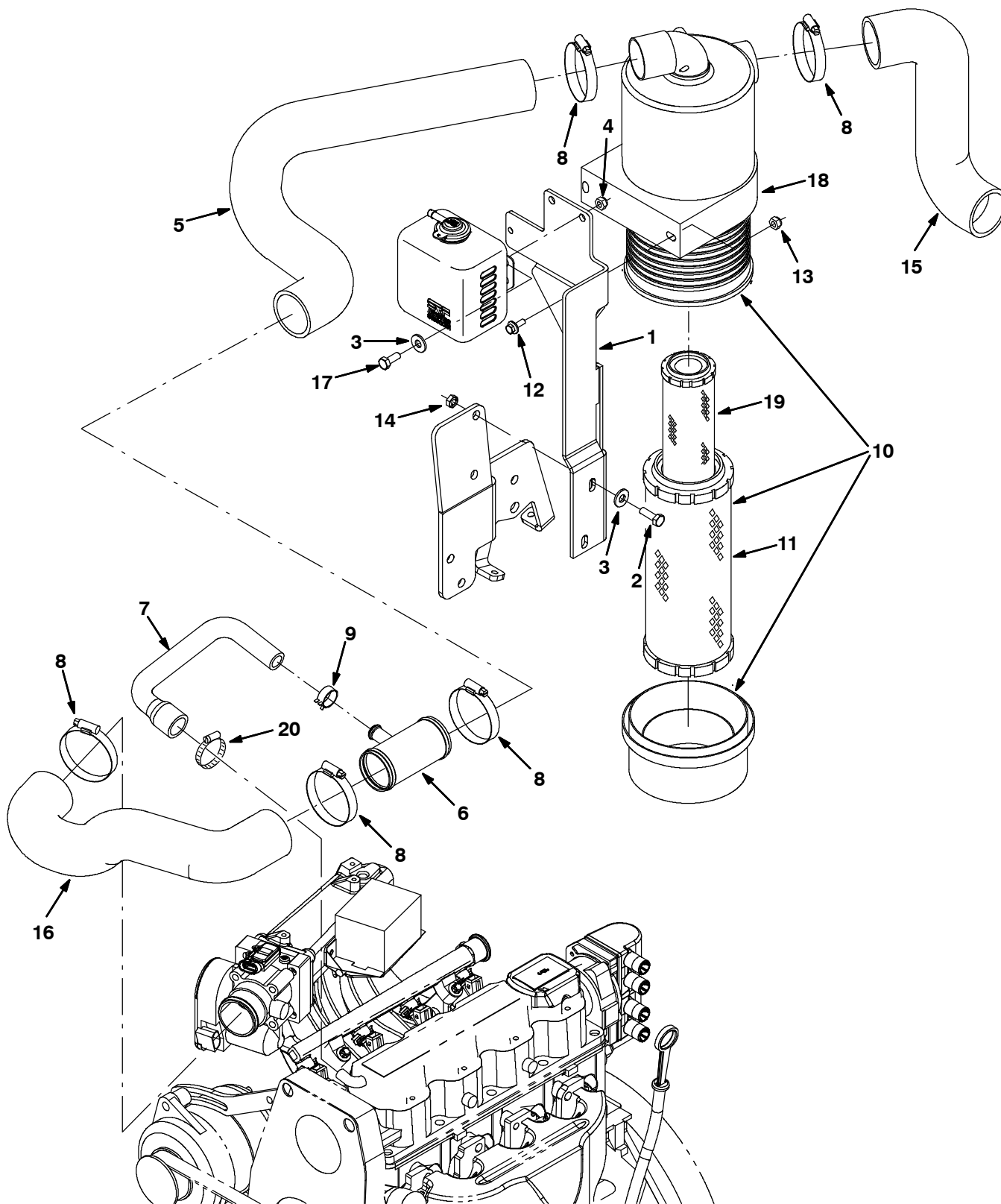


Fig. 21 - Engine Air Cleaner Group, Gasoline (002000-)

Ref.	Part No.	Serial Number	Description	Qty.	
1	1027856	(002000-) Bracket, Mtg, Fltr, Air	1	
2	39277	(002000-) Screw, Hex, M8 X 1.25 X 25, 8.8	2	
3	32491	(002000-) Washer, Flat, 0.31, Std	4	
4	08709	(002000-) Nut, Hex, Lock, M8 X 1.25, NI	2	
5	1031614	(002000-) Hose, Intake, Mold, 2.0id [Epdm M20/T20]	1	
6	1011780	(002000-) Tube Wldt, Tee	1	
7	1032323	(002000-) Hose, Vent, E90, 0.62id[Gm1.6l 2007]	1	
8	14432	(002000-) Clamp, Hose, Wormdrive, 1.81-2.75d, .50w	5	
9	1011899	(002000-) Clamp, Hose, Spring Stl, 0.86d X 0.38w	1	
▽	10	369745	(002000-) Filter Assy, Air	1
▲	11	369746	(002000-) Element, Fltr, Air [Dn]	1
	12	06943	(002000-) Screw, Hex, M6 X 1.0 X 20, 8.8	2
	13	1036892	(002000-) Screw, Hex, M6 X 1.00 X 25, 9.8 Sems	2
	14	08709	(002000-xxxxxx) Nut, Hex, Lock, M8 X 1.25, NI	2
	15	1020949	(002000-) Hose, Intake, Mold, 2.00id [Epdm]	1
	16	1031609	(002000-) Hose, Intake, Mold, 2.0id, Gas	1
	17	16931	(002000-) Screw, Hex, M8 X 1.25 X 20, 8.8	1
	18	369747	(002000-) Clamp, Mtg, Fltr, Air	1
	19	398279	(002000-) Element, Fltr, Air, Safety (Option)	1
	20	371854	(002000-) Clamp, Spring, 1.50	1

Fig. 22 - Engine Air Cleaner Group, LPG (00000-001999)

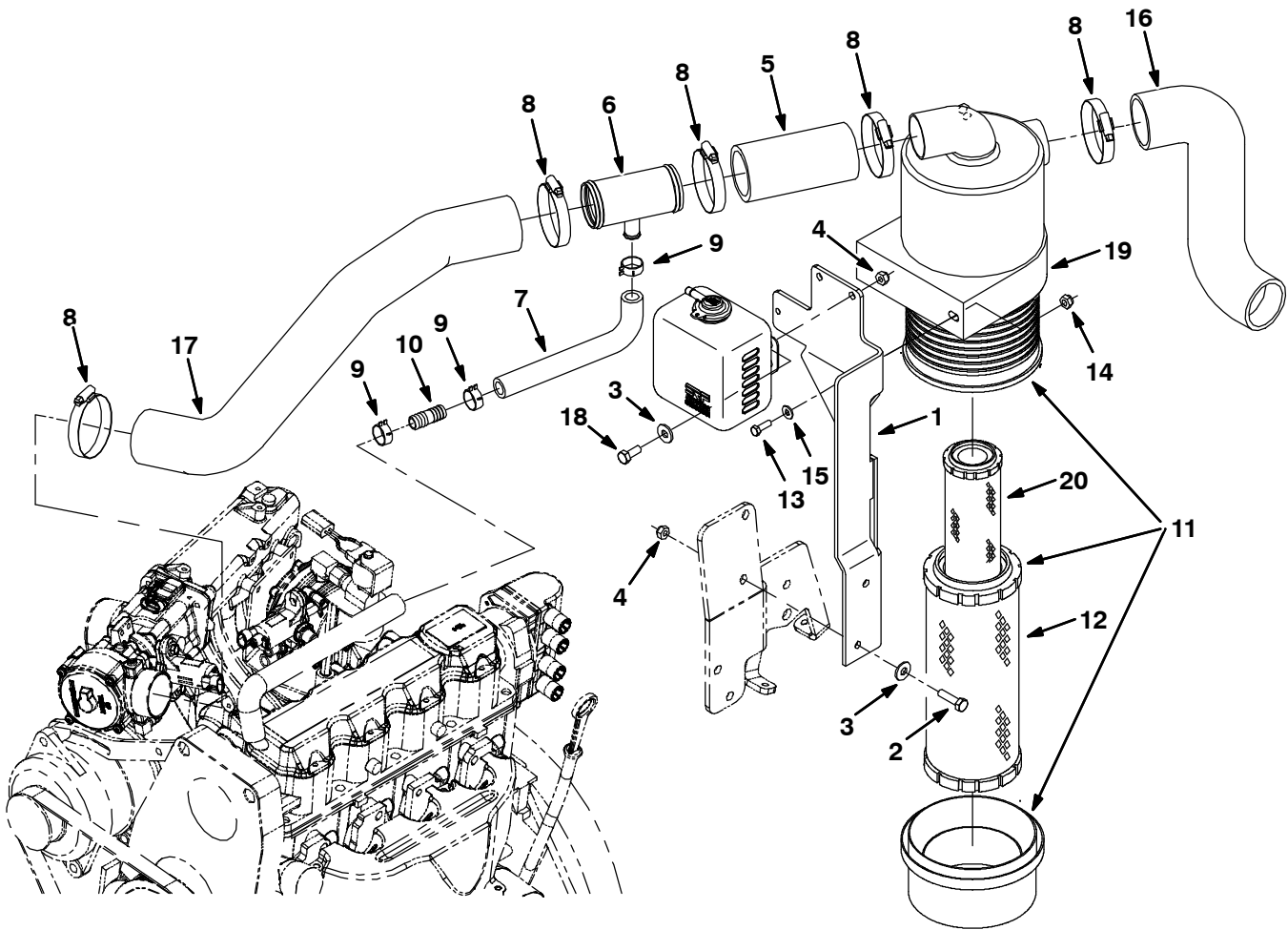


Fig. 22 - Engine Air Cleaner Group, LPG (000000-001999)

Ref.	Part No.	Serial Number	Description	Qty.	
1	1027856	(000000-001999)	Bracket, Mtg, Fltr, Air	1	
2	39277	(000000-001999)	Screw, Hex, M8 X 1.25 X 25, 8.8	2	
3	32491	(000000-001999)	Washer, Flat, 0.31, Std	4	
4	08709	(000000-001999)	Nut, Hex, Lock, M8 X 1.25, NI	4	
5	15543-2	(000000-001999)	Hose, Rbr, 2.00id 2.50od 05.0l	1	
6	1011780	(000000-001999)	Tube Wldt, Tee	1	
7	1021514	(000000-001999)	Hose, Heater, E90, 0.62id 07.0 2.0	1	
8	14432	(000000-001999)	Clamp, Hose, Wormdrive, 1.81-2.75d, .50w	5	
9	1011899	(000000-001999)	Clamp, Hose, Spring Stl, 0.86d X 0.38w	3	
10	365164	(000000-001999)	Fitting, Plstc, Str, Bm10/Bm10	1	
▽	11	369745	(000000-001999)	Filter Assy, Air	1
▲	12	369746	(000000-001999)	Element, Fltr, Air [Dn]	1
	13	06943	(000000-001999)	Screw, Hex, M6 X 1.0 X 20, 8.8	2
	14	08708	(000000-001999)	Nut, Hex, Lock, M6 X 1.0, NI	2
	15	32483	(000000-001999)	Washer, Flat, 0.25 Sae	2
	16	1020949	(000000-001999)	Hose, Intake, Mold, 2.00id [Epdm]	1
	17	1017987	(000000-001999)	Hose, Intake, Mold, 2.00id, Lpg [Epdm]	1
	18	16931	(000000-001999)	Screw, Hex, M8 X 1.25 X 20, 8.8	1
	19	369747	(000000-001999)	Clamp, Mtg, Fltr, Air	1
	20	398279	(000000-001999)	Element, Fltr, Air, Safety (Option)	1

Fig. 23 - Engine Air Cleaner Group, LPG (002000-

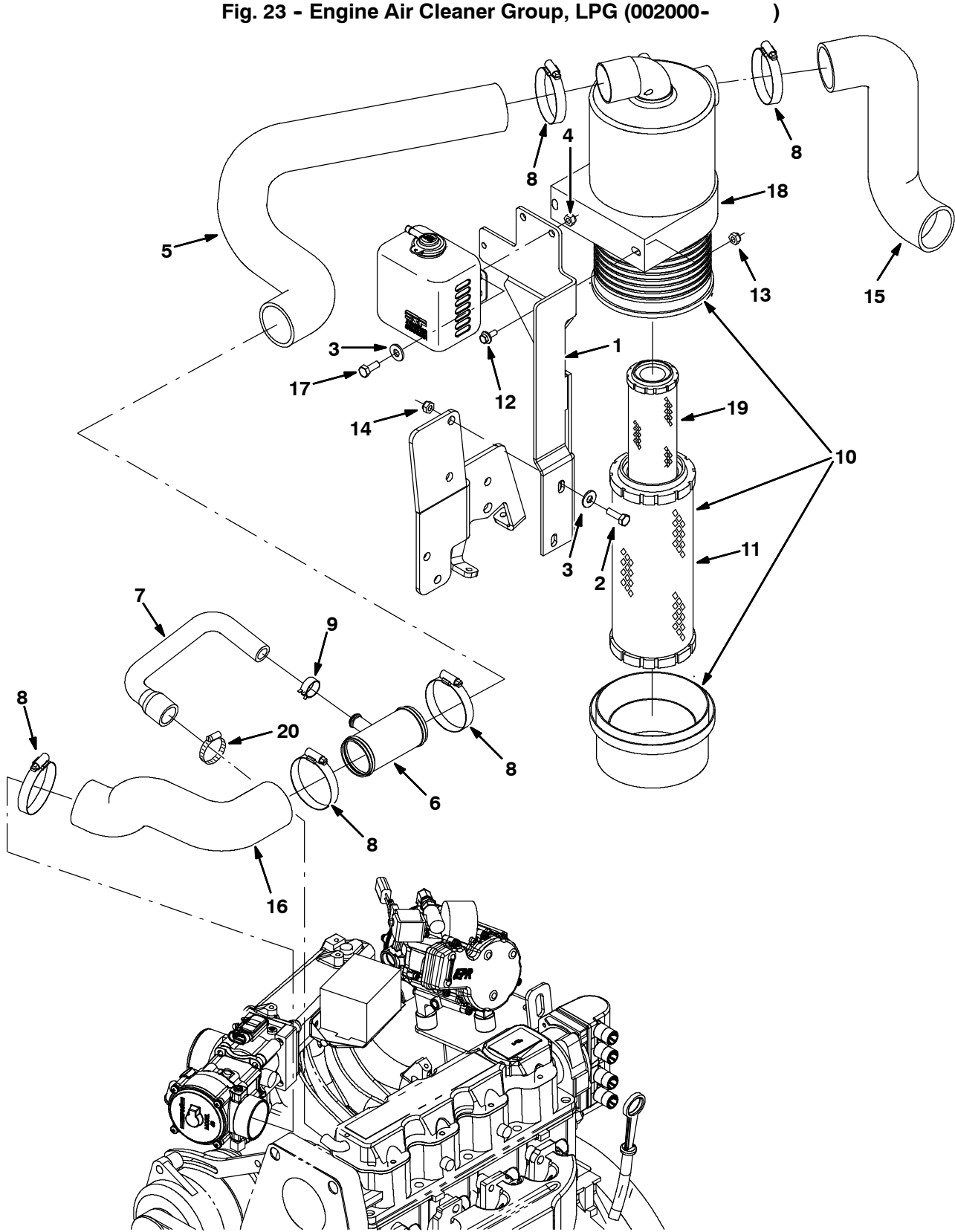


Fig. 23 - Engine Air Cleaner Group, LPG (002000-)

Ref.	Part No.	Serial Number	Description	Qty.	
1	1027856	(002000-) Bracket, Mtg, Fltr, Air	1	
2	39277	(002000-) Screw, Hex, M8 X 1.25 X 25, 8.8	2	
3	32491	(002000-) Washer, Flat, 0.31, Std	4	
4	08709	(002000-) Nut, Hex, Lock, M8 X 1.25, NI	2	
5	1031614	(002000-) Hose, Intake, Mold, 2.0id [Epdm M20/T20]	1	
6	1011780	(002000-) Tube Wldt, Tee	1	
7	1032323	(002000-) Hose, Vent, E90, 0.62id[Gm1.6l 2007]	1	
8	14432	(002000-) Clamp, Hose, Wormdrive, 1.81-2.75d, .50w	5	
9	1011899	(002000-) Clamp, Hose, Spring Stl, 0.86d X 0.38w	1	
▽	10	369745	(002000-) Filter Assy, Air	1
▲	11	369746	(002000-) Element, Fltr, Air [Dn]	1
	12	1036892	(002000-) Screw, Hex, M6 X 1.00 X 25, 9.8 Sems	2
	13	08708	(002000-) Nut, Hex, Lock, M6 X 1.00, NI	2
	14	08709	(002000-xxxxxx) Nut, Hex, Lock, M8 X 1.25, NI	2
	15	1020949	(002000-) Hose, Intake, Mold, 2.00id [Epdm]	1
	16	1031553	(002000-) Hose, Intake, Mold, 2.0id, Lpg	1
	17	16931	(002000-) Screw, Hex, M8 X 1.25 X 20, 8.8	1
	18	369747	(002000-) Clamp, Mtg, Fltr, Air	1
	19	398279	(002000-) Element, Fltr, Air, Safety (Option)	1
	20	371854	(002000-) Clamp, Spring, 1.50	1

Fig. 24 - Engine Alternator and Fan Group

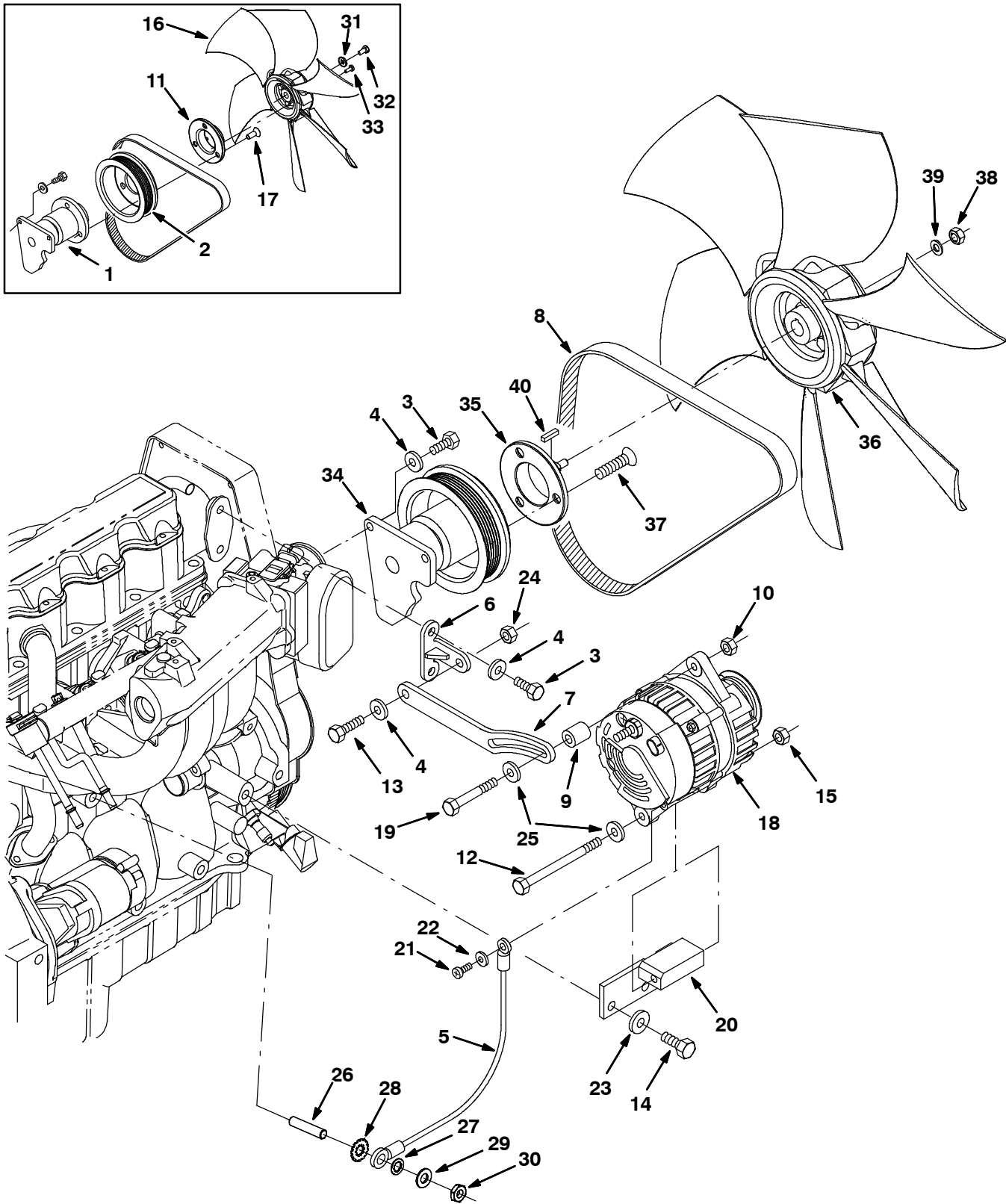


Fig. 24 - Engine Alternator and Fan Group

Ref.	Part No.	Serial Number	Description	Qty.
1	371863	(000000-001999)	Base Assy, Fan, W/O Pulley	1
2	1033428	(000000-001999)	Sheave, 5.00dia [Gm1.6l 2007]	1
3	16931	(000000-	Screw, Hex, M8 X 1.25 X 20, 8.8	4
4	371865	(000000-	Washer, Flat, 0.31, Hardened	7
5	371527	(000000-	Wire, Ground	1
6	371871	(000000-	Bracket, Anchor, Strap, Alternator	1
7	371872	(000000-	Strap, Adj, Alternator	1
8	1033644	(000000-	Belt, Ribbed, 38.5l	1
9	372557	(000000-	Spacer, Strap, Adj, Alternator	1
10	39311	(000000-	Nut, Hex, Std, M8 X 1.25	1
11	1032242	(000000-001999)	Spacer, Fan	1
12	39785	(000000-	Screw, Hex, .31-18 X 4.50, 5	1
13	76958	(000000-	Screw, Hex, .31-18 X 1.75, 5	1
14	06961	(000000-	Screw, Hex, M10 X 1.5 X 20, 8.8	2
15	32983	(000000-	Nut, Hex, Lock, .31-18, NI	1
16	1035031	(000000-001999)	Fan, Cooling, Pusher, 15.5D [2007]	1
17	48998	(000000-001999)	Screw, Flt, .38-16 X 1.00, Al	3
18	393209	(000000-	Alternator, 12vdc 075a [Multi Grv]	1
19	363976	(000000-	Screw, Hex, M8 X 1.25 X 60, 8.8, FI	1
20	372536	(000000-	Bracket, Alternator	1
21	42011	(000000-	Screw, Hex, #10-24 X 0.50, Ss	1
22	19066	(000000-	Washer, Flat, #10	1
23	32485	(000000-	Washer, Flat, 0.38 Sae	1
24	19313	(000000-	Nut, Hex, Std, .31-18	1
25	39349	(000000-	Washer, Flat, 0.31 Sae	2
26	384442	(000000-	Stud, M10 X 1.50 [35]	1
27	32988	(000000-	Washer, Lock, Int, 0.38	1
28	41142	(000000-	Washer, Lock, Int-Ext, 0.38	1
29	32485	(000000-	Washer, Flat, 0.38 Sae	1
30	32716	(000000-	Nut, Hex, Jam, M10 X 1.5, Ss	1
31	41186	(000000-001999)	Washer, Flat, Belleville, .31	1
32	16735	(000000-001999)	Screw, Hex, M8 X 1.25 X 16, 8.8	1
33	09145	(000000-001999)	Screw, Pan, M6 X 1.00 X 16, 4.8	3
34	1035056	(002000-	Base Assy, W/ Pulley [Gm1.6l 2007]	1
35	1035530	(002000-	Spacer, Fan, Taper [2007]	1
36	1035771	(002000-	Fan, Cooling, 15.5d, 6 Blade, .5b Taper	1
37	48996	(002000-	Screw, Flt, .38-16 X 0.75, Al	3
38	08709	(002000-	Nut, Hex, Lock, M8 X 1.25, NI	1
39	32491	(002000-	Washer, Flat, 0.31, Std	1
40	00960	(002000-	Key, Sq, 0.12 X 0.12, 0.50l	1

Fig. 25 - Engine Muffler Group (000000-001999)

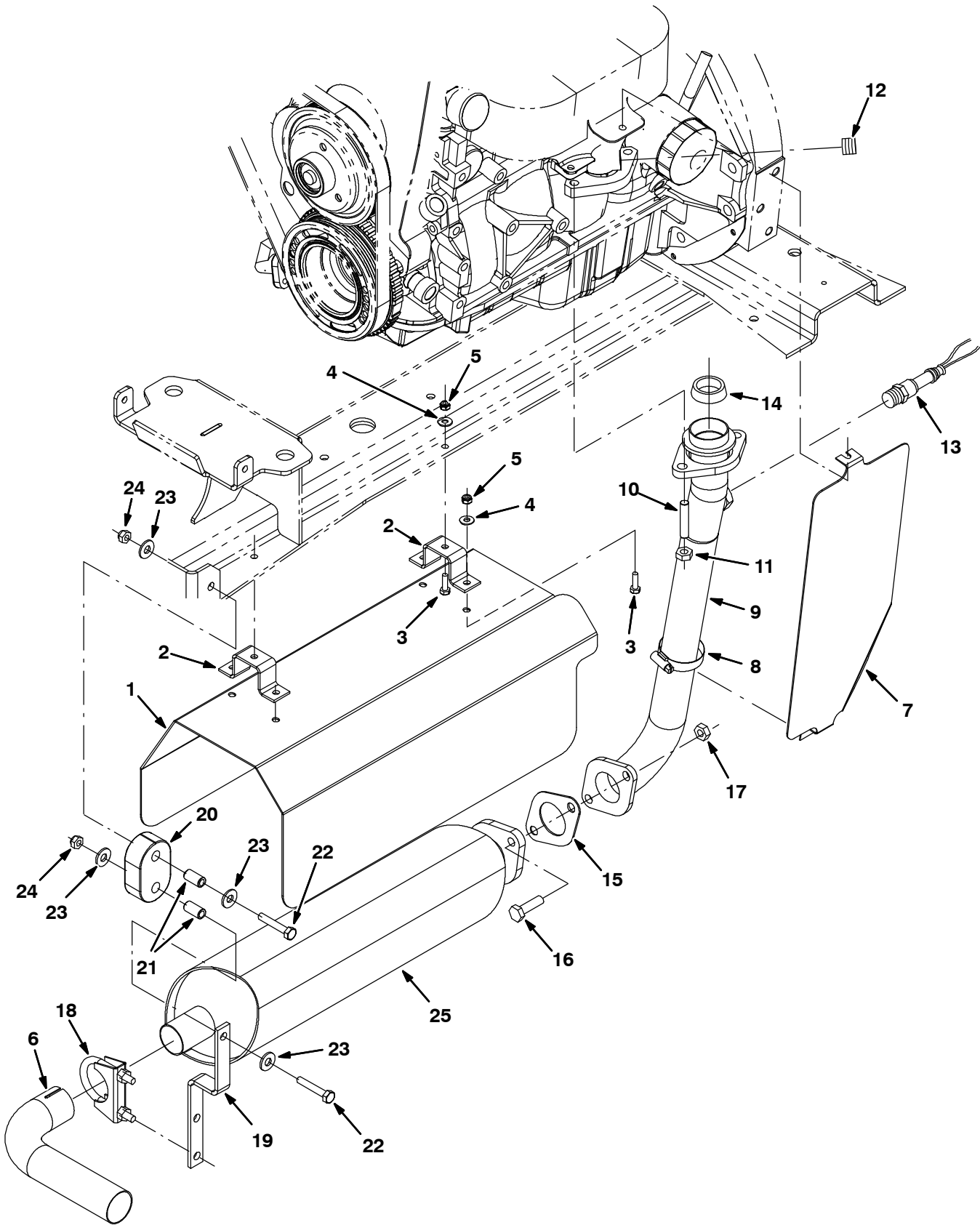


Fig. 25 - Engine Muffler Group (000000-001999)

Ref.	Part No.	Serial Number	Description	Qty.
1	1020602	(000000-001999)	Channel, Shield, Muffler	1
2	1022113	(000000-001999)	Bracket, Retainer, Shield, Heat	2
3	08716	(000000-001999)	Screw, Hex, M6 X 1.0 X 20, Ss	6
4	32483	(000000-001999)	Washer, Flat, 0.25 Sae	6
5	08712	(000000-001999)	Nut, Hex, Lock, M6 X 1.0, Ss, NI	6
6	1021789	(000000-001999)	Tube, Exhaust, 1.5d	1
7	9002394	(000000-001999)	Plate, Shield, Heat, Gas/Lpg, Replmt	1
8	11531	(000000-001999)	Clamp, Hose, Wormdrive, 1.06-2.00d, .56w	1
9	1018142	(000000-001999)	Tube Wldt, Exhaust, Gas/Lpg	1
10	384442	(000000-001999)	Stud, M10 X 1.50 [35]	2
11	08166	(000000-001999)	Nut, Hex, M10 X 1.50 [Stover]	2
12	371860	(000000-001999)	Fitting, Pipe, Plug, Metric, M18,Soc	1
13	372491	(000000-001999)	Sensor, Oxygen	1
14	371861	(000000-001999)	Gasket, Flng, Pipe, Exhaust	1
15	1011216	(000000-001999)	Gasket, Exhaust, 2hole, 3.4bc	1
16	39284	(000000-001999)	Screw, Hex, M10 X 1.5 X 35, 8.8	2
17	08166	(000000-001999)	Nut, Hex, M10 X 1.5 [Stover]	2
18	24012	(000000-001999)	Clamp, Muffler, 1.62d	1
19	1017969	(000000-001999)	Bracket, Muffler, Hanger, Front	1
20	1013031	(000000-001999)	Isolator, Rbr	1
21	222496	(000000-001999)	Sleeve, P/M, 0.31b 0.50d 0.9l [430ss]	2
22	222505	(000000-001999)	Screw, Hex, M8 X 1.25 X 45, Ss	2
23	01685	(000000-001999)	Washer, Flat, 0.31, Ss	4
24	08713	(000000-001999)	Nut, Hex, Lock, M8 X 1.25, NI, Ss	2
25	1022794	(000000-001999)	Muffler, Short [Non-Catalytic Gm1.6/3.0]	1
25	1016624	(000000-001999)	Muffler, Catalytic [Gm 1.6]	1

Fig. 26 - Engine Muffler Group (002000-)

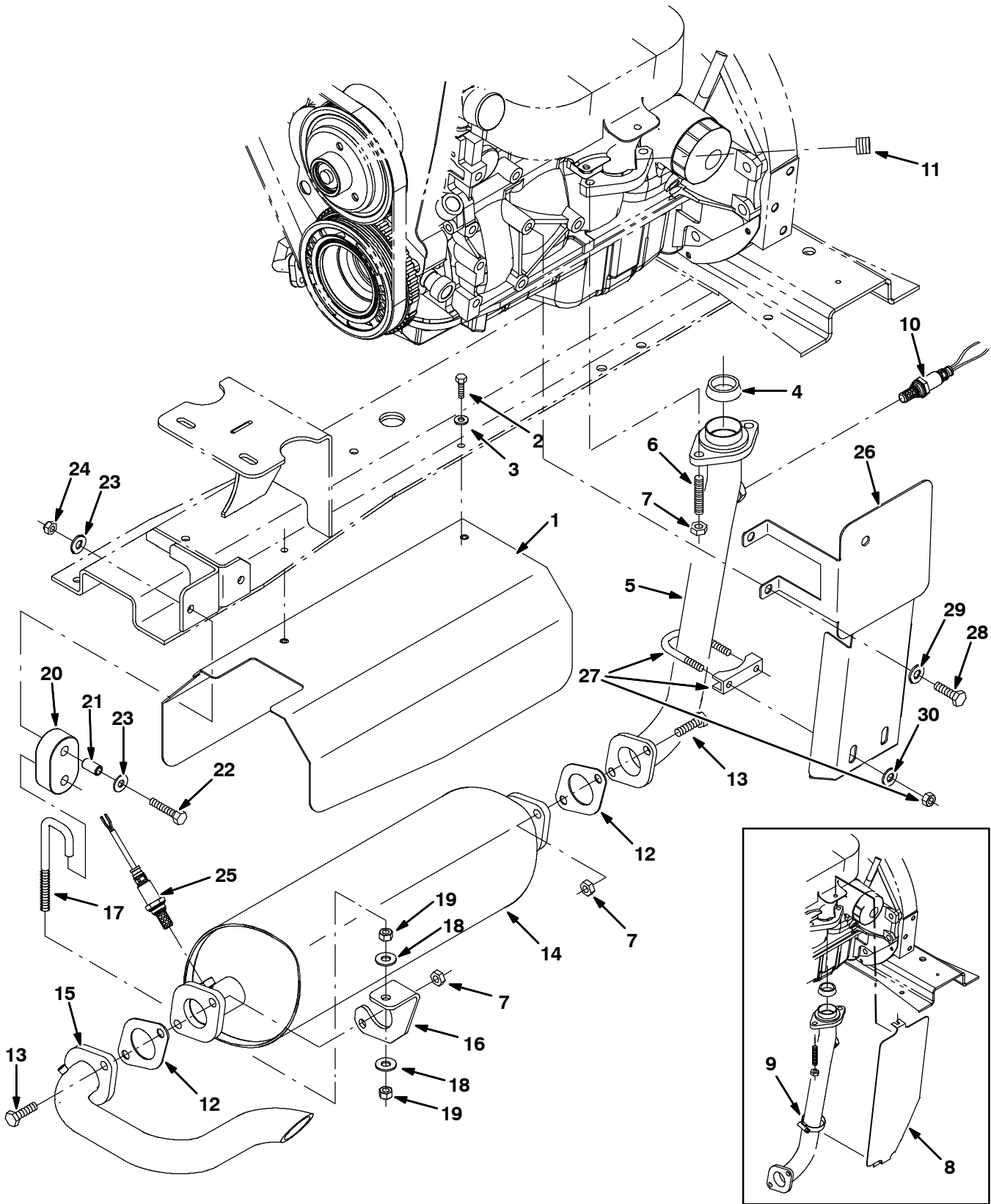


Fig. 26 - Engine Muffler Group (002000-)

Ref.	Part No.	Serial Number	Description	Qty.
1	1028994	(002000-) Channel, Shield, Muffler [M20/T20 2007]	1
2	08716	(002000-) Screw, Hex, M6 X 1.0 X 20, Ss	2
3	32483	(002000-) Washer, Flat, 0.25, Sae	2
4	371861	(002000-) Gasket, Flng, Pipe, Exhaust	1
5	1018142	(002000-) Tube Wldt, Exhaust, 1.6d, 2 Flng	1
6	384442	(002000-) Stud, M10 X 1.50 [35]	2
7	08166	(002000-) Nut, Hex, M10 X 1.50 [Stover]	6
8	9002394	(002000-002395) Plate, Shield, Heat, Gas/Lpg, Replmt	1
9	11531	(002000-002395) Clamp, Hose, Wormdrive, 1.06-2.00d, .56w	1
10	1028559	(002000-) Sensor, Oxygen [Gm 1.6L/3.0L 2007]	1
11	371860	(002000-) Fitting, Pipe, Plug, Metric, M18,Soc	1
12	1011216	(002000-) Gasket, Exhaust, 2hole, 3.4bc	2
13	39284	(002000-) Screw, Hex, M10 X 1.5 X 35, 8.8	4
14	1028136	(002000-) Muffler, Catalytic [Gm 1.6l 2007]	1
15	1028753	(002000-) Tube, Exhaust, Flng, 1.5d [M20/T20 2007]	1
16	1028929	(002000-) Bracket, Mtg, Muffler [M20/T20 2007]	1
17	1013117	(002000-) Rod, Hanger, Isolator	1
18	32492	(002000-) Washer, Flat, 0.38, Std	2
19	25014	(002000-) Nut, Hex, Std, .38-16	2
20	1013031	(002000-) Isolator, Rbr	1
21	222496	(002000-) Sleeve, P/M, 0.31b 0.50d 0.9l [430ss]	1
22	222505	(002000-) Screw, Hex, M8 X 1.25 X 45, Ss	1
23	01685	(002000-) Washer, Flat, 0.38b 0.88d .08, Ss	2
24	08713	(002000-) Nut, Hex, Lock, M8 X 1.25, NI, Ss	1
25	1028558	(002000-) Sensor, Exhaust, Tailpipe	1
26	9003832	(002396-) Shield, Heat, Gas/Lpg, Replmt	1
26	9004983	(002396-) Shield, Heat, Gas/Lpg, Replmt (Japan Only)	1
27	24012	(002396-) Clamp, Muffler, 1.62d	1
28	06961	(002396-) Screw, Hex, M10 X 1.50 X 20, 8.8	2
29	32485	(002396-) Washer, Flat, 0.38, Sae	2
30	32491	(002396-) Washer, Flat, 0.31, Std	2

Fig. 27 - Engine Radiator Group

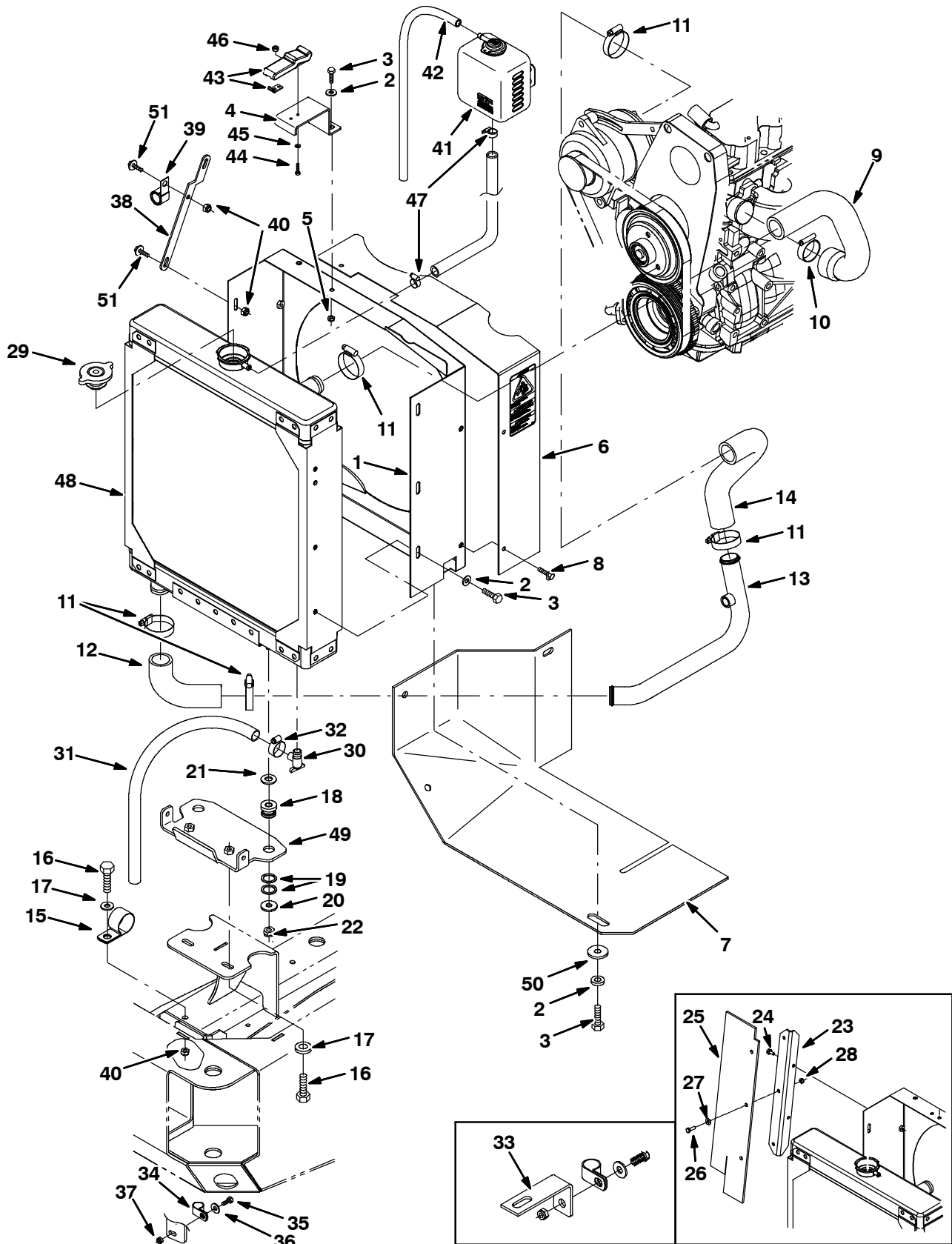


Fig. 27 - Engine Radiator Group

Ref.	Part No.	Serial Number	Description	Qty.
1	1038499	(000000-) Panel Wldt, Shrd, Fan	1
2	32490	(000000-) Washer, Flat, 0.25 Std	9
3	06942	(000000-) Screw, Hex, M6 X 1.0 X 16, 8.8	13
4	1018463	(000000-) Bracket, Mtg, Latch	1
5	08708	(000000-) Nut, Hex, Lock, M6 X 1.0, NI	5
6	9002393	(000000-) Plate, Guard, Fan Shrd, Gas/Lpg, Replmt	1
7	1035222	(000000-) Skirt, Debris, Eng Radiator	1
8	74455	(000000-) Screw, Hex, M6 X 1.0 X 12, Fmg	3
9	1011799	(000000-) Hose, Radiator, Upper, Mold	1
10	22297	(000000-) Clamp, Hose, Wormdrive, 1.56-2.50d, .50w	1
11	11531	(000000-) Clamp, Hose, Wormdrive, 1.06-2.00d, .56w	7
12	1007482	(000000-) Hose, Rbr, E90 1.25id 1.25id 04.2 03.1	1
13	1019273	(000000-) Tube, Coolant, Lower, 1.3d	1
14	1019265	(000000-) Hose, Radiator, Lower, Mold	1
15	53466	(000000-) Clamp, Cable, Stl, 1.50d X 1.00w, 1h	1
16	39277	(000000-) Screw, Hex, M8 X 1.25 X 25, 8.8	3
17	32491	(000000-) Washer, Flat, 0.31, Std	3
18	54274	(000000-) Isolator, Vib, Bshg, 1.1d 0.6l .4b 0.78h	2
19	09832	(000000-) Washer, Flat, 0.81b 1.06d .06, Stl	4
20	1014563	(000000-) Washer, Flat, 0.40b 1.12d .12, Ss	2
21	32486	(000000-) Washer, Flat, 0.50 Sae	2
22	41430	(000000-) Nut, Hex, Lock, M10 X 1.5, NI	2
23	1027099	(000000-001261) Plate, Mtg, Seal	1
24	74455	(000000-001261) Screw, Hex, M6 X 1.0 X 12, Fmg	2
25	1027103	(000000-001261) Seal, Radiator	1
26	06943	(000000-) Screw, Hex, M6 X 1.0 X 20, 8.8	4
27	32483	(000000-001261) Washer, Flat, 0.25 Sae	3
28	08708	(000000-001261) Nut, Hex, Lock, M6 X 1.0, NI	3
29	1045764	(000000-) Cap, Radiator, 14psi [Stant Ao-2516]	1
30	51305	(000000-) Fitting, Draincock, E90, .25npt	1
31	73471	(000000-) Hose, Pvc, Clr, 0.38id 0.56od 22.00l	1
32	43844	(000000-) Clamp, Hose, Wormdrive, 0.25-0.62d, .31w	1
33	1026003	(000000-002241) Bracket, Ftg, Bh	1
34	67767	(000000-) Clamp, Cable, Stl, 0.69d X 0.62w, 1h	1
35	09740	(000000-) Screw, Hex, M8 X 1.25 X 20, Ss	1
36	01685	(000000-) Washer, Flat, 0.31, Ss	1
37	08713	(000000-) Nut, Hex, Lock, M8 X 1.25, NI, Ss	1
38	1019968	(000000-) Bracket, Mtg, Radiator	1
39	30407	(000000-) Clip, Keeper, Open	1
40	08709	(000000-) Nut, Hex, Lock, M8 X 1.25, NI	4
41	1023853	(000000-) Tank, Coolant, 04.7 03.3 4.7deep, 1liter	1
42	1015041	(000000-) Hose, Afmkt, Coolant Recvy, 05ft	1
43	49800	(000000-) Latch	1
44	06927	(000000-) Screw, Pan, M4 X 0.70 X 16, 4.8	2
45	19064	(000000-) Washer, Flat, #06	2

Fig. 27 - Engine Radiator Group

Ref.	Part No.	Serial Number	Description	Qty.
46	02850	(000000-) Nut, Hex, Lock, M4 X 0.7, NI	2
47	43844	(000000-) Clamp, Hose, Wormdrive, 0.25-0.62d, .31w	2
48	1018059	(000000-002492) Radiator (Replaced by 1045316)	1
48	1041291	(002493-) Radiator	1
49	1035976	(001338-) Bracket, Sppt, Radiator, Upper	1
50	41178	(000000-) Washer, Flat, 0.25, Fendr	3
51	1040467	(000000-) Screw, Hex, M6 X 1.0 X 20, 9.8, Sems	2

Fig. 28 - Battery and Electrical Group

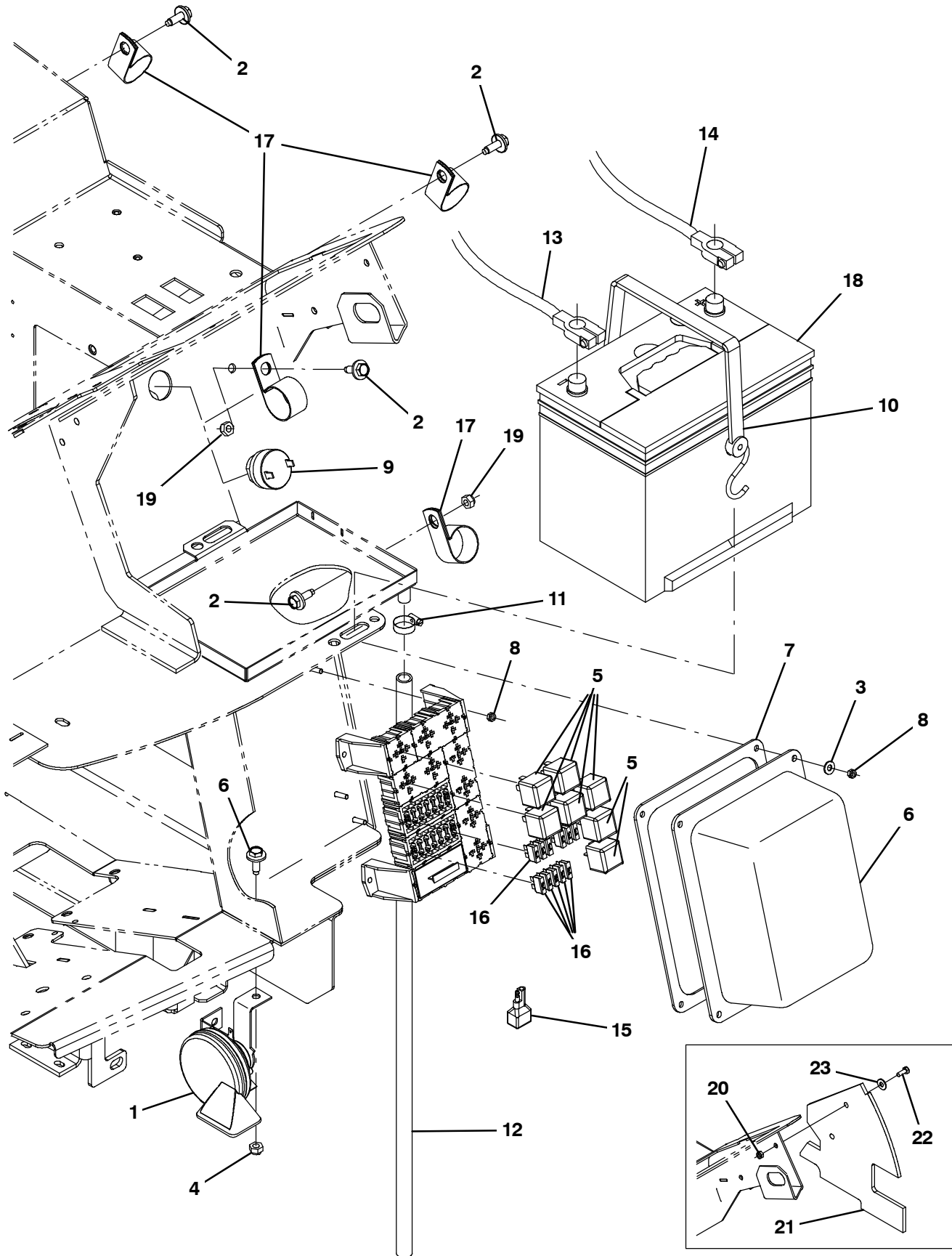


Fig. 28 - Battery and Electrical Group

Ref.	Part No.	Serial Number	Description	Qty.
1	369704	(000000-) Horn, 12vdc, Dba [Wolo]	1
2	1037346	(000000-) Screw, Hex, M8 X 1.25 X 25, 9.8, Sems	5
3	19066	(000000-) Washer, Flat, #10	4
4	08709	(000000-) Nut, Hex, Lock, M8 X 1.25, NI	1
5	57804	(000000-) Relay, 12vdc, 40a, Spdt N/O	7
6	1024274	(000000-) Cover, Fuse, Block	1
7	1026576	(000000-) Gasket, Cover, Fuse Block	1
8	06549	(000000-) Nut, Hex, Lock, M5 X 0.8, NI	8
9	1021290	(000000-) Alarm, Warning [Sonalert, St628]	1
10	33671	(000000-) Strap, Rbr, Tie-Down, 2/Hooks 19.0l	1
11	54333	(000000-) Clamp, Hose, Wormdrive, 0.31-0.88d, .31w	1
12	20778	(000000-) Hose, Pvc, Clr, 0.50id 0.69od 30.00l	1
13	60295	(000000-) Cable, Battery, 02ga 60.0l Blk .41ring	1
14	68869	(000000-) Cable, Battery, 02ga 48.0l Red .41ring	1
15	222290	(000000-) Diode, Ele, Plug	1
16	762514	(000000-) Fuse, 015a	14
17	53466	(000000-) Clamp, Cable, Stl, 1.50d X 1.00w, 1h	4
18	10137	(000000-) Battery, 12vdc, 0475cca, Ah, Wet	1
19	08709	(000000-) Nut, Hex, Lock, M8 X 1.25, NI	2
20	08708	(000000-001278) Nut, Hex, Lock, M6 X 1.0, NI	2
21	1027228	(000000-001278) Seal, Radiator, Upper	1
22	06942	(000000-001278) Screw, Hex, M6 X 1.0 X 16, 8.8	2
23	32490	(000000-001278) Washer, Flat, 0.25 Std	2

Fig. 29 - Wheel Group, Front Drive

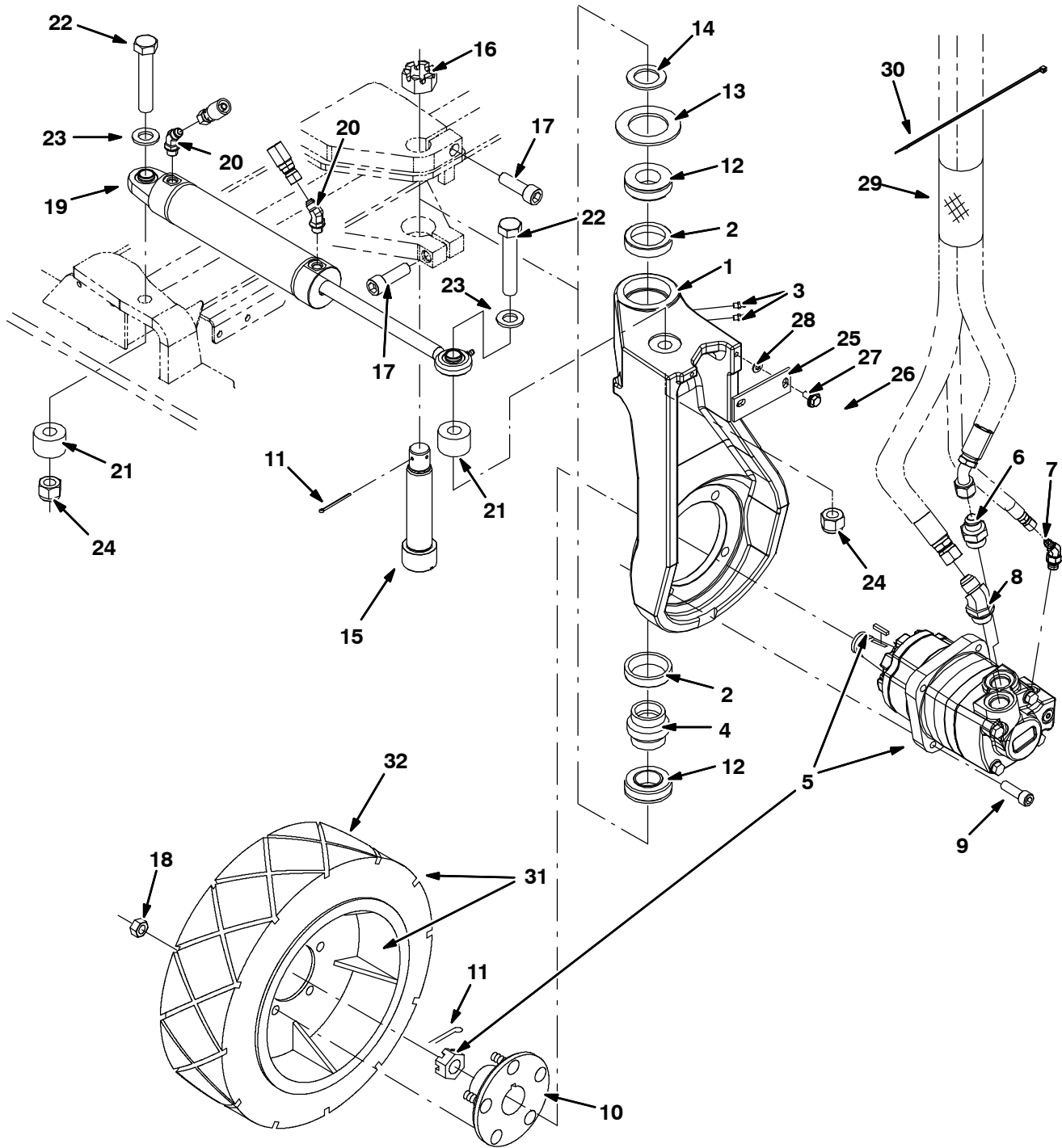


Fig. 29 - Wheel Group, Front Drive

Ref.	Part No.	Serial Number	Description	Qty.
1	1037940	(000000-) Housing, Sppt, Rear Wheel	1
2	51338	(000000-) Bearing, Cup, 2.56d 0.55w	2
3	47801	(000000-) Fitting, Grease, Str Pm04 .63l	2
4	374560	(000000-) Seal, Drive, Rear, Grease Cav	1
5	379609	(000000-) Motor, Hyd, Gear, Int 19.0 Bi-Dir 3000 (See Breakdown)	1
6	42223	(000000-) Fitting, Hyd, Str, Jm10/Om12	1
7	393215	(000000-) Fitting, Hyd, E45, Jm04/Om06	1
8	1024249	(000000-) Fitting, Hyd, E45, Jm10/Om12	1
9	19583	(000000-) Screw, Soc, .50-13 X 1.50, Al	4
▽	10 54087	(000000-) Hub Assy, Wheel, 5 Bolt 4.50bc Taper B	1
▲	32126	(000000-) Stud, Wheel, .50-20 X 1.50l, 0.370th	5
11	08180	(000000-) Pin, Cotter, .125 X 2.00	2
12	51339	(000000-) Bearing, Cone, 1.38b 0.71w	2
13	374563	(000000-) Washer, Flat, 2.16b 3.50d .16, Felt	1
14	54051	(000000-) Washer, Flat, 1.39b 2.12d .13, Stl	1
15	73281	(000000-) Bolt, Shld, 1.37d X 5.13l, 1.1-18 Drilled	1
16	54052	(000000-) Nut, Hex, Sltd, 1.12-18	1
17	72926	(000000-) Screw, Soc, M16 X 2.0 X 50, 12.9	2
18	24339	(000000-) Nut, Wheel, .50-20 X 60 Angle	5
19	1017903	(000000-) Cylinder, Hyd, 2.0b, 15.2l, 09.00strk, 3000	1
20	47522	(000000-) Fitting, Hyd, E45, Jm06/Om06	2
21	71340	(000000-) Tube, Rnd, 1.75d 0.77b 01.1l, Stl, Pntd	2
22	71341	(000000-) Screw, Hex, .75-10 X 4.00, 5	2
23	39350	(000000-) Washer, Flat, 0.75 Sae	2
24	32987	(000000-) Nut, Hex, Lock, .75-10, Ni	2
25	58842	(000000-) Bar, Flat, Stl 0.19, 01.50 X 04.1l	1
26	16931	(000000-) Screw, Hex, M8 X 1.25 X 20, 8.8	2
27	32491	(000000-) Washer, Flat, 0.31, Std	2
28	39349	(000000-) Washer, Flat, 0.31 Sae	1
29	57315	(000000-) Sleeve, Nyl, #37 05.0l	1
30	49266	(000000-) Tie, Cable, Nyl, 07.3l .19w 1.8 Max D	1
▽	31 84597	(000000-) Tire Assy, Solid, 18.0X6.0 4.5BC/5Bolt	1
▲	32 84596	(000000-) Tire, Non-Skid, 18.0X6.0X12.10	1

Fig. 30 - Wheel Group, Rear

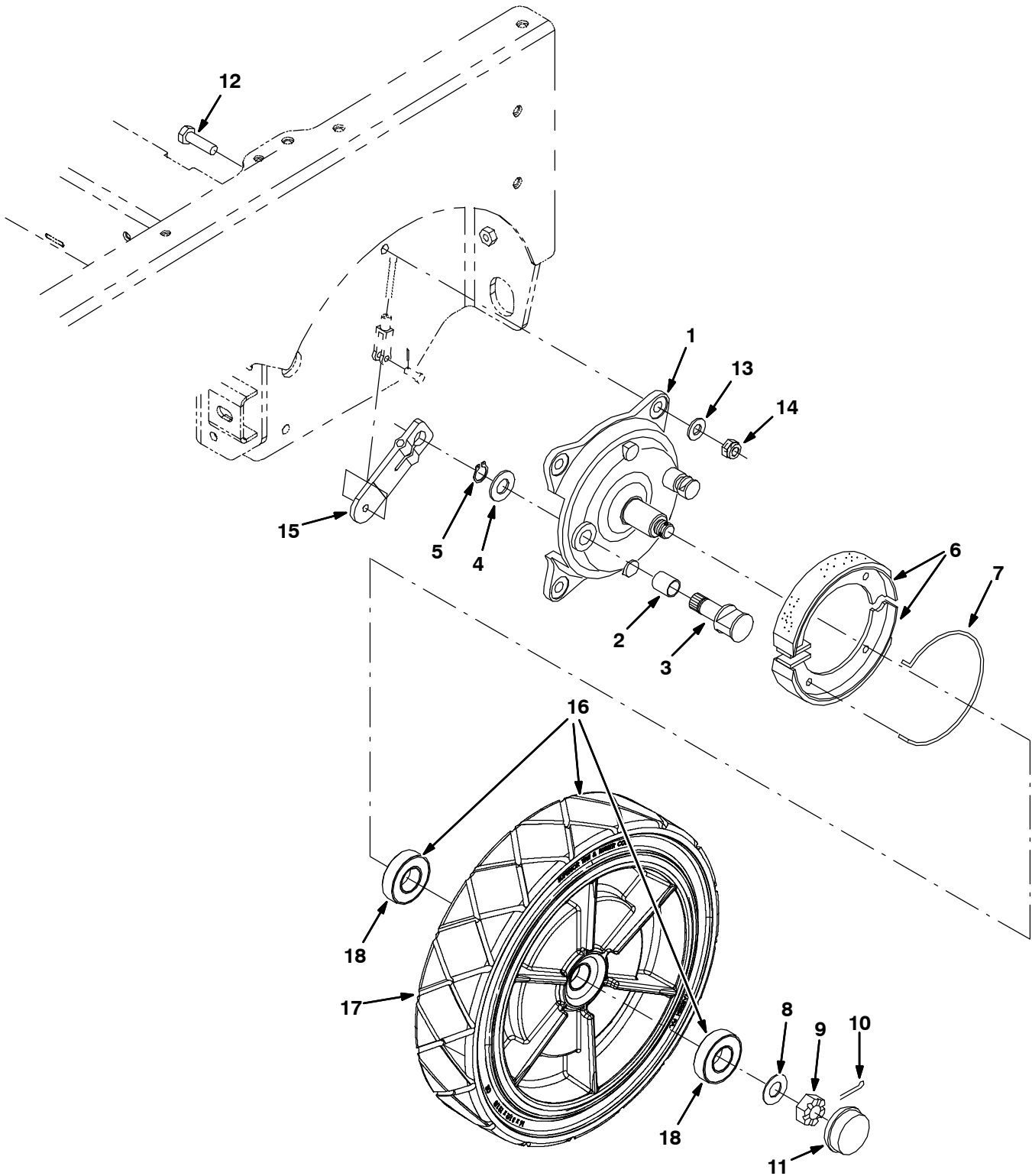


Fig. 30 - Wheel Group, Rear

	Ref.	Part No.	Serial Number	Description	Qty.
▽		360023	(000000-) Brake Assy, Drum, Mech, 07.0d 1.2w	2
▲	1	360270	(000000-) Plate, Backing, Brake	1
▲	2	360271	(000000-) Bushing, Sleeve, 0.78b 0.86d 0.93l, Bnz	1
▲	3	360272	(000000-) Cam, Plt, Brake [Nickel]	1
▲	4	360273	(000000-) Washer, Flat, M21.0b X 37d X 3	1
▲	5	360274	(000000-) Retainer, Ring, Brake	1
▲	6	360275	(000000-) Shoe, Brake, 180 X 30mm	2
▲	7	360276	(000000-) Spring, Wir, 0.25d, Return, Brake	1
	8	49145	(000000-) Washer, Flat, 0.76b 1.50d .06, Ss	2
	9	86659	(000000-) Nut, Hex, Sltd, .75-16	2
	10	08171	(000000-) Pin, Cotter, .156 X 2.00	2
	11	54390	(000000-) Cap, Hub, Dust 2.57d 0.77l	2
	12	06969	(000000-) Screw, Hex, M12 X 1.75 X 40, 8.8	8
	13	32486	(000000-) Washer, Flat, 0.50 Sae	8
	14	08711	(000000-) Nut, Hex, Lock, M12 X 1.75,NI	8
	15	360802	(000000-) Arm, Lever, Brake, 4.1 [Knott]	2
▽	16	1028203	(000000-) Tire Assy, Solid, 16.0x3.5, W/ Brg [Ni]	2
▲	17	1028590	(000000-) Tire, Solid, 16.0 X 3.5 X 12.1 [Nitrile]	1
▲	18	360074	(000000-) Bearing, Ball, 1.18b 2.44d 0.63w	2

Fig. 31 - Brake Pedal Linkage Group

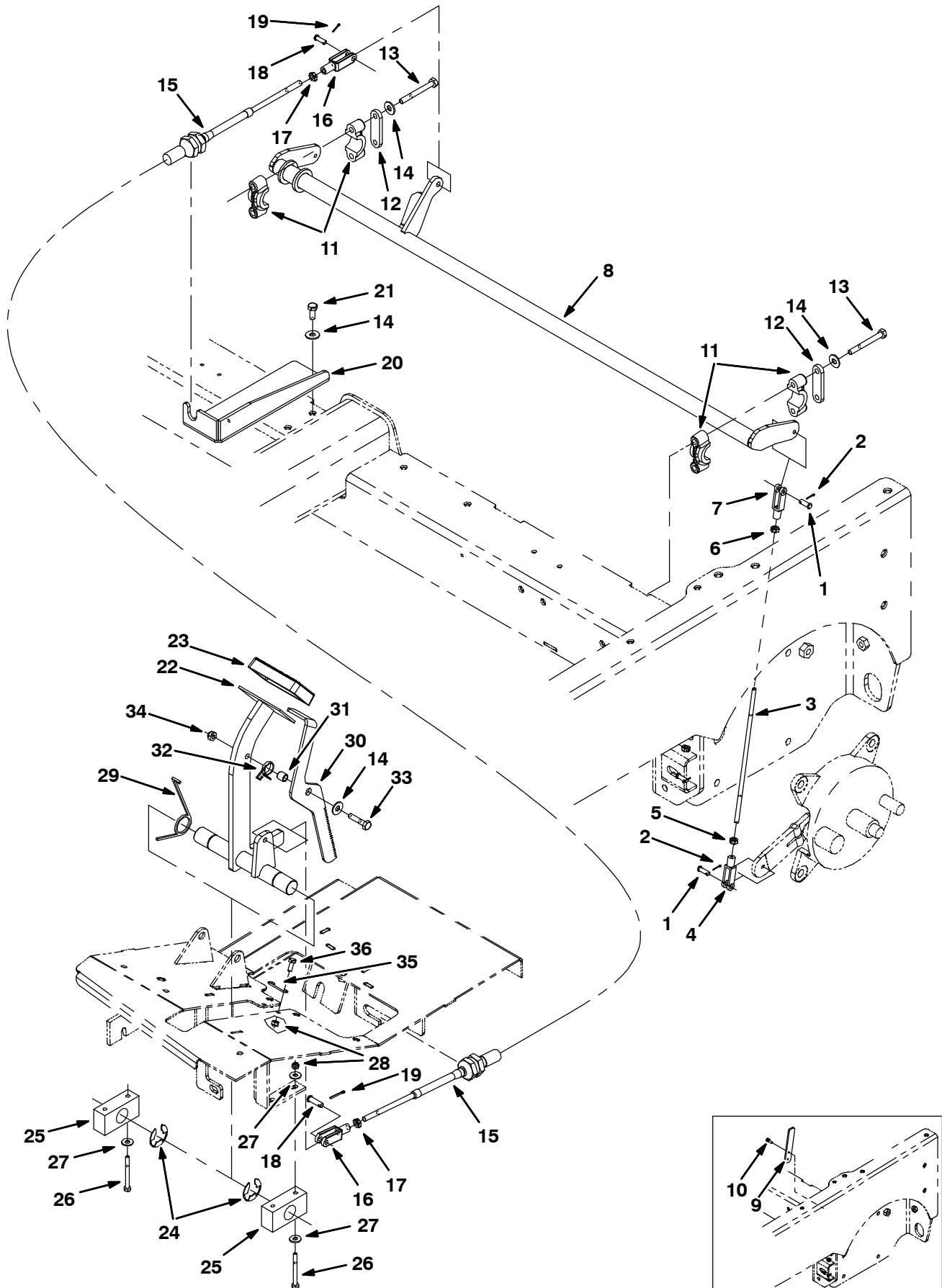
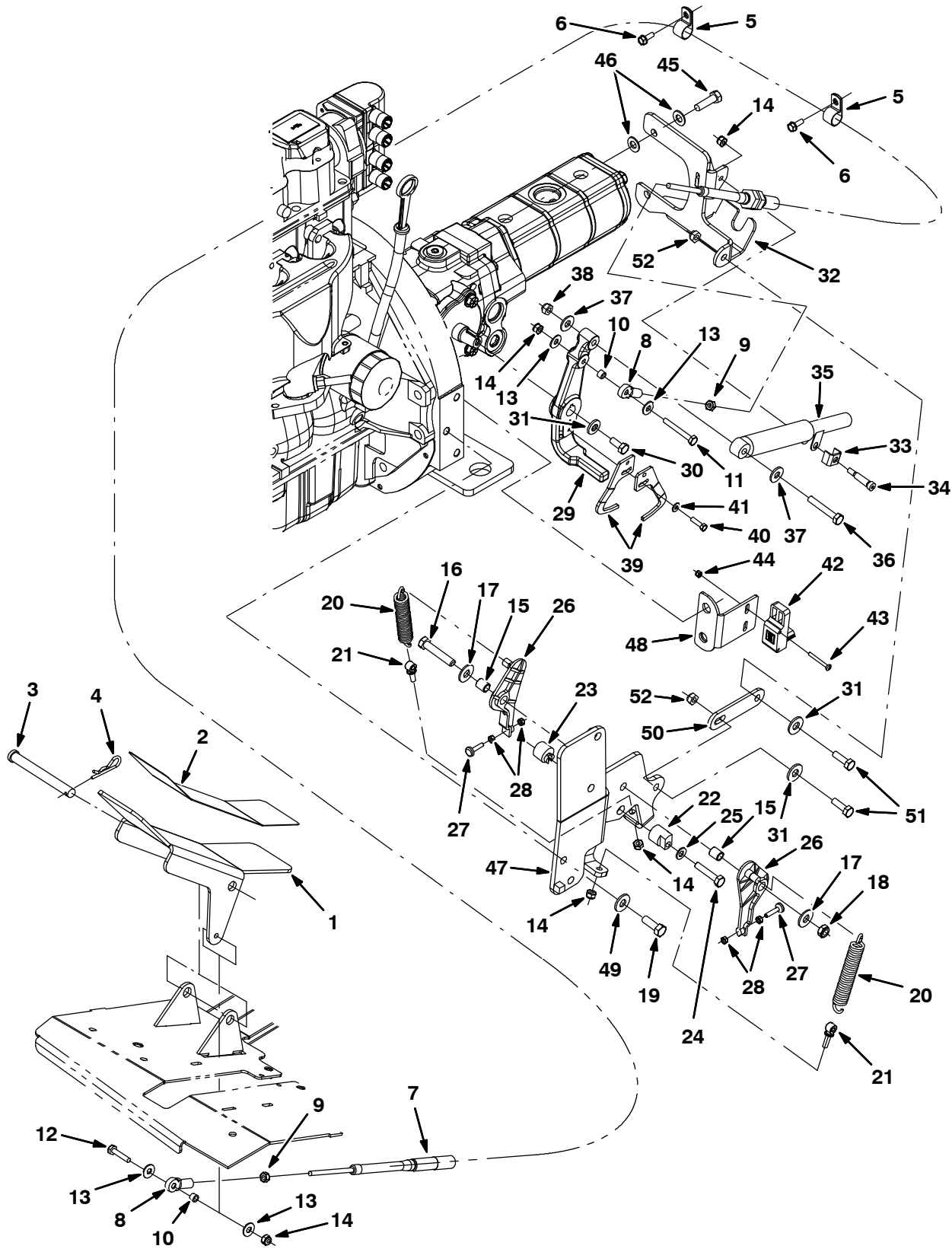


Fig. 31 - Brake Pedal Linkage Group

Ref.	Part No.	Serial Number	Description	Qty.
1	14605	(000000-) Pin, Clevis, 0.25d X 0.75l	4
2	08170	(000000-) Pin, Cotter, .062 X 0.50	4
3	364347	(000000-) Rod	2
4	14595-1	(000000-) Clevis, Adj, 0.25 Pin, 0.25-28 Rh, Pl	2
5	364948	(000000-) Nut, Hex, Std, .25-28, Lh	2
6	01714	(000000-) Nut, Hex, Std, .25-28	2
7	364864	(000000-) Clevis, Adj, 0.25pin, 0.25-28left Pl	2
8	1022031	(000000-) Shaft Wldt, Brake	1
9	1026025	(000000-xxxxxx) Plate, Stop, Brake	2
10	361339	(000000-xxxxxx) Screw, Hex, M6 X 1.0 X 16, Fmg	4
11	381502	(000000-) Bearing, Split, 1.00b	4
12	382224	(000000-) Plate, Sppt	2
13	39279	(000000-) Screw, Hex, M8 X 1.25 X 70, 8.8	4
14	32491	(000000-) Washer, Flat, 0.31, Std	7
15	1025495	(000000-) Cable, Push / Pull, 063.0l 4.0, .31-24	1
16	58311	(000000-) Clevis, Adj, 0.31pin, 0.31-24	2
17	20170	(000000-) Nut, Hex, Jam, .31-24	2
18	69582	(000000-) Pin, Clevis, 0.31d X 1.00l	2
19	08179	(000000-) Pin, Cotter, .094 X 1.00	2
20	1022736	(000000-) Bracket, Mtg, Cable	1
21	16931	(000000-) Screw, Hex, M8 X 1.25 X 20, 8.8	2
22	1022243	(000000-) Shaft Wldt, Pedal, Brake	1
23	51109	(000000-) Pad, Pedal, Brake, 3.96l 2.36w 0.75	1
24	23788	(000000-) Ring, Retaining, Ext, 0.98d, [E-Ring]	2
25	86751	(000000-) Bearing, Pillowblock, 1.02b [Solid Pye]	2
26	06548	(000000-) Screw, Hex, M6 X 1.0 X 60, 8.8	4
27	32490	(000000-) Washer, Flat, 0.25 Std	8
28	08708	(000000-) Nut, Hex, Lock, M6 X 1.0, NI	6
29	54607	(000000-) Spring, Tors, 1.13id .12wir 02.3coil Rh	2
30	1025487	(000000-) Pedal, Brake, Lock	1
31	46563	(000000-) Bushing, Sleeve, 0.37b 0.50d 0.50l, Oib	1
32	59009	(000000-) Spring, Tors, 0.75id .06wir 02.8coil	1
33	06955	(000000-) Screw, Hex, M8 X 1.25 X 35, 8.8	1
34	08709	(000000-) Nut, Hex, Lock, M8 X 1.25, NI	1
35	71367	(000000-) Spring, Wir, 0.08d, Brake, Parking	1
36	06942	(000000-) Screw, Hex, M6 X 1.0 X 16, 8.8	2

Fig. 32 - Directional Pedal and Linkage Group



Ref.	Part No.	Serial Number	Description	Qty.
1	1025140	(000000-)	Pedal, Propel	1
2	58819	(000000-)	Tread, Non-Skid, 03.0w 11.6l	1

Fig. 32 - Directional Pedal and Linkage Group

Ref.	Part No.	Serial Number	Description	Qty.
3	59668	(000000-) Pin, Clevis, 0.50 D X 4.50l	1
4	08182	(000000-) Pin, Cotter, .125 X 1.00	1
5	67767	(000000-) Clamp, Cable, Stl, 0.69d X 0.62w, 1h	2
6	361339	(000000-) Screw, Hex, M6 X 1.0 X 16, Fmg	2
7	1022345	(000000-) Cable, Push / Pull, 098.0l .25-28/.25-28	1
8	68866	(000000-) Rod-End, .25-28rh Fem 0.25b [Teflon]	2
9	01714	(000000-) Nut, Hex, Std, .25-28	2
10	65441	(000000-) Tube, 00.38d 00.26b 00.3l Stl Plt	2
11	41399	(000000-) Screw, Hex, .25-20 X 2.25, Ss	1
12	42180	(000000-) Screw, Hex, .25-20 X 1.75, Ss	1
13	32490	(000000-) Washer, Flat, 0.25 Std	4
14	41169	(000000-) Nut, Hex, Lock, .25-20, NI, Ss	5
15	63234	(000000-) Tube, 00.50d 00.38b 00.6l Stl	2
16	42467	(000000-) Screw, Hex, .38-16 X 2.00, Ss	1
17	32492	(000000-) Washer, Flat, 0.38 Std	2
18	36643	(000000-) Nut, Hex, Lock, .38-16, NI, Thin	1
19	21197	(000000-) Screw, Hex, .38-16 X 1.00, 5	2
20	11842	(000000-) Spring, Extn, 0.75od X 0.12wir, 4.3l	2
21	48079	(000000-) Bolt, Eye, .25-20 X 1.40 X .25 Eye	2
22	53947	(000000-) Cam, Centering, Pintle	1
23	54655	(000000-) Cam, Centering, Pintle	1
24	74440	(000000-) Screw, Hex, M8 X 1.25 X 40, Ss, NI	1
25	39349	(000000-) Washer, Flat, 0.31 Sae	1
26	53953	(000000-) Arm, Cntrl, Pintle, Centering	2
27	54205	(000000-) Bumper, Rbr, 0.5d 0.16t M5 X 08	2
28	50335	(000000-) Nut, Hex, Std, M5 X 0.8, 8	4
29	1027233	(000000-) Arm, Pintle	1
30	83879	(000000-) Screw, Hex, .31-24 X 0.75, NI	1
31	41186	(000000-) Washer, Belleville, .31	3
32	1027313	(000000-) Bracket Wldt, Propel, Pintle	1
33	84170	(000000-) Bracket, Retainer, Safety	1
34	16213	(000000-) Bolt, Shld, .31d X 1.00, .25-20	1
35	73411	(000000-) Shock Absorber, 2.3 Strk	1
36	39278	(000000-) Screw, Hex, M8 X 1.25 X 50, 8.8	1
37	32491	(000000-) Washer, Flat, 0.31 Std	2
38	08709	(000000-) Nut, Hex, Lock, M8 X 1.25, NI	1
39	1022787	(000000-) Arm [Positioning]	2
40	09252	(000000-) Screw, Hex, M5 X 0.8 X 20, 8.8	2
41	01683	(000000-) Washer, Flat, #10 Ss	2
42	1022779	(000000-) Sensor, Spd / Dir, 6-30vdc	1
43	09198	(000000-) Screw, Pan, M4 X 0.7 X 35, Ss	2
44	33932	(000000-) Nut, Hex, Lock, M4 X 0.7, NI, Ss	2
45	46559	(000000-) Screw, Hex, .38-16 X 1.25, NI	2
46	32485	(000000-) Washer, Flat, 0.38 Sae	4
47	1022140	(000000-) Bracket, Propel, Gas/Lpg	1
48	1022798	(000000-) Bracket, Mtg, Cyl	1
49	41187	(000000-) Washer, Flat, Belleville, .38	2
50	1032399	(000000-) Strap, Sppt	1
51	09010	(000000-) Screw, Hex, M8 X 1.25 X 25, Ss	2
52	08713	(000000-) Nut, Hex, Lock, M8 X 1.25, NI, Ss	2

Fig. 33 - Hopper Lift Arms Group

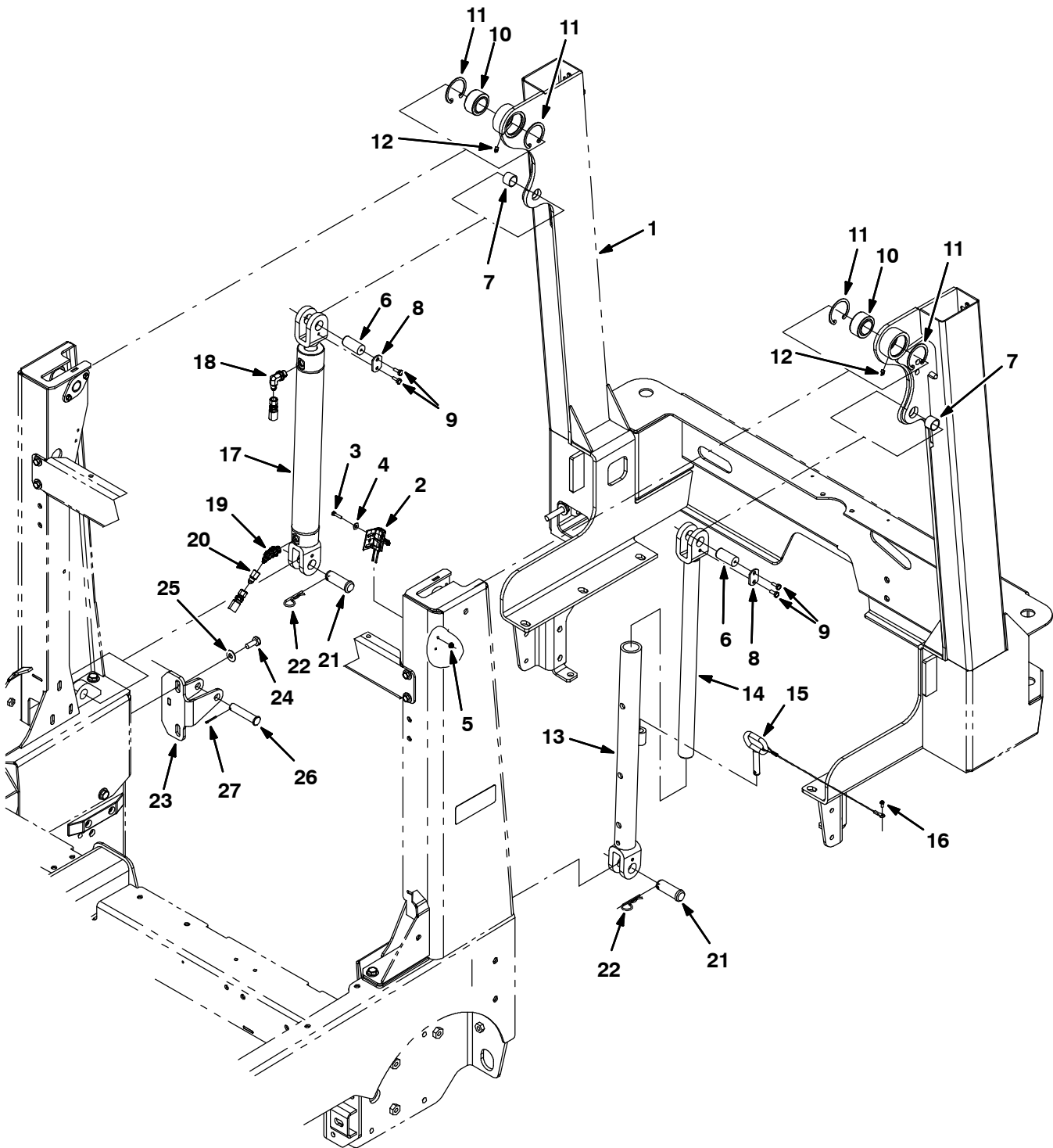


Fig. 33 - Hopper Lift Arms Group

Ref.	Part No.	Serial Number	Description	Qty.
1	1018241	(000000-) Frame Wldt, Lift, Hpr	1
2	23211	(000000-) Switch, Snap, 15a No, Rlr	1
3	09252	(000000-) Screw, Hex, M5 X 0.8 X 20, 8.8	2
4	19066	(000000-) Washer, Flat, #10	2
5	07789	(000000-) Nut, Hex, Flng, M5 X 0.8	2
6	1018226	(000000-) Pin, 0.87d 01.8l, 1/M6 X 1.0, 1cham,Stl	2
7	364587	(000000-) Bushing, Sleeve, 0.88b 1.00d 0.75l, Bnz	2
8	72897	(000000-) Plate, Pin, Clevis, Upper	2
9	1040467	(000000-) Screw, Hex, M6 X 1.0 X 20, 9.8, Sems	4
10	42120-1	(000000-) Bearing, Self Align, 1.25b 2.00d	2
11	59542	(000000-) Ring, Retaining, Int, 2.00d	4
12	07259	(000000-) Fitting, Grease, Str Pm04 .47l	2
13	1018260	(000000-) Tube Wldt, Arm, Safety	1
14	1018262	(000000-) Rod Wldt, Arm, Safety	1
15	1018266	(000000-) Pin, Arm, Safety	1
16	16944	(000000-) Screw, Hex, M4 X 0.7 X 10, Fmg	1
17	1029646	(000000-) Cylinder, Hyd, 2.0B 24.1L 15.00Strk 3000	1
18	47638	(000000-) Fitting, Hyd, E90, Jm04/Om06	1
19	393215	(000000-) Fitting, Hyd, E45, Jm04/Om06	1
20	1025904	(000000-) Fitting, Hyd, Rst, Jf04/Jm04, .028	1
21	1018227	(000000-) Pin, Clevis, 0.88d X 2.25l	2
22	02942	(000000-) Pin, Cotter, Hair, 0.62d .120 Wir	2
23	1018275	(000000-) Plate Wldt, Arm, Stop	1
24	09028	(000000-) Screw, Hex, M10 X 1.5 X 25, Ss	2
25	01686	(000000-) Washer, Flat, 0.44b 1.00d .08, Ss	2
26	1018276	(000000-) Pin, Clevis, 0.62d X 2.91l	1
27	08179	(000000-) Pin, Cotter, .094 X 1.00	1

Fig. 34 - Hopper and Debris Screen Group

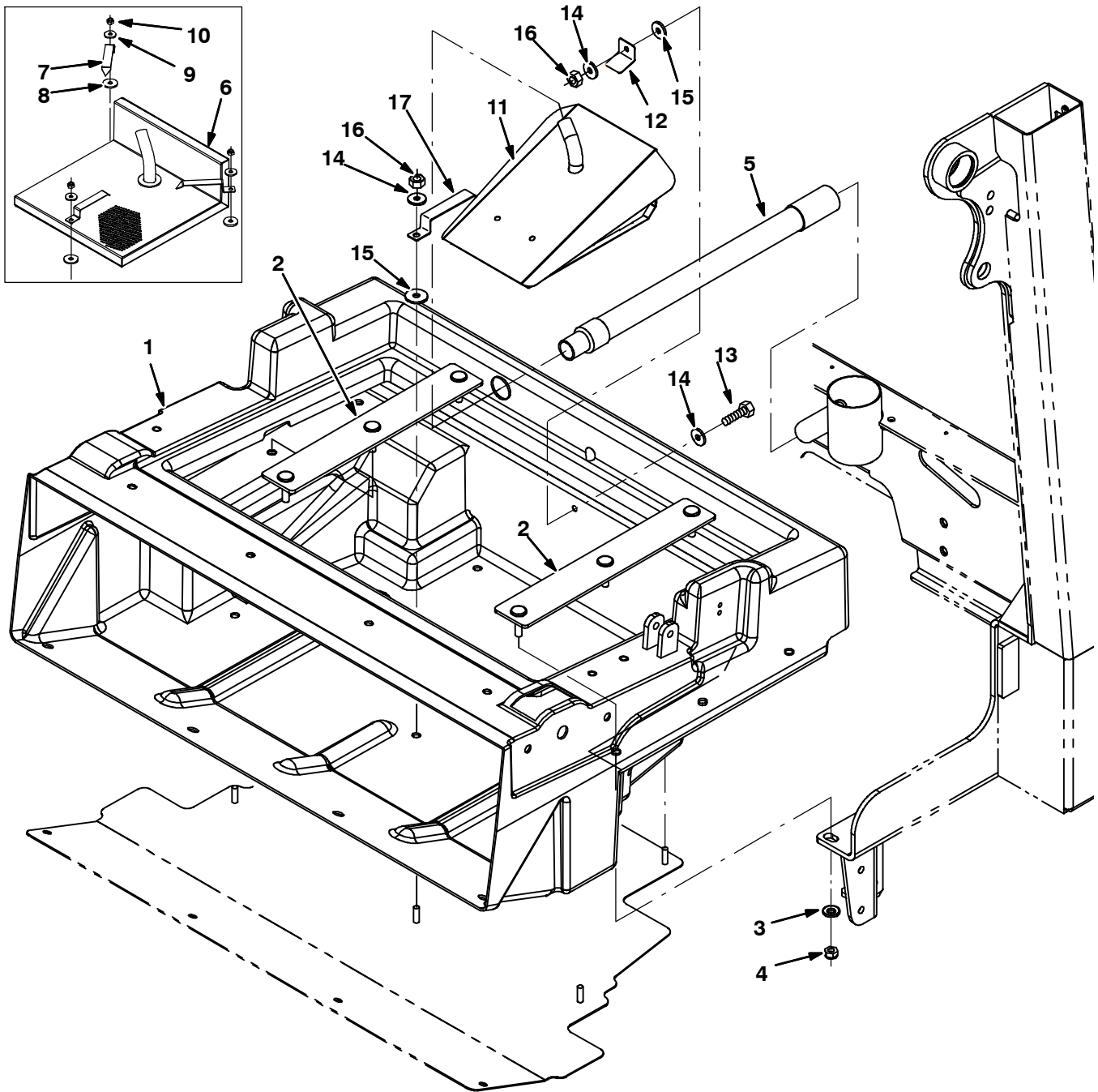


Fig. 34 - Hopper and Debris Screen Group

Ref.	Part No.	Serial Number	Description	Qty.
1	1018300	(000000-) Hopper, Debris, Rm-Hg, Trimmed	1
2	1018272	(000000-) Bar, Mtg, Hppr	2
3	763042	(000000-) Washer, Flat, Belleville, M10	6
4	08714	(000000-) Nut, Hex, Lock, M10 X 1.5, NI, Ss	6
5	1018239	(000000-) Hose Assy, W/1cuff, 1.0d 09l 1.0/	1
6	1018235	(000000-002280) Filter Wldt, Hppr (Replaced By 9003774)	1
7	1018258	(000000-002280) Spring, Flat, Retainer, Screen	3
8	222268	(000000-002280) Washer, Flat, 0.38b 1.25d .12, Neo	3
9	1017218	(000000-002280) Washer, Flat, 0.32b 1.00d .12, Ss	3
10	08713	(000000-002280) Nut, Hex, Lock, M8 X 1.25, NI, Ss	3
11	1039163	(002281-) Screen Wldt, Hppr	1
12	1039215	(002281-) Angle, Retainer	1
13	09010	(002281-) Screw, Hex, M8 X 1.25 X 25, Ss	1
14	1017218	(002281-) Washer, Flat, 0.32b 1.00d .12, Ss	3
15	222268	(002281-) Washer, Flat, 0.38b 1.25d .12, Neo	2
16	08713	(002281-) Nut, Hex, Lock, M8 X 1.25, NI, Ss	2
17	1044323	(002281-) Spring, Flat, Retainer, Angled Screen	1

Fig. 35 - Hopper Cover and Dust Filter Group

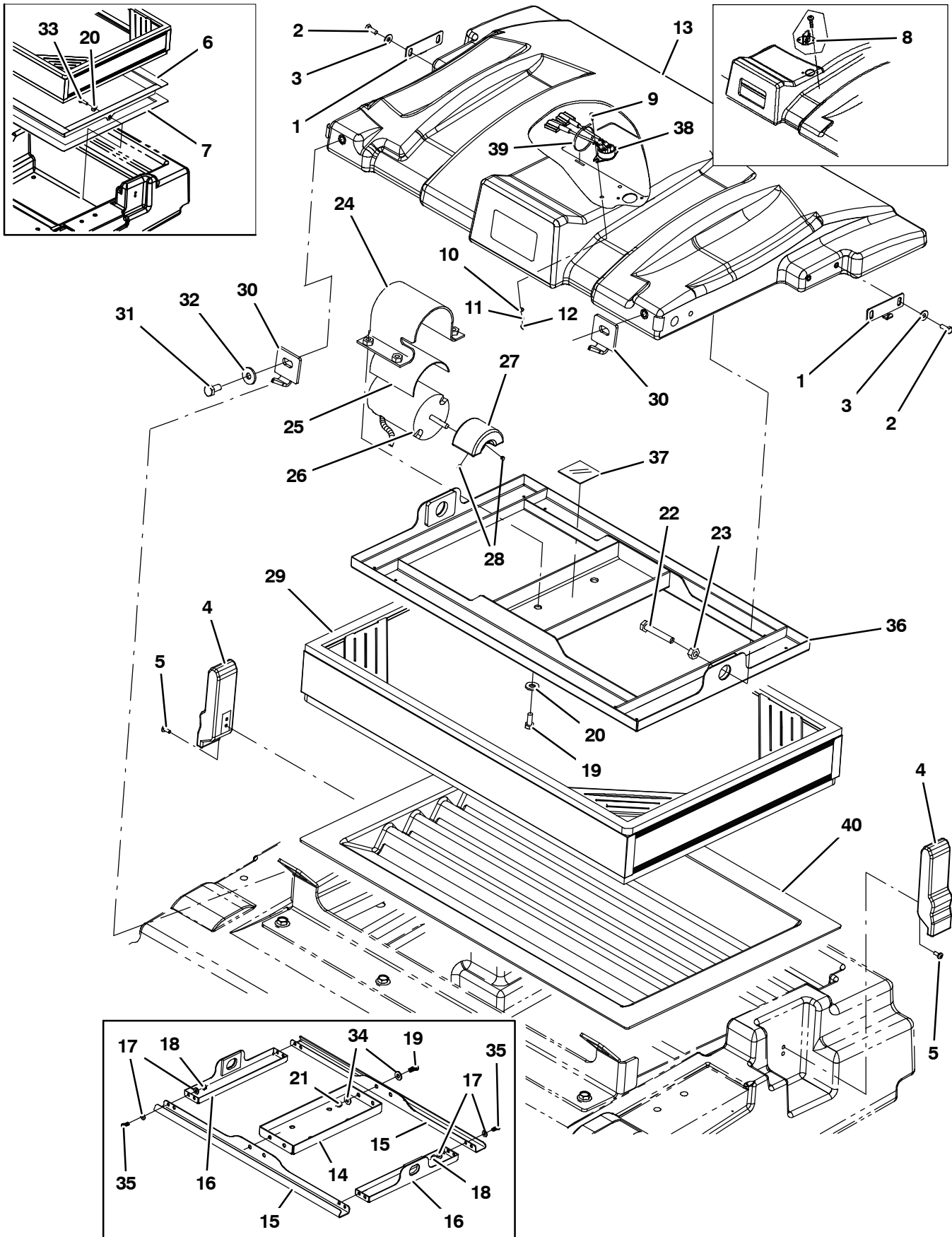


Fig. 35 - Hopper Cover and Dust Filter Group

Ref.	Part No.	Serial Number	Description	Qty.
1	1041984	(000000-) , Cover, HpBracketpr	2
2	15678	(000000-) Screw, Hex, M6 X 1.0 X 16, Ss	4
3	01684	(000000-) Washer, Flat, 0.25, Ss	4
4	360824	(000000-) Latch	2
5	09200	(000000-) Screw, Pan, M5 X 0.8 X 12, Ss	4
6	1033591	(000000-002048) Tray Wldt, Perma-filter (Replaced By none)	1
7	1015220	(000000-002048) Seal, Afrmkt, Ure, Adh, 0.38, 0.75w 08ft (Replaced By none)	1
8	367679	(000000-002040) Switch, Thermal, 160Deg, Spdt (Replaced by 9003444)	1
9	06922	(000000-) Screw, Pan, M3 X 0.5 X 20, 4.8	2
10	19064	(000000-) Washer, Flat, #06	2
11	32975	(000000-) Washer, Lock, Int, #06	2
12	01754	(000000-) Nut, Hex, Std, M3 X 0.5, 8	2
13	1041006	(000000-) Cover, Hppr	1
14	1018203	(000000-001356) Plate, Shakr	1
15	360952	(000000-001356) Plate, Shakr, Bar	2
16	1017944	(000000-001356) Plate Wldt, Shakr, Side	2
17	32483	(000000-001356) Washer, Flat, 0.25 Sae	16
18	08712	(000000-001356) Nut, Hex, Lock, M6 X 1.0, Ss, NI	8
19	09740	(000000-) Screw, Hex, M8 X 1.25 X 20, Ss	8
20	01685	(000000-) Washer, Flat, 0.31, Ss	6
21	08713	(000000-) Nut, Hex, Lock, M8 X 1.25, NI, Ss	4
22	06957	(000000-002040) Screw, Hex, M8 X 1.25 X 60, 8.8	2
22	06963	(002041-) Screw, Hex, M10 X 1.50 X 60, 8.8	2
23	39311	(000000-002040) Nut, Hex, Std, M8 X 1.25	2
23	39312	(002041-) Nut, Hex, Std, M10 X 1.50	2
24	1037671	(000000-) Strap, Mtg, Motor, .124.00W	1
25	36658	(000000-) Strip, Rbr, 0.06 04.00w 05.0l Neo/60	1
26	1041920	(000000-) Motor, Ele [12vdc, Shaker]	1
27	1049242	(000000-) Weight, Eccentric	1
28	20634	(000000-) Screw, Set, #10-24 X 0.25, NI	2
29	1018296	(000000-) Filter, Panl, Dust, 4.2 X 20.0 X 30.0	1
30	1018207	(000000-) Bar, Mtg, Hppr Cover	2
31	09291	(000000-) Screw, Hex, M10 X 1.5 X 20, Ss	2
32	1014563	(000000-) Washer, Flat, 0.40b 1.12d .12, Ss	2
33	39277	(000000-) Screw, Hex, M8 X 1.25 X 25, 8.8	2
34	01685	(000000-001356) Washer, Flat, 0.31, Ss	8
35	15678	(000000-001356) Screw, Hex, M6 X 1.0 X 16, Ss	8
36	1037235	(001357-) Shaker Wldt	1
37	36661	(001357-) Strip, Rbr, 0.06 01.00W 04.0L	1
38	1036611	(002041-) Switch, Temp [160F]	1
39	763116	(002041-) Tie, Cable, Nyl, 15.3L . W 4.5 Max D	1
40	1037947	(002140-) Tray, Perma-Filter	1

Fig. 36 - Hopper Bumper Group

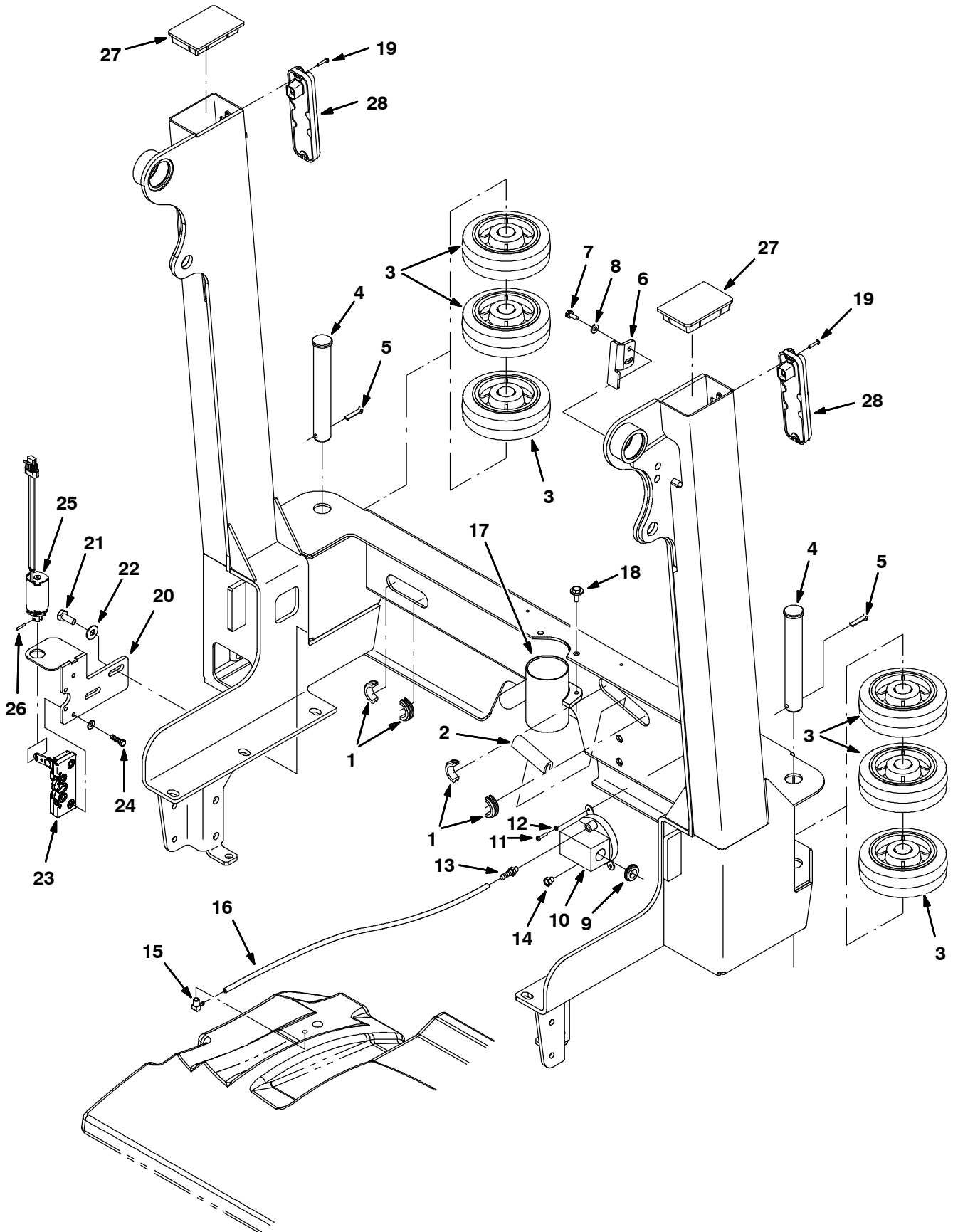


Fig. 36 - Hopper Bumper Group

Ref.	Part No.	Serial Number	Description	Qty.
1	10632-1	(000000-xxxxxx)	Grommet, Rbr, 1.06id, F/1.4h, .19 Matl	2
1	10632-13	(xxxxxx-)	Grommet, Rbr, 1.50id, F/1.8h, .19 Matl	2
2	50646	(000000-)	Molding, Trim, Pvc,.18-.31 07.5l	1
3	1021047	(000000-)	Wheel, 06.0d 2.00w 1.19b, Gray Rbr	6
4	1017672	(000000-)	Pin, Clevis, 30mmd X 200mml	2
5	08171	(000000-)	Pin, Cotter, .156 X 2.00	2
6	1018240	(000000-)	Bracket, Mtg, Switch	1
7	361339	(000000-)	Screw, Hex, M6 X 1.0 X 16, Fmg	2
8	32483	(000000-)	Washer, Flat, 0.25 Sae	2
9	10632-4	(000000-)	Grommet, Rbr, 0.62id, F/0.9h, .06 Matl	1
10	39924	(000000-)	Switch, Press, Spdt 0008psi	1
11	12323	(000000-)	Screw, Pan, M4 X 0.7 X 20, Ss	2
12	02938	(000000-)	Washer, Lock, Int, #08, Ss	2
13	40607	(000000-)	Fitting, Brs, Str, Bm03/Pm02	1
14	82739	(000000-)	Fitting, Brs, Breather [02mp]	1
15	32183	(000000-)	Fitting, Brs, E90, Pm02/Bm03	1
16	1031575	(000000-)	Hose, Afmkt, Vacuum, 0.16id, 03ft	1
17	1036240	(000000-)	Tube, Vacuum	1
18	1037346	(000000-)	Screw, Hex, M8 X 1.25 X 25, 9.8, Sems	2
19	06928	(000000-)	Screw, Pan, M4 X 0.7 X 20, 4.8	4
20	1018280	(000000-)	Plate Wldt, Mtg, Solenoid	1
21	09028	(000000-xxxxxx)	Screw, Hex, M10 X 1.5 X 25, Ss	2
21	12309	(xxxxxx-)	Screw, Hex, M12 X 1.75 X 30, Ss	2
22	32492	(000000-xxxxxx)	Washer, Flat, 0.38 Std	2
22	32486	(xxxxxx-)	Washer, Flat, 0.50, Sae	2
23	21623	(000000-)	Latch	1
24	06944	(000000-)	Screw, Hex, M6 X 1.0 X 25, 8.8	4
25	1018274	(000000-)	Solenoid, Pull, 12vdc, Damper	1
26	20021	(000000-)	Pin, Roll, .125 D X 0.75l, .125/.129	1
27	1018293	(000000-)	Cap, Arm, Lift	2
28	1018208	(000000-)	Light, Tail, 12vdc	2

Fig. 37 - Hopper Door Group

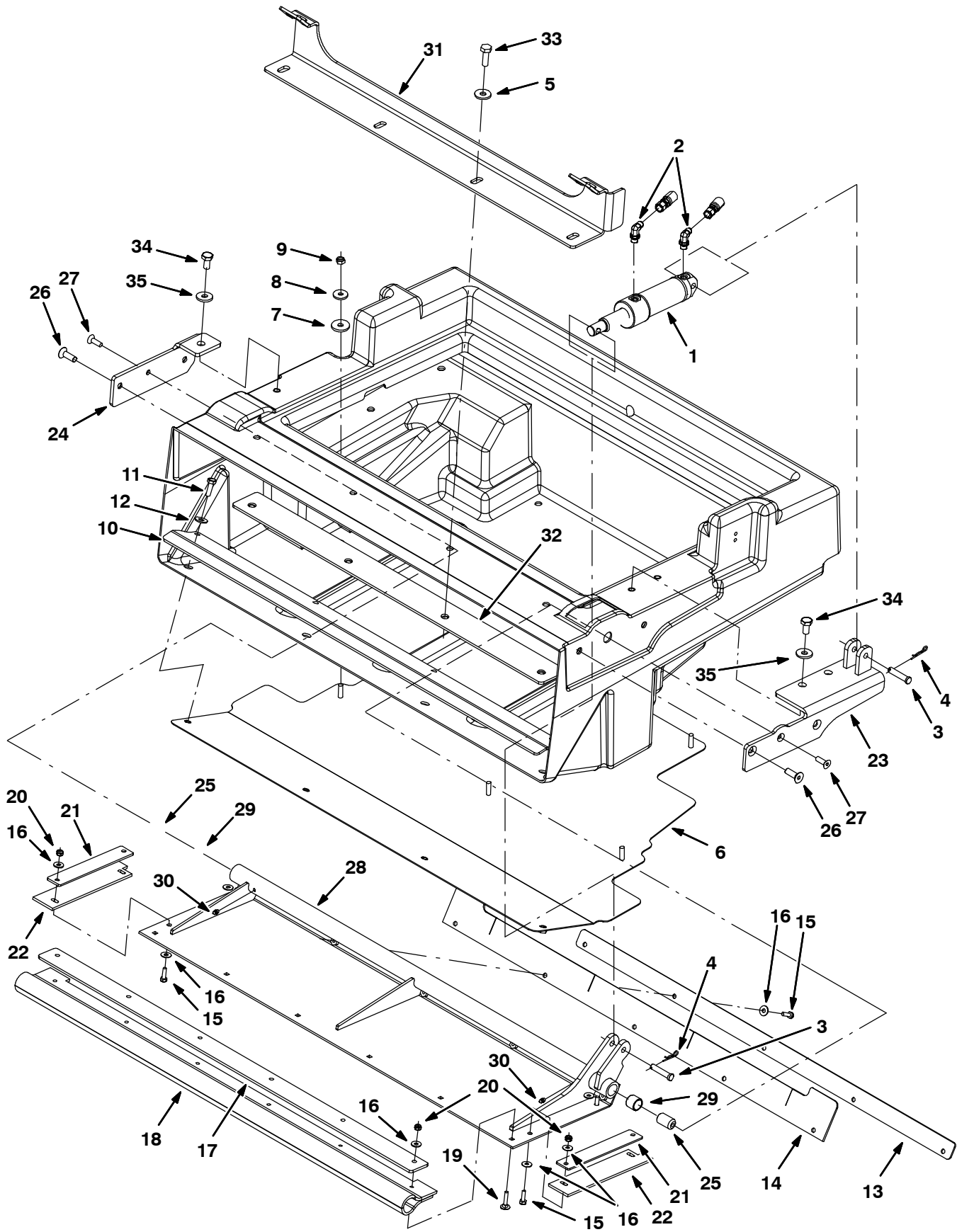


Fig. 37 - Hopper Door Group

Ref.	Part No.	Serial Number	Description	Qty.
1	1021941	(000000-) Door Cyl, Hppr [Mako]	1
2	77097	(000000-) Fitting, Hyd, E90, Jm04/Om04	2
3	17461	(000000-) Pin, Clevis, 0.37d X 1.75l	2
4	08179	(000000-) Pin, Cotter, .094 X 1.00	2
5	1014563	(000000-) Washer, Flat, 0.40b 1.12d .12, Ss	4
6	1018237	(000000-) Plate, Bottom, Hppr	1
7	222268	(000000-) Washer, Flat, 0.38b 1.25d .12, Neo	2
8	1017218	(000000-) Washer, Flat, 0.32b 1.00d .12, Ss	2
9	08713	(000000-) Nut, Hex, Lock, M8 X 1.25, NI, Ss	2
10	1018236	(000000-) Bracket, Lip, Hppr	1
11	09010	(000000-) Screw, Hex, M8 X 1.25 X 25, Ss	4
12	01685	(000000-) Washer, Flat, 0.31, Ss	4
13	1018244	(000000-) Strap, Door, Dump	1
14	1018245	(000000-) Seal, Door, Dump	1
15	08716	(000000-) Screw, Hex, M6 X 1.0 X 20, Ss	9
16	01684	(000000-) Washer, Flat, 0.25, Ss	19
17	1018196	(000000-) Plate, Retainer, Door, Dump	1
18	1018197	(000000-) Seal, Door, Dump	1
19	379791	(000000-) Bolt, Carriage, M06 X 1.0 X 30	6
20	08712	(000000-) Nut, Hex, Lock, M6 X 1.0, Ss, NI	10
21	1018194	(000000-) Strap, Door, Dump, Side	2
22	1018199	(000000-) Seal, Door, Dump, Side	2
23	1018210	(000000-) Bracket Wldt, Pivot, Hppr Door, Lh	1
24	1018202	(000000-) Bracket, Pivot, Hppr Door, Rh	1
25	1018193	(000000-) Bushing, Pivot, Door	2
26	395825	(000000-) Screw, Flt, M10 X 1.5 X 30, Ss 18-8	4
27	07810	(000000-) Screw, Flt, M8 X 1.25 X 25, 10.9	2
28	1016463	(000000-) Door Wldt, Hppr	1
29	64379	(000000-) Bushing, Sleeve, 0.75b 0.88d 0.75l, Tef	2
30	07259	(000000-) Fitting, Grease, Str Pm04 .47l	2
31	1018206	(000000-) Bracket, Cover	1
32	1018253	(000000-) Bracket, Cover	1
33	12317	(000000-) Screw, Hex, M10 X 1.5 X 30, Ss	4
34	09291	(000000-) Screw, Hex, M10 X 1.5 X 20, Ss	3
35	1014563	(000000-) Washer, Flat, 0.40b 1.12d .12, Ss	3

Fig. 38 - Cylindrical Scrub Brush Drive Group, Left Side

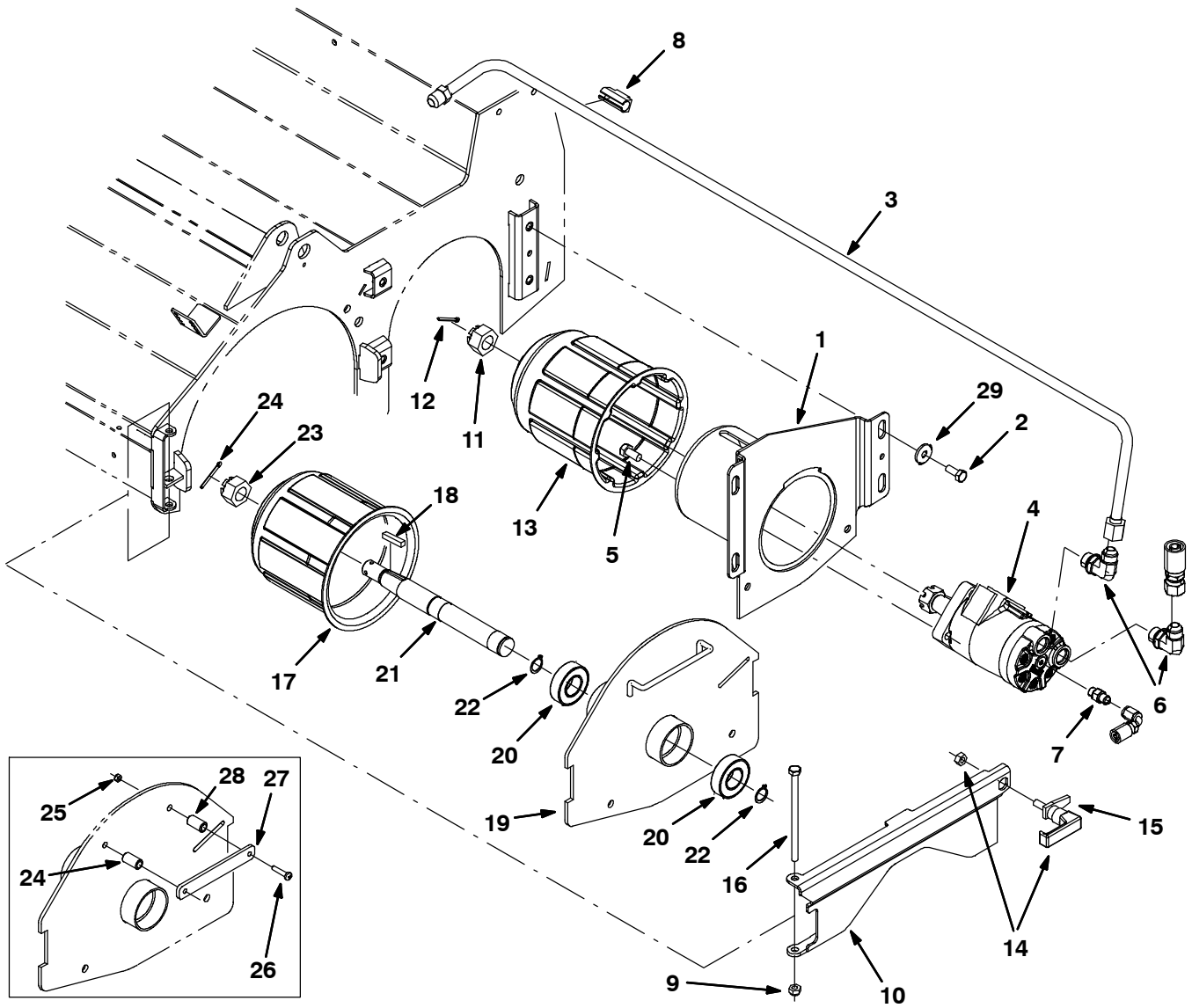


Fig. 38 - Cylindrical Scrub Brush Drive Group, Left Side

Ref.	Part No.	Serial Number	Description	Qty.
1	1021019	(000000-) Housing Wldt, Brush, Drive	1
2	15675	(000000-) Screw, Hex, M8 X 1.25 X 16, Ss	4
3	1023617	(000000-) Tube, Hyd, 08 Jf08/Jm08	1
4	71729	(000000-) Motor, Hyd, Gear, Int 04.5 Bi-Dir 1500 (See Breakdown)	1
5	01762	(000000-) Screw, Hex, .38-16 X 0.75, NI	4
6	44868	(000000-) Fitting, Hyd, E90, Jm08/Om08	2
7	55586	(000000-) Fitting, Hyd, Str, Jm04/Om04	1
8	1026080	(000000-) Clamp, Hyd, 0.50d	1
9	08713	(000000-) Nut, Hex, Lock, M8 X 1.25, NI, Ss	11
10	1029964	(000000-) Door Wldt, Brush	1
11	12295	(000000-) Nut, Hex, Sltd, M20 X 2.5, 8	1
12	08175	(000000-) Pin, Cotter, .125 X 1.25	1
13	87631	(000000-) Plug Wldt, Drive, Brush, Sweep	1
14	65695	(000000-) Latch	1
15	1026352	(000000-) Pawl, Str	1
16	70563	(000000-) Screw, Hex, M8 X 1.25 X 130, 8.8	1
▽	9006398	(000000-) Idler Assy, Brush, Replmt [M20/T20, M30]	1
▲	17 25686	(000000-) Plug Wldt, Drive, Brush	1
▲	18 00927	(000000-) Key, Sq, 0.25 X 0.25, 1.25l	1
▲	19 1038258	(000000-) Door Wldt, Brush, Idler	1
▲	20 13534	(000000-) Bearing, Ball, 0.98b 2.05d 0.59w	2
▲	21 56078	(000000-) Shaft, Brush, Idler	1
▲	22 09005	(000000-) Ring, Retaining, Ext, 1.00d, Basic	2
▲	23 12295	(000000-) Nut, Hex, Sltd, M20 X 2.5, 8	1
▲	24 08175	(000000-) Pin, Cotter, .125 X 1.25	1
	25 09739	(000000-002167) Nut, Hex, Lock, M5 X 0.8, NI, Ss	2
	26 17185	(000000-002167) Screw, Pan, M5 X 0.8 X 40, Ss	2
	27 1032743	(000000-002167) Plate, Handle	1
	28 222496	(000000-002167) Sleeve, P/M, 0.31b 0.50d 0.9l [430ss]	2
	29 32491	(000000-) Washer, Flat, 0.31, Std	4

Fig. 39 - Cylindrical Scrub Brush Drive Group, Right Side

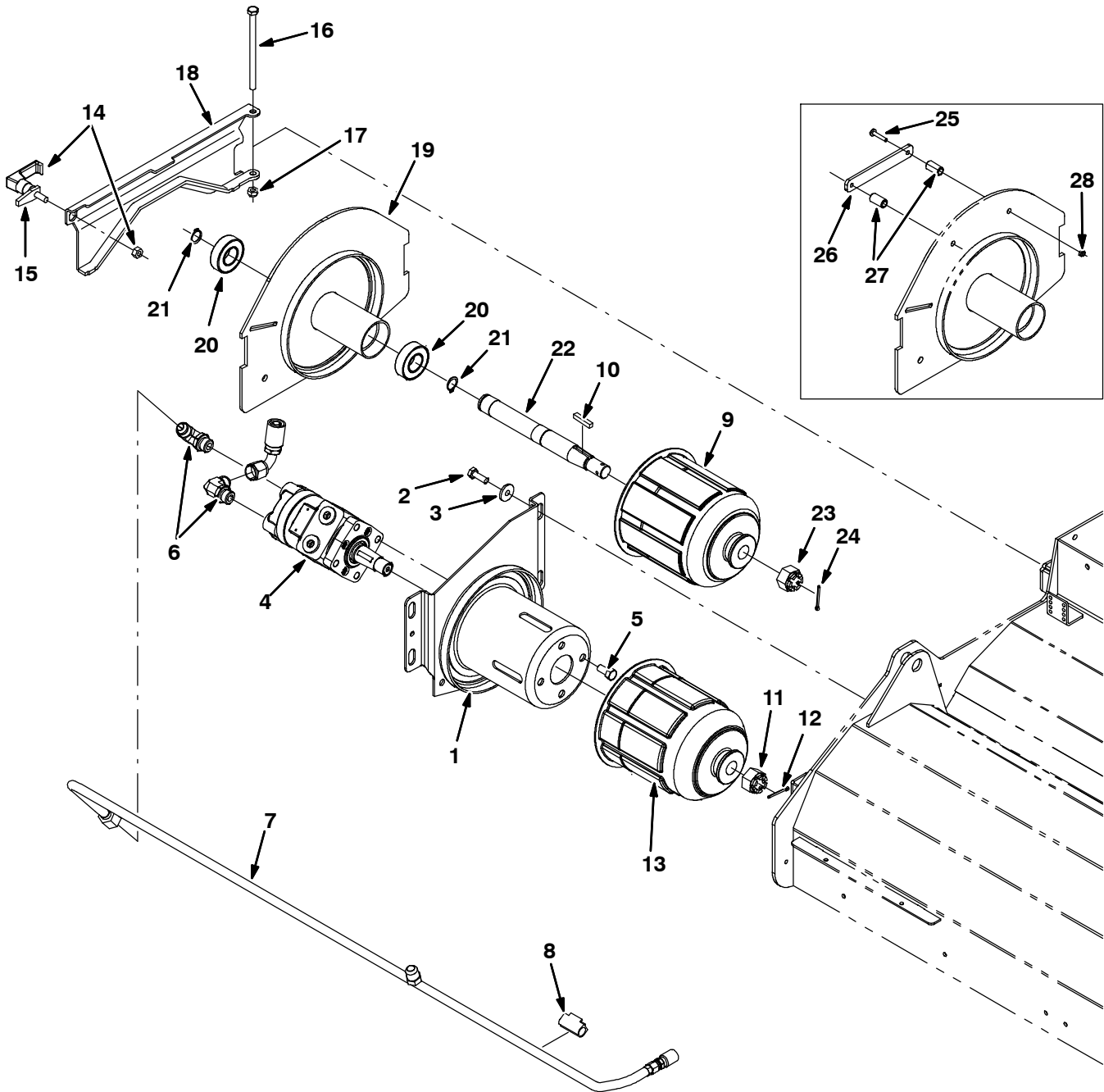


Fig. 39 - Cylindrical Scrub Brush Drive Group, Right Side

Ref.	Part No.	Serial Number	Description	Qty.	
1	1021019	(000000-) Housing Wldt, Brush, Drive	1	
2	15675	(000000-) Screw, Hex, M8 X 1.25 X 16, Ss	4	
3	32491	(000000-) Washer, Flat, 0.31, Std	4	
4	71729	(000000-) Motor, Hyd, Gear, Int 04.5 Bi-Dir 1500 (See Breakdown)	1	
5	01762	(000000-) Screw, Hex, .38-16 X 0.75, NI	4	
6	44868	(000000-) Fitting, Hyd, E90, Jm08/Om08	2	
7	1023303	(000000-) Tube, Hyd, Brush Return	1	
8	1026080	(000000-) Clamp, Hyd, 0.50d	1	
9	25686	(000000-) Plug Wldt, Drive, Brush	1	
10	00927	(000000-) Key, Sq, 0.25 X 0.25, 1.25l	1	
11	12295	(000000-) Nut, Hex, Sltd, M20 X 2.5, 8	1	
12	08175	(000000-) Pin, Cotter, .125 X 1.25	1	
13	87631	(000000-) Plug Wldt, Drive, Brush, Sweep	1	
14	65695	(000000-) Latch	1	
15	1026352	(000000-) Pawl, Str	1	
16	70563	(000000-) Screw, Hex, M8 X 1.25 X 130, 8.8	1	
17	08713	(000000-) Nut, Hex, Lock, M8 X 1.25, NI, Ss	1	
18	1029964	(000000-) Door Wldt, Brush	1	
▽	9006398	(000000-) Idler Assy, Brush, Replmt [M20/T20, M30]	1	
▲	19	1038258	(000000-) Door Wldt, Brush, Idler	1
▲	20	13534	(000000-) Bearing, Ball, 0.98b 2.05d 0.59w	2
▲	21	09005	(000000-) Ring, Retaining, Ext, 1.00d, Basic	2
▲	22	56078	(000000-) Shaft, Brush, Idler	1
▲	23	12295	(000000-) Nut, Hex, Sltd, M20 X 2.5, 8	1
▲	24	08175	(000000-) Pin, Cotter, .125 X 1.25	1
25	17185	(000000-002167) Screw, Pan, M5 X 0.8 X 40, Ss	2	
26	1032743	(000000-002167) Plate, Handle	1	
27	222496	(000000-002167) Sleeve, P/M, 0.31b 0.50d 0.9l [430ss]	2	
28	09739	(000000-002167) Nut, Hex, Lock, M5 X 0.8, NI, Ss	2	

Fig. 40 - Cylindrical Scrub Brush Head Lift Group

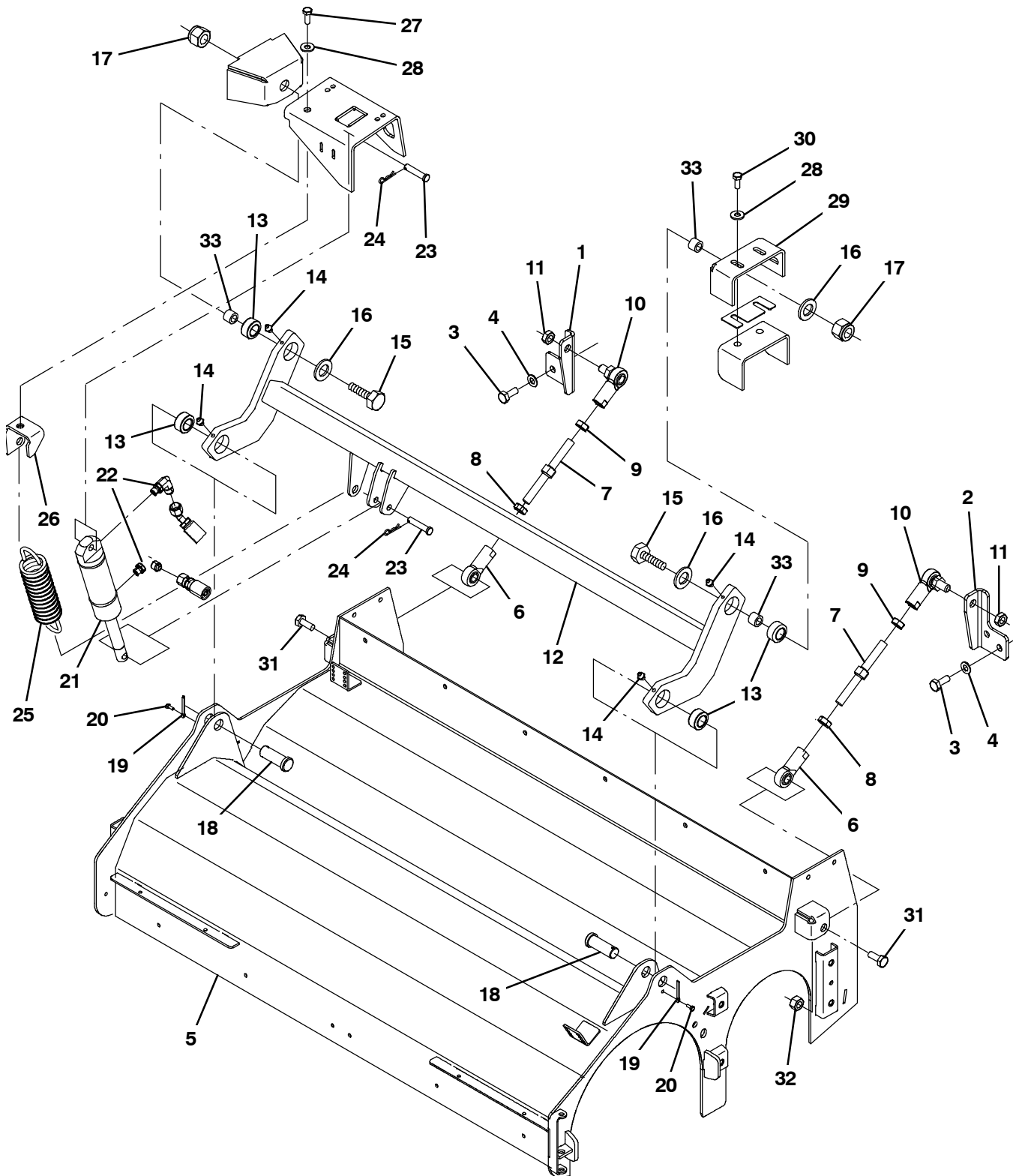


Fig. 40 - Cylindrical Scrub Brush Head Lift Group

Ref.	Part No.	Serial Number	Description	Qty.
1	1030910	(000000-) Bracket, Mtg, Scb Head, Rh	1
2	1030911	(000000-) Bracket, Mtg, Scb Head, Lh	1
3	09028	(000000-) Screw, Hex, M10 X 1.5 X 25, Ss	4
4	32485	(000000-) Washer, Flat, 0.38 Sae	4
5	1020002	(000000-) Housing Wldt, Swp, Scb	1
6	67555	(000000-) Rod-End, .50-20rh Fem 0.50b	2
7	1014705	(000000-) Rod, Thrd, 2 End, .50-20 04.9l, Rh / Lh	2
8	48985	(000000-) Nut, Hex, Jam, .50-20	2
9	71369	(000000-) Nut, Hex, Jam, .50-20, Lh	2
10	382099	(000000-) Rod-End, .50-20lh Fem 0.50-20stud	2
11	51824	(000000-) Nut, Hex, Lock, .50-20, NI, Thin	2
12	1020003	(000000-) Tube Wldt, Torque	1
13	42120	(000000-) Bearing, Self Align, 0.75b 1.25d	4
14	07259	(000000-) Fitting, Grease, Str Pm04 .47l	4
15	06969	(000000-) Screw, Hex, M12 X 1.75 X 40, 8.8	2
16	41619	(000000-) Washer, Flat, 0.56b 1.38d .11, Ss	2
17	09741	(000000-) Nut, Hex, Lock, M12 X 1.75, NI, Ss	2
18	04733-12	(000000-) Pin, Clevis, 0.75d X 2.00l	2
19	08236	(000000-) Pin, Cotter, .156 X 1.25	2
20	223198	(000000-) Screw, Hex, M5 X 0.8 X 10, Fmg	2
21	1038137	(000000-) Cylinder, Hyd, 1.5b 07.8l 02.80strk 2500	1
22	77098	(000000-) Fitting, Hyd, E90, Jm06/Om04	2
23	17461	(000000-) Pin, Clevis, 0.37d X 1.75l	2
24	86866	(000000-) Pin, Cotter, Hair, 0.38d .072 Wir	2
25	1031413	(000000-) Spring, Extn, 1.68od X .203wir, 7.5l	1
26	1027810	(000000-) Bracket, Mtg, Spring	1
27	763090	(000000-) Screw, Hex, M8 X 1.25 X 60, FI	1
28	32491	(000000-) Washer, Flat, 0.31, Std	4
29	1019146	(000000-) Bracket, Mtg, Lift, Scb Head	1
30	09740	(000000-) Screw, Hex, M8 X 1.25 X 20, Ss	3
31	39811	(000000-) Screw, Hex, .50-13 X 1.50, 5	2
32	36644	(000000-) Nut, Hex, Lock, .50-13, NI, Thin	2
33	1025100	(000000-) Sleeve, P/M, 0.47b 0.75d 0.5l [430ss]	3

Fig. 41 - Cylindrical Brush Head Skirt Group

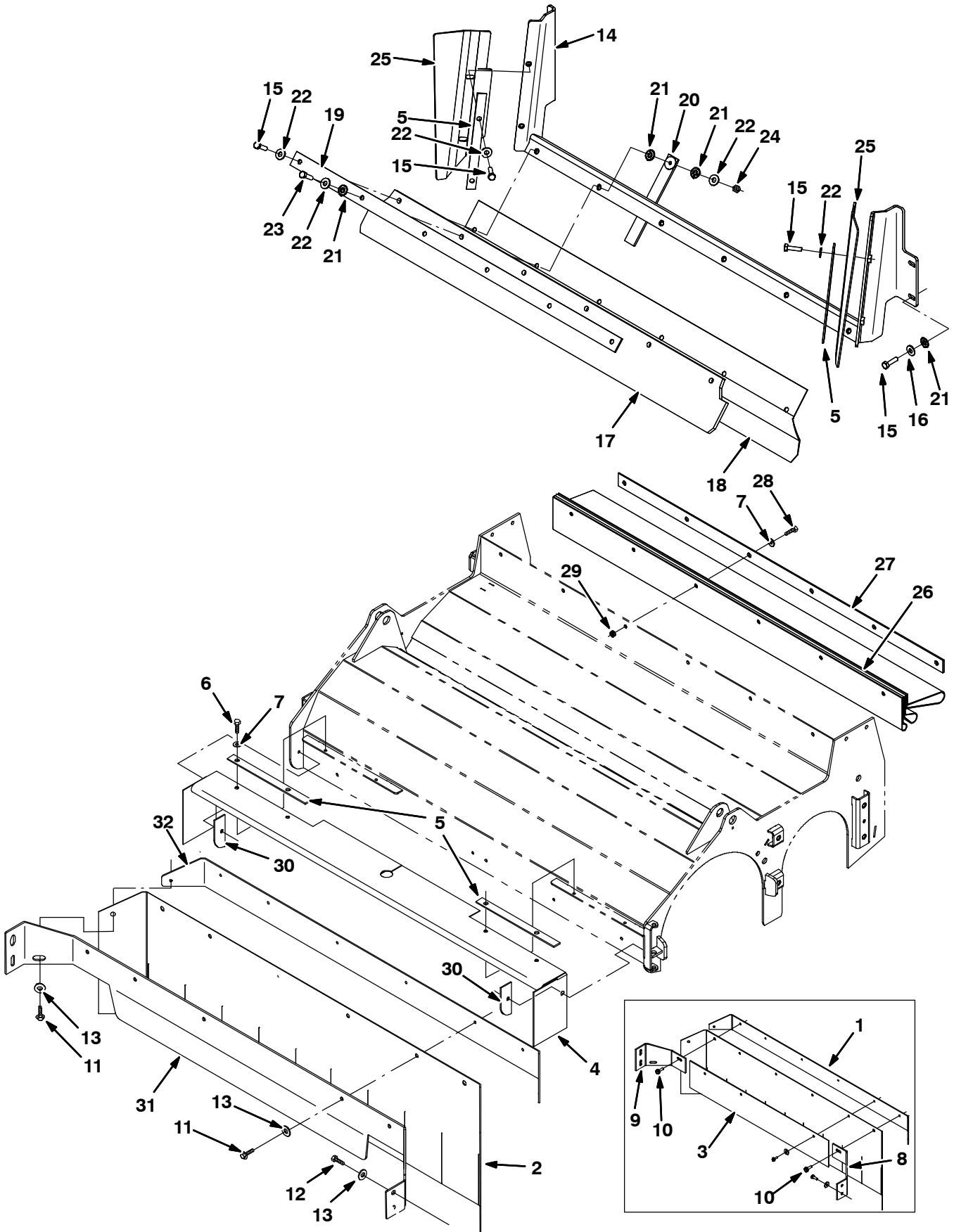


Fig. 41 - Cylindrical Brush Head Skirt Group

Ref.	Part No.	Serial Number	Description	Qty.
1	1020208	(000000-002275)	Plate, Skirt, Front	1
2	1020166	(000000-	Skirt, Neo, .06, 12.00w 45.88l, 07 Hole	1
3	1020207	(000000-002275)	Retainer, Skirt, Front	1
4	1022363	(000000-	Skirt, Neo, .06, 07.63w 51.52l, 11 Hole	1
5	1022003	(000000-	Retainer, Skirt	4
6	361339	(000000-	Screw, Hex, M6 X 1.0 X 16, Fmg	6
7	01684	(000000-	Washer, Flat, 0.25, Ss	12
8	1024570	(000000-002275)	Bracket, Mtg, Skirt	1
9	1020163	(000000-002275)	Bracket, Mtg, Skirt	1
10	76099	(000000-002275)	Screw, Hex, M8 X 1.25 X 25, Fmg	4
11	361339	(000000-	Screw, Hex, M6 X 1.0 X 16, Fmg	7
12	09740	(000000-	Screw, Hex, M8 X 1.25 X 20, Ss	4
13	01685	(000000-	Washer, Flat, 0.31, Ss	11
14	1022179	(000000-	Bracket Wldt, Flap, Recirculation	1
15	09010	(000000-	Screw, Hex, M8 X 1.25 X 25, Ss	13
16	32491	(000000-	Washer, Flat, 0.31, Std	4
17	1022007	(000000-	Skirt, Rbr, .37, 04.50w 40.94l, 06 Hole	1
18	1022009	(000000-	Skirt, Neo, .06, 06.38w 40.86l, 06 Hole	1
19	1020828	(000000-	Strip, Flap, Recirculation	1
20	1028852	(000000-	Strap, Static, Afrmkt	1
21	41141	(000000-	Washer, Lock, Int-Ext, 0.31	7
22	01685	(000000-	Washer, Flat, 0.31, Ss	11
23	33401	(000000-	Screw, Hex, M8 X 1.25 X 50, Ss, FI	1
24	08713	(000000-	Nut, Hex, Lock, M8 X 1.25, NI, Ss	1
25	1022165	(000000-	Skirt, Neo, .12, 05.39w 14.01l, 02 Sl	2
26	1026108	(000000-	Skirt, Neo, .06, 26.99w 40.55l, 36 Hole	1
27	1020828	(000000-	Strip, Flap, Recirculation	1
28	07805	(000000-	Screw, Hex, M6 X 1.0 X 35, Ss	6
29	08712	(000000-	Nut, Hex, Lock, M6 X 1.0, Ss, NI	6
30	1022359	(000000-	Plate, Mtg, Skirt, Scb Head	2
31	1039396	(002276-	Bracket, Mtg, Skirt	1
32	1040018	(002276-	Plate, Skirt, Front	1

Fig. 42 - Squeegee Lift Group, Rear

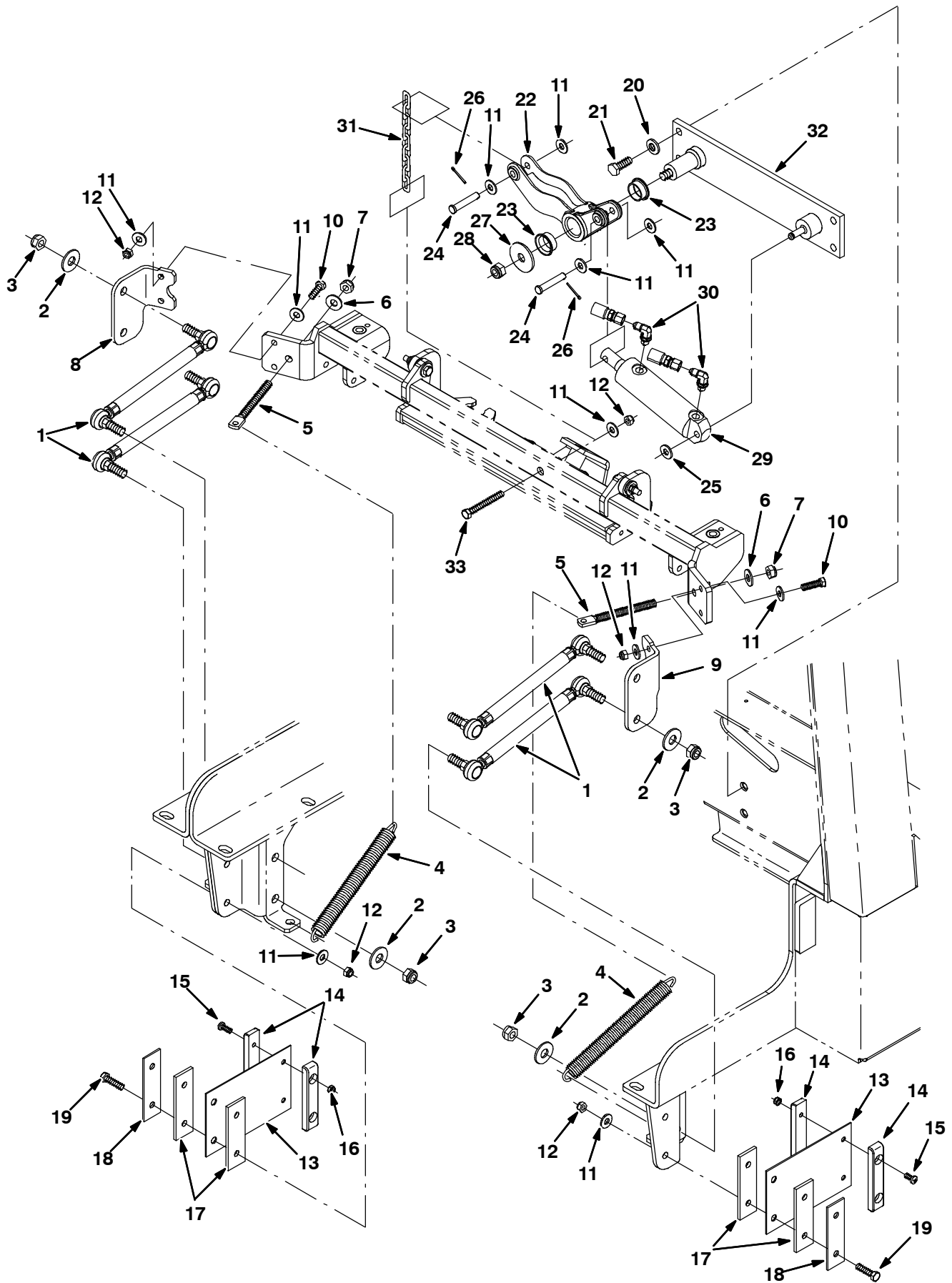


Fig. 42 - Squeegee Lift Group, Rear

Ref.	Part No.	Serial Number	Description	Qty.
1	1026007	(000000-) Link Assy, Rod-End, M12	4
2	41619	(000000-) Washer, Flat, 0.56b 1.38d .11, Ss	8
3	09741	(000000-) Nut, Hex, Lock, M12 X 1.75, NI, Ss	8
4	46785-1	(000000-) Spring, Extn, 0.88od X 0.14wir, 9.0l	2
5	1007220	(000000-) Bolt, Eye, M10 X 1.5 X 117mm, 8.0 Eye	2
6	01686	(000000-) Washer, Flat, 0.44b 1.00d .08, Ss	2
7	08714	(000000-) Nut, Hex, Lock, M10 X 1.5, NI, Ss	2
8	1022372	(000000-) Angle, Rh	1
9	1022442	(000000-) Angle, Lh	1
10	09010	(000000-) Screw, Hex, M8 X 1.25 X 25, Ss	4
11	01685	(000000-) Washer, Flat, 0.31, Ss	15
12	08713	(000000-) Nut, Hex, Lock, M8 X 1.25, NI, Ss	9
13	71204	(000000-) Spring, Flt, 0.08th, 4.50w X 07.0l	2
14	1024648	(000000-) Block, Centering	4
15	367770	(000000-) Screw, Pan, M6 X 1.0 X 16, Ss	4
16	08712	(000000-) Nut, Hex, Lock, M6 X 1.0, Ss, NI	4
17	1024641	(000000-) Spacer, Pad, Rbr	4
18	1024703	(000000-) Retainer, Spring	2
19	09023	(000000-) Screw, Hex, M8 X 1.25 X 35, Ss, FI	4
20	41187	(000000-) Washer, Flat, Belleville, .38	4
21	12317	(000000-) Screw, Hex, M10 X 1.5 X 30, Ss	4
22	1025680	(000000-) Bellcrank, Lift, Sqge	1
23	367313	(000000-) Bushing, Flng, 1.00b 1.13d 0.50l	2
24	29584	(000000-) Pin, Clevis, 0.37d X 2.00l	2
25	23524-1	(000000-) Ring, Retaining, Ext, 0.38d, [Selflock]	1
26	08179	(000000-) Pin, Cotter, .094 X 1.00	2
27	04414	(000000-) Washer, Flat, 0.53b 1.88d .12, Stl, PI	1
28	09741	(000000-) Nut, Hex, Lock, M12 X 1.75, NI, Ss	1
29	1038137	(000000-) Cylinder, Hyd, 1.5b 07.8l 02.80strk 2500	1
30	77097	(000000-) Fitting, Hyd, E90, Jm04/Om04	2
31	1023779	(000000-) Chain, Str, 4/0, 08 Link	1
32	1021609	(000000-) Plate Wldt, Lift, Sqge	1
33	06957	(002102-) Screw, Hex, M8 X 1.25 X 60, 8.8	1

Fig. 43 - Squeegee Group, Rear

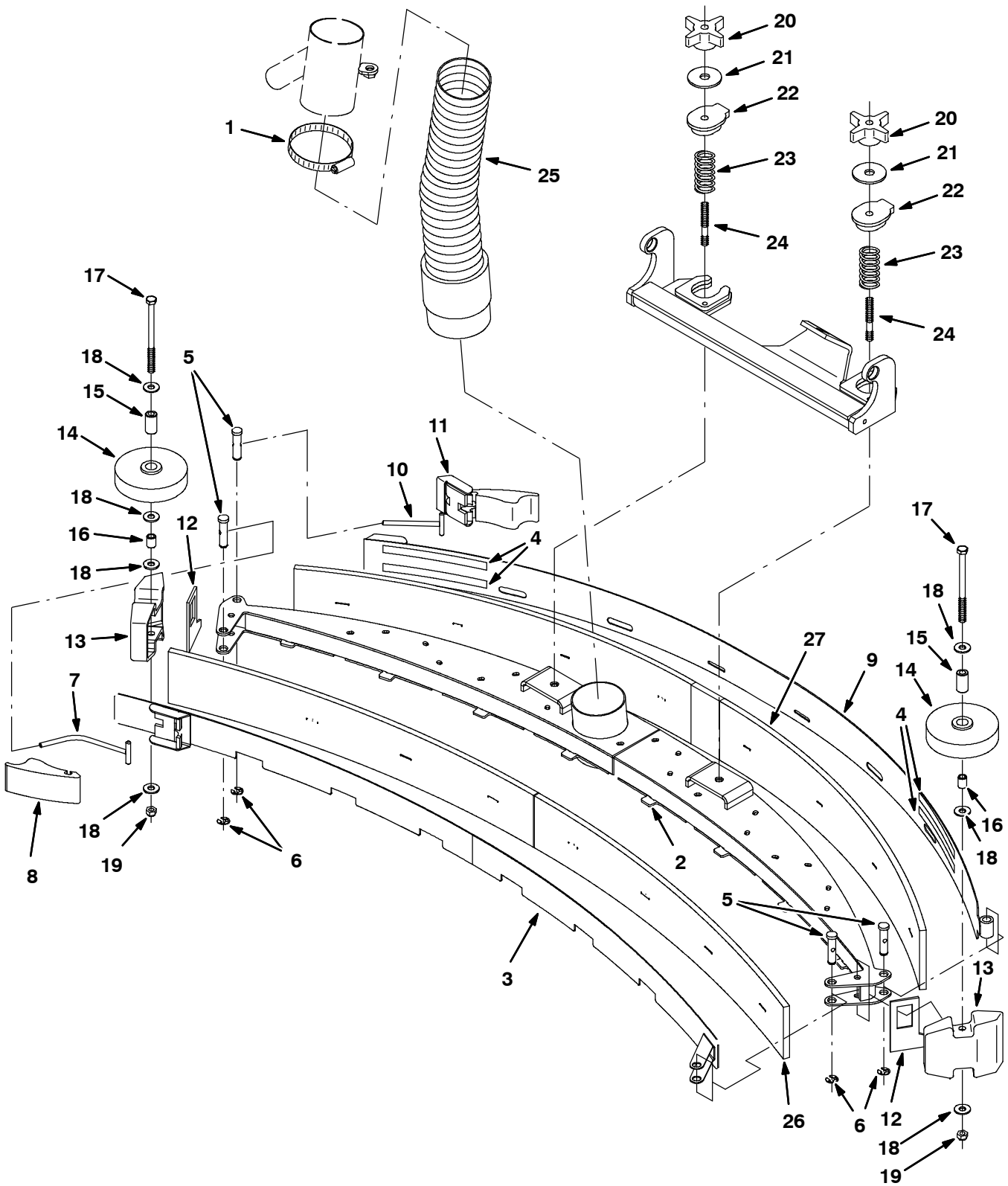


Fig. 43 - Squeegee Group, Rear

Ref.	Part No.	Serial Number	Description	Qty.
	1	43555	(000000-) Clamp, Hose, Wormdrive, 2.50-3.50d, .50w	1
▽	9004493	(000000-)	Squeegee Kit, Rear, Replmt [M20/T20]	1
▲	2	1022831	(000000-) Squeegee Wldt, Rear	1
▲	3	1023239	(000000-) Clamp Wldt, Front	1
▲	4	03495	(000000-) Strip, Non-Slip, 0.50w 06.0l	4
▲	5	21603	(000000-) Pin, Grvd, 0.43d 01.8l [303ss]	4
▲	6	24555	(000000-) Ring, Retaining, Ext, 0.38d, [E-Ring]	4
▲	7	386298	(000000-) Pin Wldt, Front	1
▲	8	21601	(000000-) Cam	1
▲	9	1028374	(000000-) Clamp Wldt, Rear	1
▲	10	21606	(000000-) Bar Wldt, Retainer, Sqge, Rear	1
▲	11	21602	(000000-) Cam, Rear	1
▲	12	83874	(000000-) Gasket, Sqge	2
▲	13	386264	(000000-) Bumper, Sqge	2
▲	14	363162	(000000-) Wheel, 4.0d 0.89w 0.64b	2
▲	15	363301	(000000-) Sleeve, P/M, 0.34b 0.63d 1.2l, Bnz	2
▲	16	80395	(000000-) Sleeve, P/M, 0.31b 0.50d 0.7l [430ss]	2
▲	17	364441	(000000-) Screw, Hex, M8 X 1.25 X 110, Ss	2
▲	18	01685	(000000-) Washer, Flat, 0.31, Ss	10
▲	19	08713	(000000-) Nut, Hex, Lock, M8 X 1.25, NI, Ss	2
	20	370100	(000000-) Knob, Star, 2.80d 4ear 1.1l .31-18 Pyp	2
	21	04414	(000000-) Washer, Flat, 0.53b 1.88d .12, Stl, Pl	2
	22	387433	(000000-) Ring, Mtg, Sqge, .50l	2
	23	387500	(000000-) Spring, Cmpr, 0.9od .042wir 02.0l	2
	24	387237	(000000-) Stud, .31-18 2.75l M8 X 1.25, Ss	2
	25	1021511	(000000-) Hose, Vacuum, 19.0l	1
	26	1017868	(000000-) Blade, Sqge, Front, 49.58l Linatex	1
	26	1027719	(000000-) Blade, Sqge, Front, 49.58l Ure (Option)	1
	27	1031331	(000000-) Blade, Sqge, Rear, Linatex	1
	27	1031945	(000000-) Blade, Sqge, Rear, 53.78l Ure (Option)	1

Fig. 44 - Squeegee Linkage Group, Rear

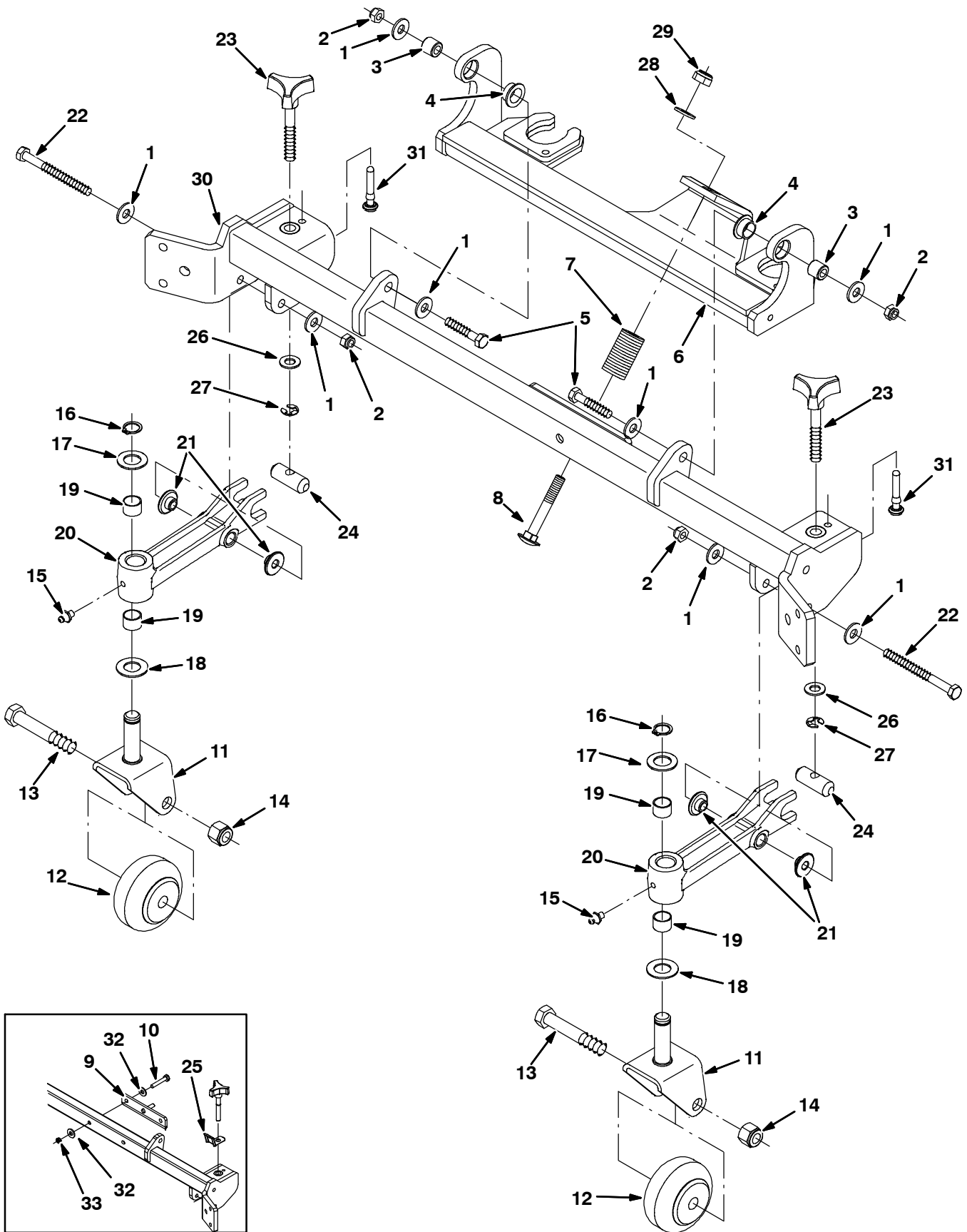


Fig. 44 - Squeegee Linkage Group, Rear

Ref.	Part No.	Serial Number	Description	Qty.
1	01685	(000000-) Washer, Flat, 0.31, Ss	6
2	08713	(000000-) Nut, Hex, Lock, M8 X 1.25, NI, Ss	4
3	80409	(000000-) Sleeve, P/M, 0.34b 0.63d 0.6l, Bnz	2
4	25735	(000000-) Bushing, Fling, 0.63b 0.75d 0.38l	2
5	222505	(000000-) Screw, Hex, M8 X 1.25 X 45, Ss	2
6	1023476	(000000-) Bracket Wldt, Mtg, Sqge	1
7	65180	(000000-) Spring, Dsl, 1.00od 0.50id 1.7l	1
8	1025601	(000000-) Bolt, Carriage, M10 X 1.5 X 70	1
9	1034147	(000000-002101) Pin Wldt, Lift (Replaced by 9003478)	1
10	222505	(000000-002101) Screw, Hex, M8 X 1.25 X 45, Ss	2
11	1021404	(000000-) Bracket Wldt, Mtg, Caster	2
12	20833	(000000-) Wheel, 3.0d 1.38w 0.50b	2
13	81952	(000000-) Screw, Hex, .50-13 X 3.00, Ss18-8	2
14	02931	(000000-) Nut, Hex, Lock, .50-13, NI, Ss	2
15	07259	(000000-) Fitting, Grease, Str Pm04 .47l	2
16	33373	(000000-) Ring, Retaining, Ext, 0.62d, Hd	2
17	63468	(000000-) Washer, Flat, 0.69b 1.19d .06, Stl, Pl	2
18	64425	(000000-) Washer, Thrust, 0.61b 1.25d .06, Fgl	2
19	07449	(000000-) Bushing, Sleeve, 0.62b 0.72d 0.50l, Fgl	4
20	1025460	(000000-) Caster, Pivot	2
21	80950	(000000-) Bushing, Fling, 0.32b 0.50d 0.24l, Bnz	4
22	39281	(000000-) Screw, Hex, M8 X 1.25 X 90, 8.8	2
23	1021546	(000000-) Knob Assy, Star, 1.12d 3ear M10	2
24	1021497	(000000-) Pin, 0.63d 01.8l, 1/M10h, 2cham	2
25	1022545	(000000-002049) Spring, Keeper	2
26	32485	(000000-) Washer, Flat, 0.38 Sae	2
27	24555	(000000-) Ring, Retaining, Ext, 0.38d, [E-Ring]	2
28	1014563	(000000-) Washer, Flat, 0.40b 1.12d .12, Ss	1
29	08714	(000000-) Nut, Hex, Lock, M10 X 1.5, NI, Ss	1
30	1034149	(000000-) Crossmember Wldt [M20]	1
31	1035727	(002050-) Stop, Rotation	2
32	01685	(000000-002101) Washer, Flat, 0.31, Ss	4
33	08713	(000000-002101) Nut, Hex, Lock, M8 X 1.25, NI, Ss	2

Fig. 45 - Squeegee Group, Right Side

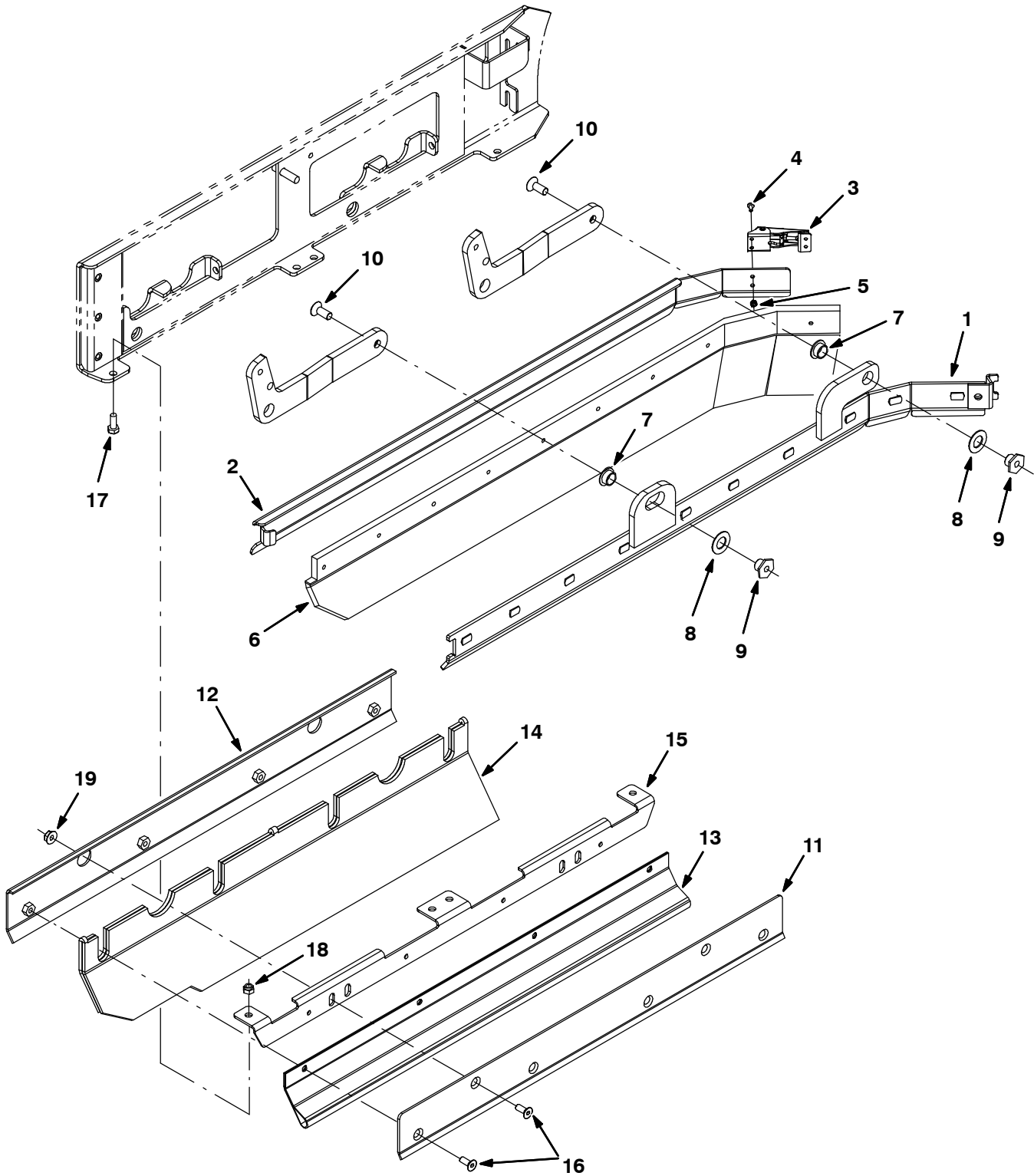


Fig. 45 - Squeegee Group, Right Side

Ref.	Part No.	Serial Number	Description	Qty.
1	1029132	(000000-) Frame Wldt, Sqge, Rh	1
2	1029128	(000000-) Retainer, Sqge, Side, Rh	1
3	384418	(000000-) Latch, Door [Southco 91-562-07]	1
4	49697	(000000-) Screw, Pan, M4 X 0.7 X 10, Ss	2
5	33932	(000000-) Nut, Hex, Lock, M4 X 0.7, NI, Ss	2
6	1031011	(000000-) Blade, Sqge, .38 3.55w 038.3l, Linatex	1
6	1031823	(000000-) Blade, Sqge, .38 3.55w 038.3l, Ure (Option)	1
7	25735	(000000-) Bushing, Flng, 0.63b 0.75d 0.38l	2
8	64425	(000000-) Washer, Thrust, 0.61b 1.25d .06, Fgl	2
9	1022846	(000000-) Nut, T, M10 X 1.50 X 15.8od X 13.0l	2
10	09081	(000000-) Screw, Flt, M10 X 1.5 X 25, 10.9	2
11	1024584	(000000-) Bracket, Mtg, Skirt, Brush Door	1
12	1024651	(000000-) Bracket, Mtg, Skirt, Door	1
13	1024586	(000000-) Skirt, Neo, .06, 06.85w 27.95l, 08 Hole	1
14	1019295	(000000-) Skirt, Neo, .18, 10.37w 27.95l, 12 H&S	1
15	1025151	(000000-) Bracket, Mtg, Skirt, Door, Brush	1
16	222463	(000000-) Screw, Flt, M8 X 1.25 X 20, Blk	6
17	393135	(000000-) Screw, Btn, M8 X 1.25 X 20, Blk	4
18	08713	(000000-) Nut, Hex, Lock, M8 X 1.25, NI, Ss	4
19	07791	(000000-) Nut, Hex, Flng, M8 X 1.25	2

Fig. 46 - Squeegee Lift Group, Right Side

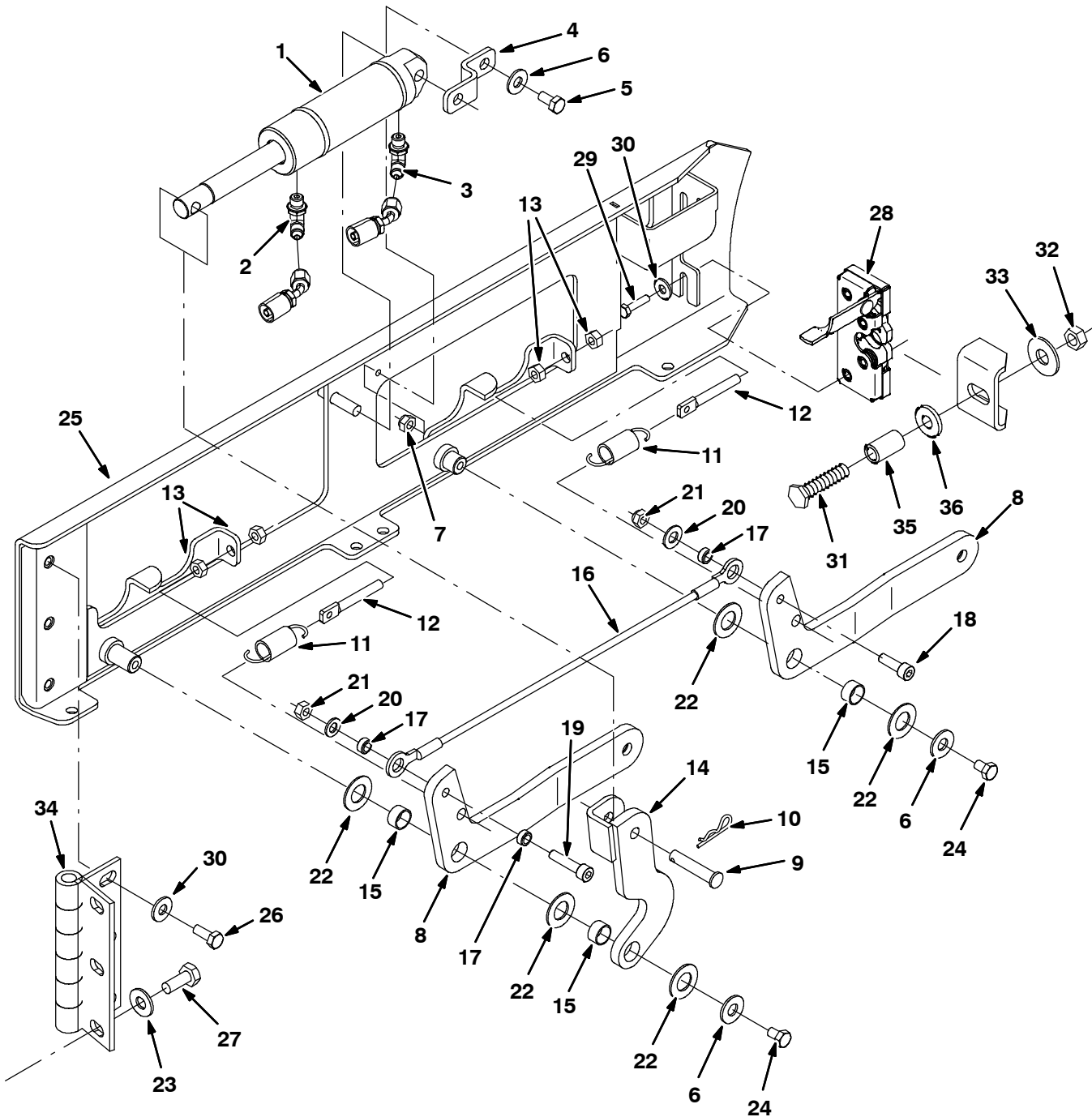


Fig. 46 - Squeegee Lift Group, Right Side

Ref.	Part No.	Serial Number	Description	Qty.
1	1038137	(000000-) Cylinder, Hyd, 1.5b 07.8l 02.80strk 2500	1
2	77097	(000000-) Fitting, Hyd, E90, Jm04/Om04	1
3	1028635	(000000-) Fitting, Hyd, Rst, Spcl	1
4	1022825	(000000-) Bracket, Mtg, Cyl	1
5	09740	(000000-) Screw, Hex, M8 X 1.25 X 20, Ss	1
6	01685	(000000-) Washer, Flat, 0.31, Ss	3
7	08713	(000000-) Nut, Hex, Lock, M8 X 1.25, NI, Ss	1
8	1020548	(000000-) Arm, Sqge, Side, Rh	2
9	17461	(000000-) Pin, Clevis, 0.37D X 1.75L	1
10	08182	(000000-) Pin, Cotter, .125 X 1.00	1
11	87816	(000000-) Spring, Extn, 0.75od X 0.09wir, 2.5l	2
12	386088	(000000-) Bolt, Eye, M08 X 1.25 X 070mm, 05.50 Eye	2
13	07786	(000000-) Nut, Hex, Std, M8 X 1.25, Ss	4
14	1023306	(000000-) Arm Wldt, Sqge, Lift, Rh	1
15	71607	(000000-) Bushing, Sleeve, 0.63b 0.72d 0.38l	3
16	81784	(000000-) Cable, Glv .13d 015.8l .50eye /.50eye	1
17	360801	(000000-) Sleeve, 0.31b 0.50d 0.3l, Ss	3
18	39308	(000000-) Screw, Soc, M8 X 1.25 X 25, 12.9	1
19	41445	(000000-) Screw, Soc, M8 X 1.25 X 35, 12.9	1
20	39349	(000000-) Washer, Flat, 0.31 Sae	2
21	08709	(000000-) Nut, Hex, Lock, M8 X 1.25, NI	2
22	64425	(000000-) Washer, Thrust, 0.61b 1.25d .06, Fgl	5
23	41187	(000000-) Washer, Flat, Belleville, .38	3
24	09740	(000000-) Screw, Hex, M8 X 1.25 X 20, Ss	2
25	1019031	(000000-) Door Wldt, Brush, Rh	1
26	09028	(000000-) Screw, Hex, M10 X 1.5 X 25, Ss	3
27	09740	(000000-) Screw, Hex, M8 X 1.25 X 20, Ss	3
28	59194	(000000-) Latch, Hook	1
29	09007	(000000-) Screw, Hex, M6 X 1.0 X 25, Ss	2
30	41185	(000000-) Washer, Flat, Belleville, .25	5
31	379870	(000000-) Screw, Hex, M12 X 1.75 X 55, Ss	1
32	07788	(000000-) Nut, Hex, Std, M12 X 1.75, Ss	1
33	41619	(000000-) Washer, Flat, 0.56b 1.38d .11, Ss	1
34	1024576	(000000-) Hinge, .50pin .19 4.0w 06.0l 3/0.44sl	1
35	36328	(000000-) Washer, Flat, Belleville, .50	1
36	1039348	(000000-) Sleeve, 0.49b 0.68d 1.2l [304ss]	1

Fig. 47 - Squeegee Group, Left Side

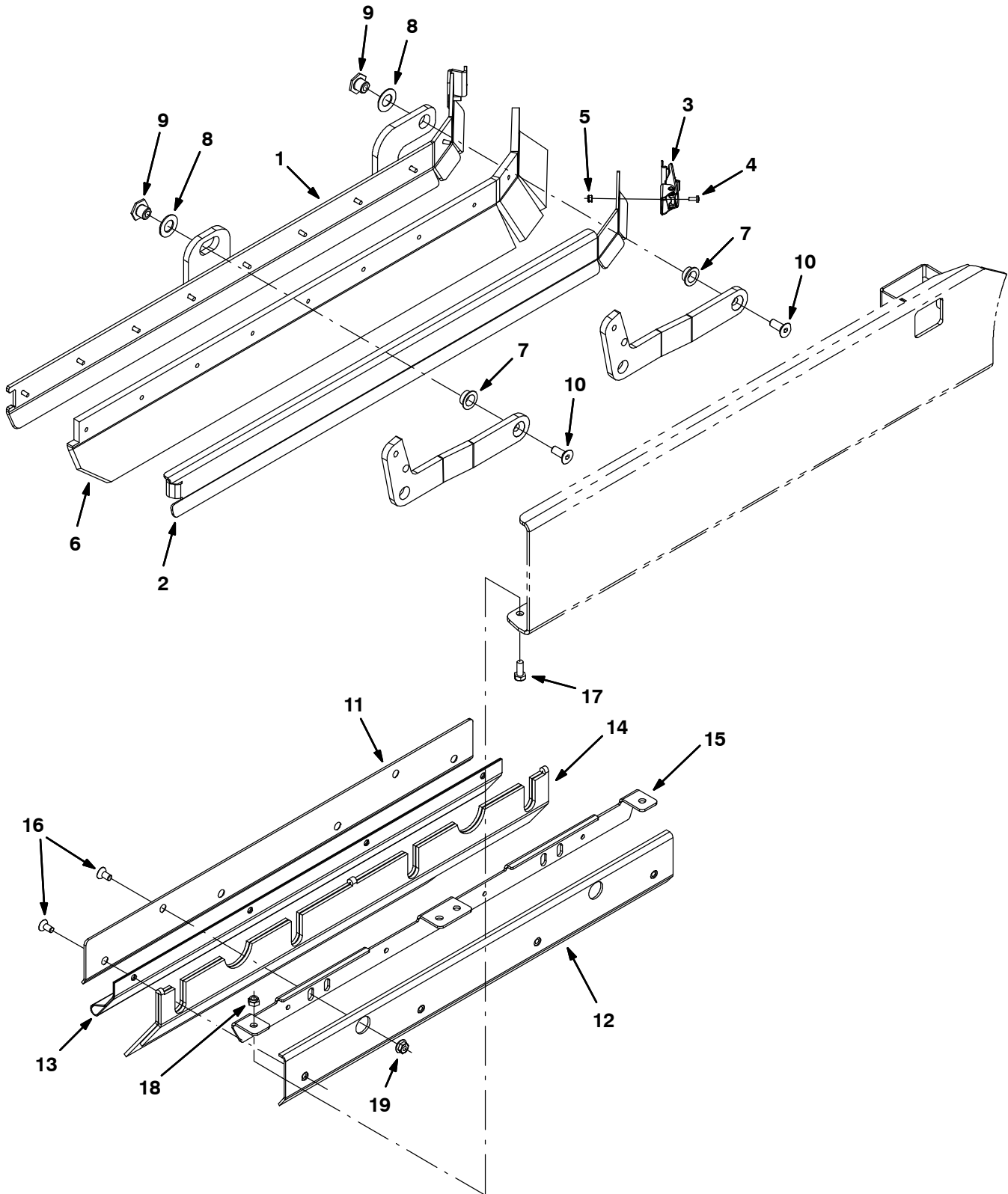


Fig. 47 - Squeegee Group, Left Side

Ref.	Part No.	Serial Number	Description	Qty.
1	1028972	(000000-) Frame Wldt, Sqge, Lh	1
2	1028979	(000000-) Retainer, Sqge, Side, Lh	1
3	384418	(000000-) Latch, Door [Southco 91-562-07]	1
4	49697	(000000-) Screw, Pan, M4 X 0.7 X 10, Ss	2
5	33932	(000000-) Nut, Hex, Lock, M4 X 0.7, NI, Ss	2
6	1031011	(000000-) Blade, Sqge, .38 3.55w 038.3l, Linatex	1
6	1031823	(000000-) Blade, Sqge, .38 3.55w 038.3l, Ure (Option)	1
7	25735	(000000-) Bushing, Flng, 0.63b 0.75d 0.38l	2
8	64425	(000000-) Washer, Thrust, 0.61b 1.25d .06, Fgl	2
9	1022846	(000000-) Nut, T, M10 X 1.50 X 15.8od X 13.0l	1
10	09081	(000000-) Screw, Flt, M10 X 1.5 X 25, 10.9	2
11	1024584	(000000-) Bracket, Mtg, Skirt, Brush Door	1
12	1024651	(000000-) Bracket, Mtg, Skirt, Door	1
13	1024586	(000000-) Skirt, Neo, .06, 06.85w 27.95l, 08 Hole	1
14	1019295	(000000-) Skirt, Neo, .18, 10.37w 27.95l, 12 H&S	1
15	1025151	(000000-) Bracket, Mtg, Skirt, Door, Brush	1
16	222463	(000000-) Screw, Flt, M8 X 1.25 X 20, Blk	6
17	393135	(000000-) Screw, Btn, M8 X 1.25 X 20, Blk	4
18	08713	(000000-) Nut, Hex, Lock, M8 X 1.25, NI, Ss	4
19	07791	(000000-) Nut, Hex, Flng, M8 X 1.25	2

Fig. 48 - Squeegee Lift Group, Left Side

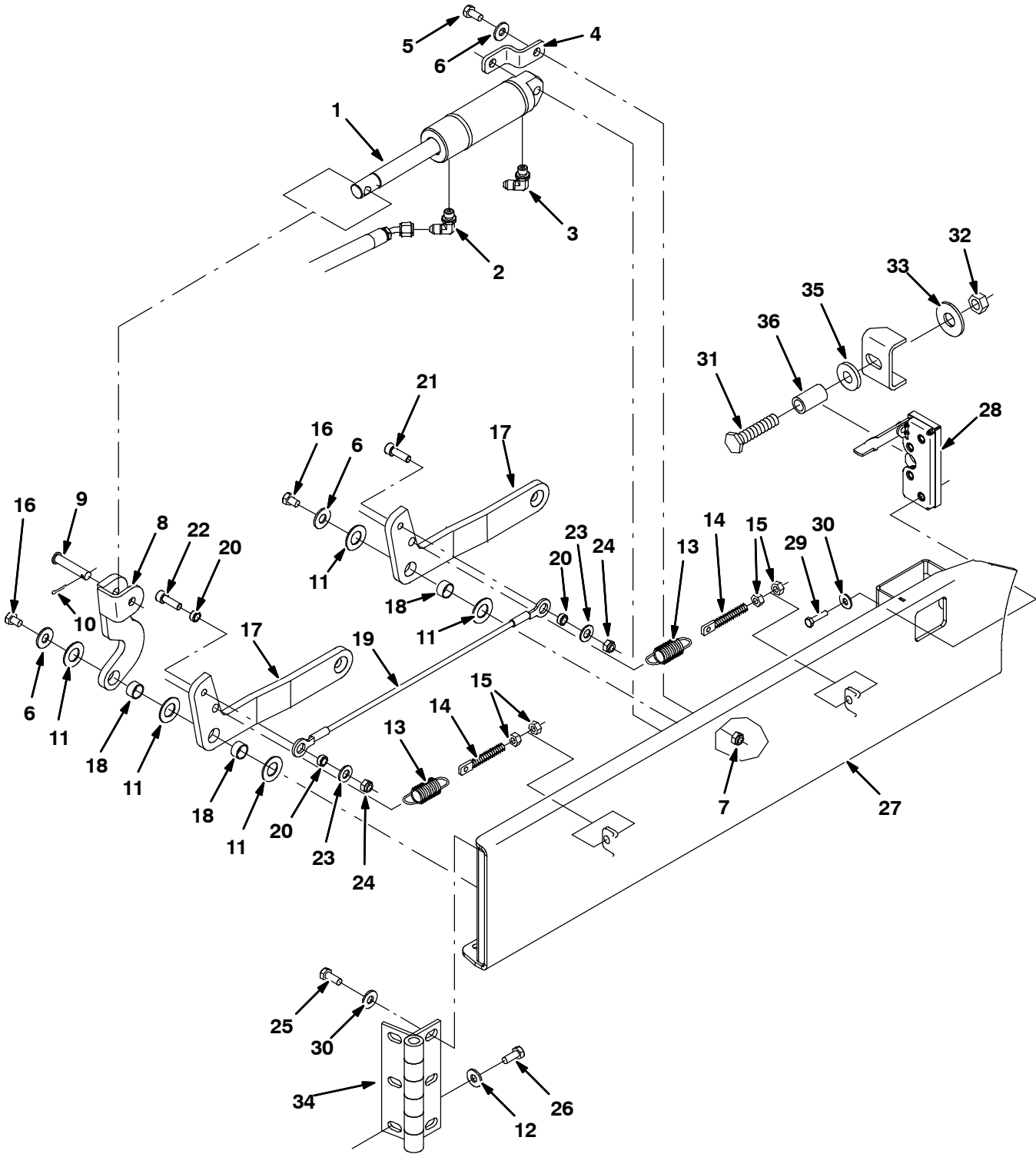


Fig. 48 - Squeegee Lift Group, Left Side

Ref.	Part No.	Serial Number	Description	Qty.
1	1038137	(000000-) Cylinder, Hyd, 1.5b 07.8l 02.80strk 2500	1
2	77097	(000000-) Fitting, Hyd, E90, Jm04/Om04	1
3	1028635	(000000-) Fitting, Hyd, Rst, Spcl	1
4	1022825	(000000-) Bracket, Mtg, Cyl	1
5	09740	(000000-) Screw, Hex, M8 X 1.25 X 20, Ss	1
6	01685	(000000-) Washer, Flat, 0.31, Ss	3
7	08713	(000000-) Nut, Hex, Lock, M8 X 1.25, NI, Ss	1
8	1022978	(000000-) Arm Wldt, Lift, Sqge, Lh	1
9	17461	(000000-) Pin, Clevis, 0.37D X 1.75L	1
10	08182	(000000-) Pin, Cotter, .125 X 1.00	1
11	64425	(000000-) Washer, Thrust, 0.61b 1.25d .06, Fgl	5
12	41187	(000000-) Washer, Flat, Belleville, .38	3
13	87816	(000000-) Spring, Extn, 0.75od X 0.09wir, 2.5l	2
14	386088	(000000-) Bolt, Eye, M08 X 1.25 X 070mm, 05.50 Eye	2
15	07786	(000000-) Nut, Hex, Std, M8 X 1.25, Ss	4
16	09740	(000000-) Screw, Hex, M8 X 1.25 X 20, Ss	2
17	1023307	(000000-) Arm, Sqge, Side, Lh	2
18	71607	(000000-) Bushing, Sleeve, 0.63b 0.72d 0.38l	3
19	81784	(000000-) Cable, Glv .13d 015.8l .50eye /.50eye	1
20	360801	(000000-) Sleeve, 0.31b 0.50d 0.3l, Ss	3
21	39308	(000000-) Screw, Soc, M8 X 1.25 X 25, 12.9	1
22	41445	(000000-) Screw, Soc, M8 X 1.25 X 35, 12.9	1
23	39349	(000000-) Washer, Flat, 0.31 Sae	2
24	08709	(000000-) Nut, Hex, Lock, M8 X 1.25, NI	2
25	09028	(000000-) Screw, Hex, M10 X 1.5 X 25, Ss	3
26	09740	(000000-) Screw, Hex, M8 X 1.25 X 20, Ss	6
27	1023314	(000000-) Door Wldt, Brush, Lh	1
28	59195	(000000-) Latch, Hook	1
29	09007	(000000-) Screw, Hex, M6 X 1.0 X 25, Ss	2
30	41185	(000000-) Washer, Flat, Belleville, .25	5
31	379870	(000000-) Screw, Hex, M12 X 1.75 X 55, Ss	1
32	07788	(000000-) Nut, Hex, Std, M12 X 1.75, Ss	1
33	41619	(000000-) Washer, Flat, 0.56b 1.38d .11, Ss	1
34	1024576	(000000-) Hinge, .50pin .19 4.0w 06.0l 3/0.44sl	1
35	36328	(000000-) Washer, Flat, Belleville, .50	1
36	1039348	(000000-) Sleeve, 0.49b 0.68d 1.2l [304ss]	1

Fig. 49 - Solution Tank Group

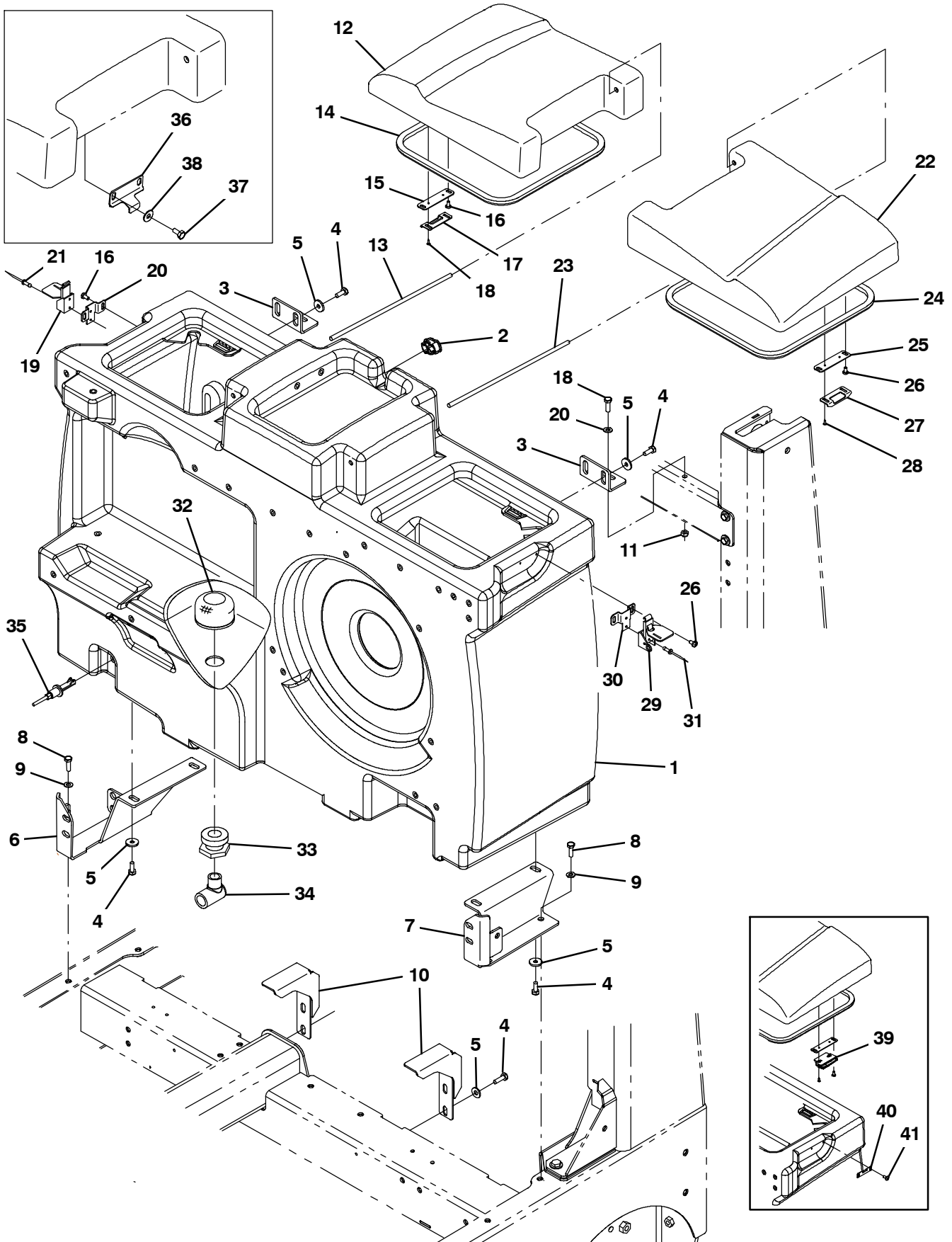


Fig. 49 - Solution Tank Group

Ref.	Part No.	Serial Number	Description	Qty.
1	1027381	(002413-) Tank, Soltn, W/ Label [M20]	1
1	9004117	(000000-002412) Tank Kit, Soltn, W/ Bracket, Replmt	1
2	390994	(000000-) Plug, Hole, Soltn Tank, Blk Pyu	1
3	1020209	(000000-) Angle, Sppt, Tank, Rear	2
4	09740	(000000-) Screw, Hex, M8 X 1.25 X 20, Ss	12
5	1017218	(000000-) Washer, Flat, 0.32b 1.00d .12, Ss	12
6	1040306	(000000-) Bracket Wldt, Tank, Soltn, Rh	1
7	1024591	(000000-) Bracket, Tank, Soltn, Lh	1
8	09010	(000000-) Screw, Hex, M8 X 1.25 X 25, Ss	4
9	39349	(000000-) Washer, Flat, 0.31 Sae	4
10	1024389	(000000-) Bracket, Soltn, Tank, Cntr	2
11	08713	(000000-) Nut, Hex, Lock, M8 X 1.25, NI, Ss	2
▽	9003069	(000000-) Cover Kit, Soltn Tank, Rh [M20 & T20]	1
▲	12 1022176	(000000-) Cover, Tank, Soltn, Rh, Trimmed	1
▲	13 1047098	(000000-) Bar, Rnd, Plstc, 0.31d 12.5l	1
▲	14 1038805	(000000-) Seal, Bulb, Str, .50Hi .50W 047.2L, Adh	1
▲	15 1039757	(002426-) Plate, Mtg, Latch	1
▲	16 382320	(000000-) Screw, Pan, Phl, 12-16 X 0.50, F/ Plstc	4
▲	17 1048474	(002798-) Catch, Latch, Tank Cover	1
▲	18 222267	(002798-) Screw, Pan, Phl, 06-20 X 0.50, Fmg/Ab	2
▲	19 367949	(002798-) Latch	1
▲	20 1048512	(002798-) Bracket, Mtg, Latch, Tank Cover	1
▲	21 08875	(002798-) Rivet, Blind, .125d X 0.54 X .25d, Alm	2
▽	9003071	(000000-) Cover Kit, Tank, Soltn, Rh, Replmt, Ce (Japan and CE Only)	1
▲	12 1031233	(000000-) Cover, Tank, Soltn, Rh, Trimmed, Ce (Japan and CE Only)	1
▲	13 1047098	(000000-) Bar, Rnd, Plstc, 0.31d 12.5l	1
▲	14 1038805	(000000-) Seal, Bulb, Str, .50Hi .50W 047.2L, Adh	1
▲	15 1039757	(002426-) Plate, Mtg, Latch	1
▲	16 382320	(000000-) Screw, Pan, Phl, 12-16 X 0.50, F/ Plstc	4
▲	17 1048474	(002798-) Catch, Latch, Tank Cover	1
▲	18 222267	(002798-) Screw, Pan, Phl, 06-20 X 0.50, Fmg/Ab	2
▲	19 367949	(002798-) Latch	1
▲	20 1048512	(002798-) Bracket, Mtg, Latch, Tank Cover	1
▲	21 08875	(002798-) Rivet, Blind, .125d X 0.54 X .25d, Alm	2

STANDARD PARTS

Fig. 49 - Solution Tank Group

Ref.	Part No.	Serial Number	Description	Qty.
▽	9003068	(000000-) Cover Kit, Tank, Soltn, Lh, Replmt	1
▲	22 1022182	(000000-) Cover, Tank, Soltn, Lh, Trimmed	1
▲	23 1047098	(000000-) Bar, Rnd, Plstc, 0.31d 12.5l	1
▲	24 1038805	(000000-) Seal, Bulb, Str, .50Hi .50W 047.2L, Adh	1
▲	25 1039757	(002426-) Plate, Mtg, Latch	1
▲	26 382320	(000000-) Screw, Pan, Phl, 12-16 X 0.50, F/ Plstc	4
▲	27 1048474	(002798-) Catch, Latch, Tank Cover	1
▲	28 222267	(002798-) Screw, Pan, Phl, 06-20 X 0.50, Fmg/Ab	2
▲	29 367949	(002798-) Latch	1
▲	30 1048512	(002798-) Bracket, Mtg, Latch, Tank Cover	1
▲	31 08875	(002798-) Rivet, Blind, .125d X 0.54 X .25d, Alm	2
▽	9003070	(000000-) Cover Kit, Tank, Soltn, Lh, Replmt, Ce (Japan and CE Only)	1
▲	22 1031235	(000000-) Cover, Tank, Soltn, Lh, Trimmed, Ce (Japan and CE Only)	1
▲	23 1047098	(000000-) Bar, Rnd, Plstc, 0.31d 12.5l	1
▲	24 1038805	(000000-) Seal, Bulb, Str, .50Hi .50W 047.2L, Adh	1
▲	25 1039757	(002426-) Plate, Mtg, Latch	1
▲	26 382320	(000000-) Screw, Pan, Phl, 12-16 X 0.50, F/ Plstc	4
▲	27 1048474	(002798-) Catch, Latch, Tank Cover	1
▲	28 222267	(002798-) Screw, Pan, Phl, 06-20 X 0.50, Fmg/Ab	2
▲	29 367949	(002798-) Latch	1
▲	30 1048512	(002798-) Bracket, Mtg, Latch, Tank Cover	1
▲	31 08875	(002798-) Rivet, Blind, .125d X 0.54 X .25d, Alm	2
	32 1027290	(000000-) Filter, Soltn, 20mesh, Pm12 3.1d 02.6l	1
	33 377349	(000000-) Fitting, Plstc, Pf12/Pf12, Bh	1
	34 69785	(000000-) Fitting, Plstc, E90, Pf12/Pm12	1
	35 385685	(000000-) Sensor, Level, Liq, 14vdc 01a .62-11	1
	36 1020428	(000000-002425)	Bracket, Latch, Cover	2
	37 09744	(000000-002425)	Screw, Hex, M6 X 1.00 X 12, Ss	4
	38 01684	(000000-002425)	Washer, Flat, 0.27b 0.69d .05, Ss	4
	39 1030617	(002426-002797)	Latch, Cover	2
	40 1029748	(002426-002797)	Bracket, Keeper, Latch	2
	41 382320	(002426-002797)	Screw, Pan, Phl, 12-16 X 0.50, F/ Plstc	4

Fig. 50 - Solution Tank Drain Group

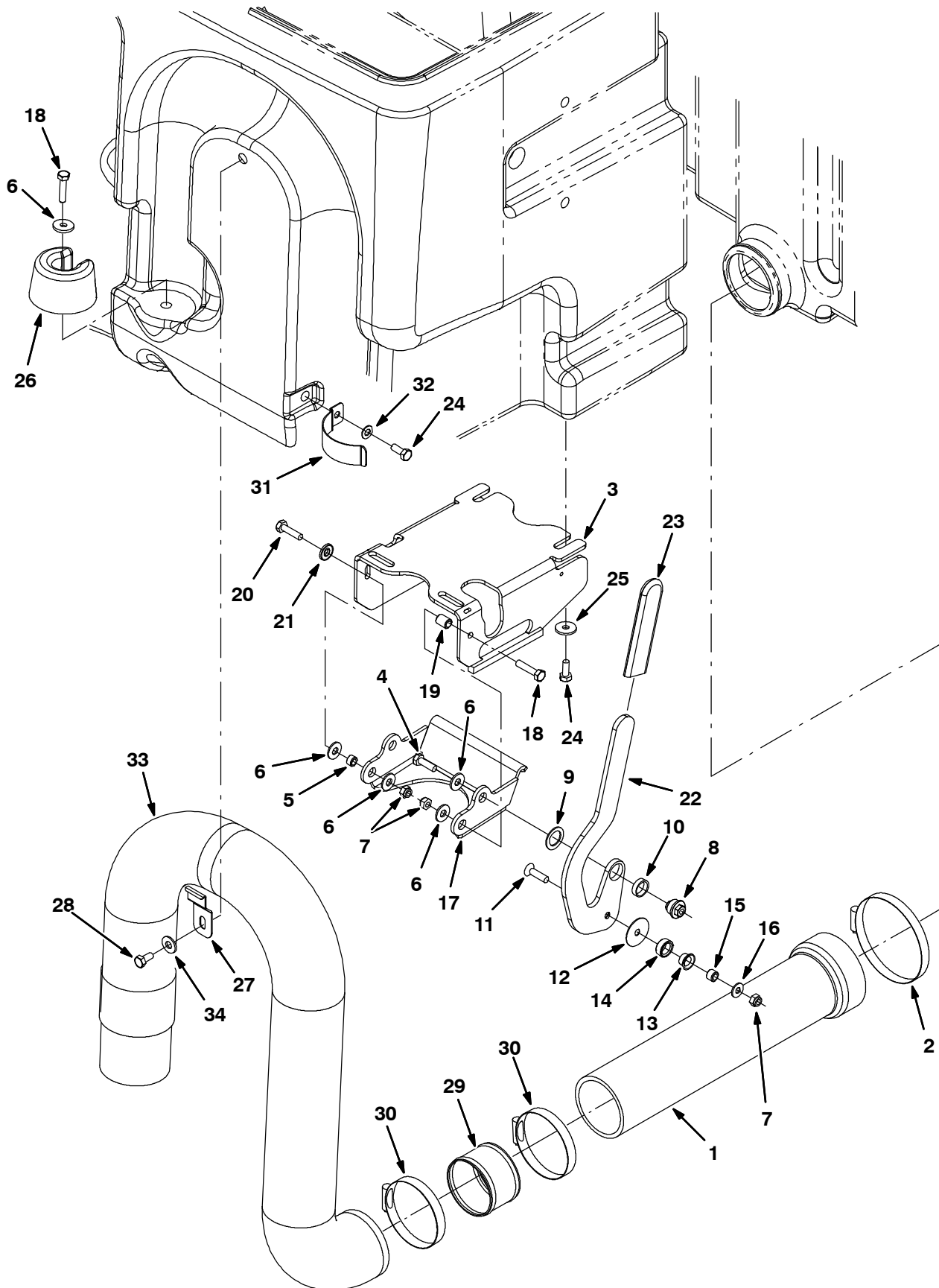


Fig. 50 - Solution Tank Drain Group

Ref.	Part No.	Serial Number	Description	Qty.
1	9003793	(000000-) Tube Kit, Tank, Soltn, Replmt	1
2	23498	(000000-) Clamp, Hose, Wormdrive, 3.56-4.50d, .50w	1
3	1042003	(000000-) Mount Wldt, Valve, Pinch, Rh	1
4	39277	(000000-) Screw, Hex, M8 X 1.25 X 25, 8.8	1
5	222516	(000000-) Sleeve, P/M, 0.31b 0.50d 0.3l [430ss]	1
6	32491	(000000-) Washer, Flat, 0.31, Std	5
7	08713	(000000-) Nut, Hex, Lock, M8 X 1.25, NI, Ss	3
8	1024599	(000000-) Bushing, Eccentric, Adj	1
9	1026051	(000000-) Washer, Flat, 0.79b 1.18d .06, Nyl	1
10	74090	(000000-) Bushing, Sleeve, 0.75b 0.88d 0.25l	1
11	79506	(000000-) Screw, Flt, M8 X 1.25 X 30, Ss	1
12	1028701	(000000-) Washer, Thrust, 0.34b 1.50d .06	1
13	15648	(000000-) Bushing, Flng, 0.50b 0.59d 0.38l	1
14	1028691	(000000-) Roller, Brg	1
15	1028690	(000000-) Tube, 0.50d 0.32b 00.4l, Ss	1
16	1017218	(000000-) Washer, Flat, 0.32b 1.00d .12, Ss	1
17	1024535	(000000-) Arm, Pinch	1
18	06955	(000000-) Screw, Hex, M8 X 1.25 X 35, 8.8	2
19	80395	(000000-) Sleeve, P/M, 0.31b 0.50d 0.7l [430ss]	1
20	76570	(000000-) Screw, Hex, M8 X 1.25 X 30, 8.8	1
21	41186	(000000-) Washer, Flat, Belleville, .31	1
22	1026727	(000000-) Handle, Valve, Pinch, Rh	1
23	1023502	(000000-) Grip, Handle	1
24	09740	(000000-) Screw, Hex, M8 X 1.25 X 20, Ss	5
25	1017218	(000000-) Washer, Flat, 0.32b 1.00d .12, Ss	4
26	1022137	(000000-) Plug, Hose, Pyu	1
27	1025480	(000000-) Bracket, Retaining, Hose	1
28	15675	(000000-) Screw, Hex, M8 X 1.25 X 16, Ss	1
29	1041953	(000000-) Tube, 2.90id 3.00od 02.4l, Ss	2
30	43555	(000000-) Clamp, Hose, Wormdrive, 2.50-3.50d, .50w	2
31	1024558	(000000-) Strap, Retaining, Hose	1
32	39349	(000000-) Washer, Flat, 0.31 Sae	1
33	1019424	(000000-) Hose, Drain, 3.00id X 48.0l	1
34	01685	(000000-) Washer, Flat, 0.31, Ss	2

Fig. 51 - Solution Control Group

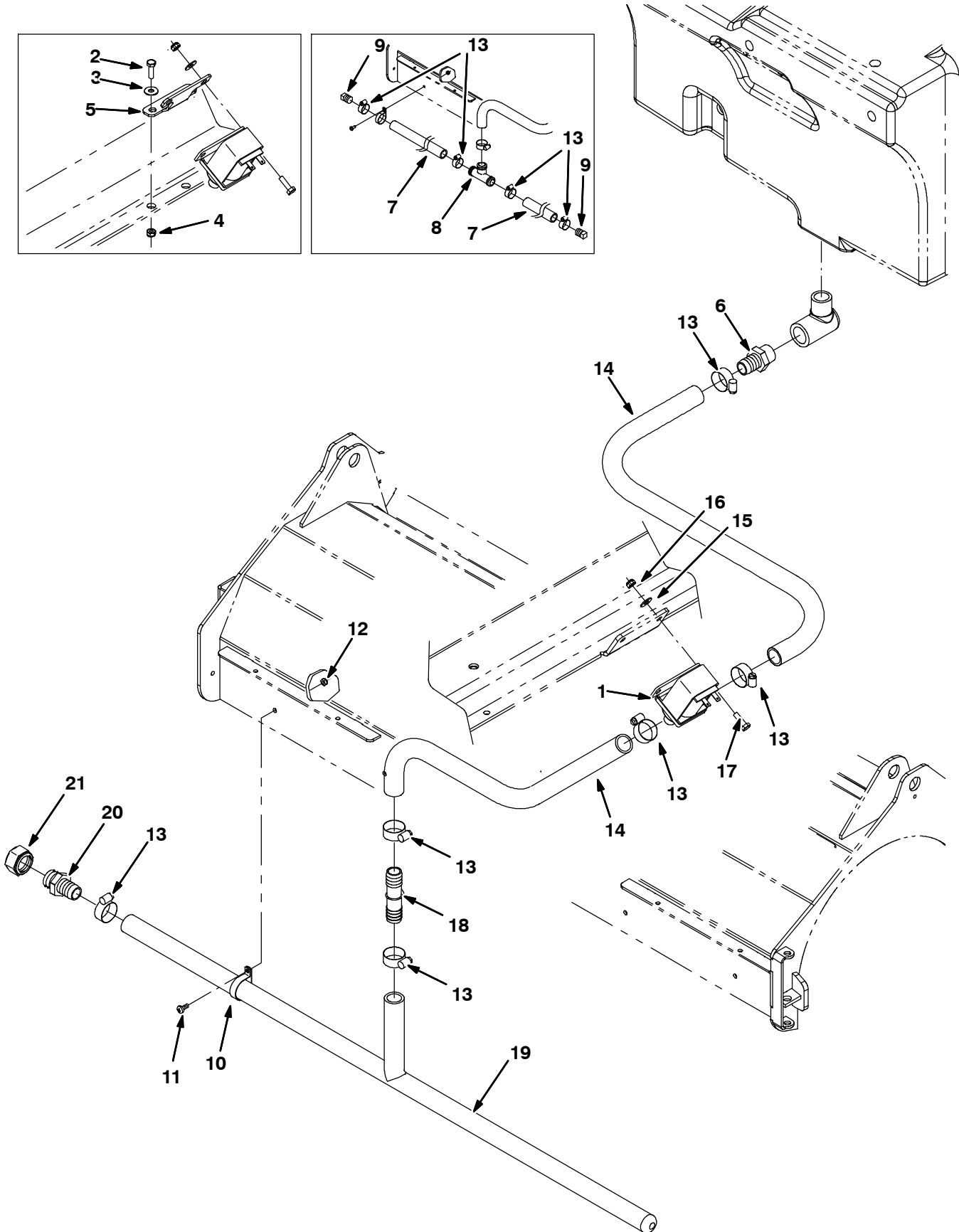


Fig. 51 - Solution Control Group

Ref.	Part No.	Serial Number	Description	Qty.
1	1022088	(000000-) Valve Assy, Water, Solenoid , 12vdc	1
2	08716	(000000-002241) Screw, Hex, M6 X 1.0 X 20, Ss	2
3	01684	(000000-002241) Washer, Flat, 0.25, Ss	2
4	08712	(000000-002241) Nut, Hex, Lock, M6 X 1.0, Ss, NI	2
5	1028074	(000000-002241) Bracket, Mtg, Valve	1
6	79273-2	(000000-) Fitting, Plstc, Str, Bm12/Pm12	1
7	1029185	(000000-002143) Tube, Distribution, Water	2
8	41315	(000000-002143) Fitting, Plstc, Tee, Bm12/Bm12/Bm12	1
9	17521	(000000-002143) Fitting, Pipe, Plug, Pm08, Sq Head	2
10	50544	(000000-) Clamp, Cable, Ss, 1.12d X 0.38w, 1h	6
11	09200	(000000-) Screw, Pan, M5 X 0.8 X 12, Ss	6
12	09739	(000000-) Nut, Hex, Lock, M5 X 0.8, NI, Ss	6
13	63810	(000000-) Clamp, Hose, Wormdrive, 0.56-1.06d, .56w	8
14	1015045	(000000-) Hose, Afmkt, Pvc, Brd 0.75id 08ft	1
15	01684	(000000-) Washer, Flat, 0.25, Ss	2
16	08712	(000000-) Nut, Hex, Lock, M6 X 1.0, Ss, NI	2
17	08716	(000000-) Screw, Hex, M6 X 1.0 X 20, Ss	2
18	1038074	(002144-) Fitting, Plstc, Str, Bm12/Bm12	1
19	1036997	(002144-) Manifold, Bar, Spray, 37.5inch	1
20	79273-2	(002144-) Fitting, Plstc, Str, Bm12/Pm12	1
21	1039064	(002144-) Fitting, Plstc, Cap, Pf12 Hex	1

Fig. 52 - Recovery Tank Group

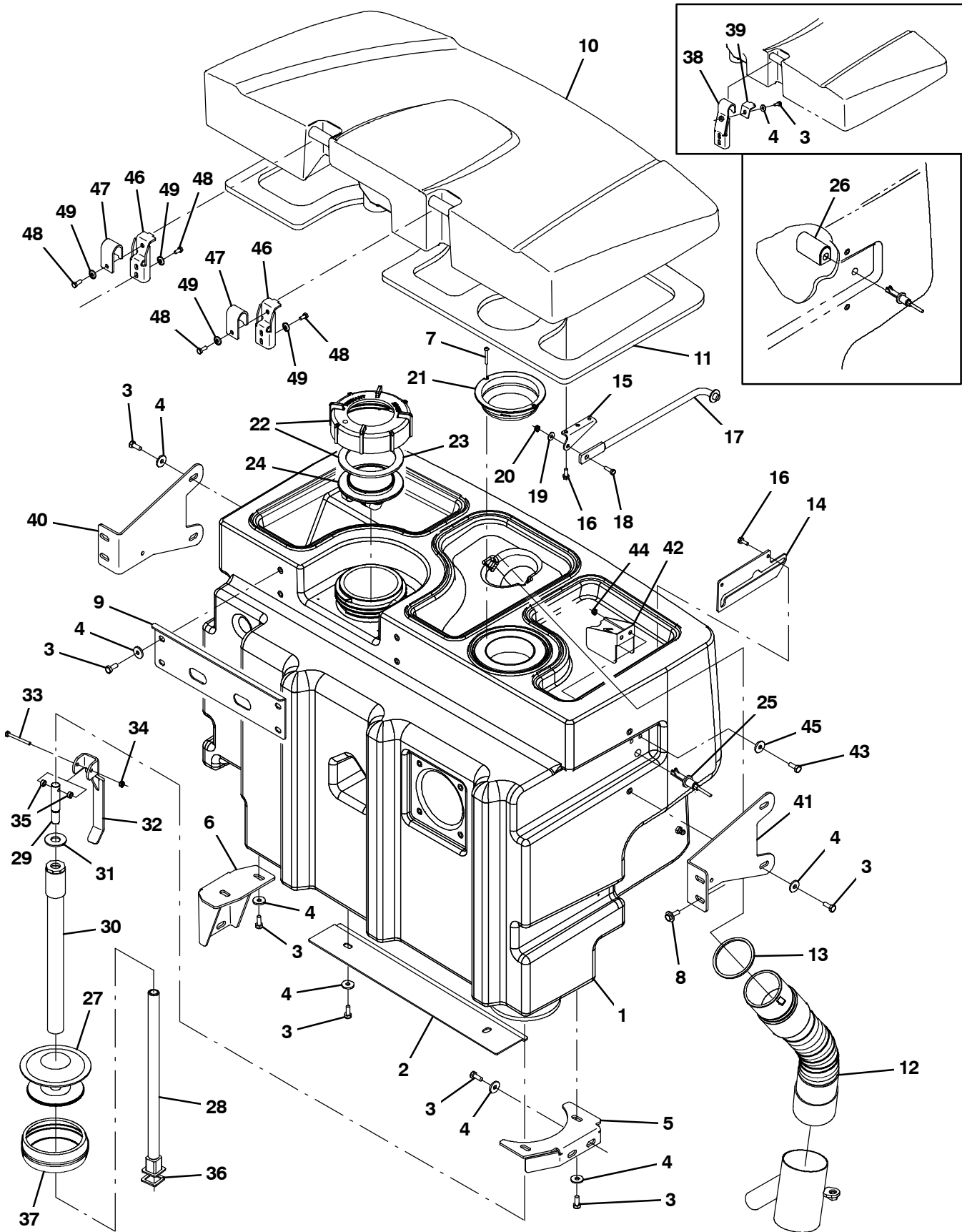


Fig. 52 - Recovery Tank Group

Ref.	Part No.	Serial Number	Description	Qty.
1	1021419	(000000-) Tank, Recvy, Trimmed	1
2	1024403	(000000-) Plate, Tank, Bottom	1
3	09740	(000000-) Screw, Hex, M8 X 1.25 X 20, Ss	17
4	1017218	(000000-) Washer, Flat, 0.32b 1.00d .12, Ss	15
5	1020335	(000000-) Bracket, Sppt, Tank, Lh	1
6	1020331	(000000-) Bracket, Sppt, Tank, Rh	1
7	382320	(000000-) Screw, Pan, #12-16 X 0.50, F/ Plstc	2
8	1037346	(000000-) Screw, Hex, M8 X 1.25 X 25, 9.8, Sems	4
9	1021090	(000000-) Plate, Sppt, Tank	1
10	1022167	(000000-) Cover, Tank, Recvy, Trimmed	1
11	1021879	(000000-) Gasket, Cover, Recvy Tank	1
12	1031610	(000000-) Hose Assy, Sqge	1
13	1021920	(000000-) Gasket, 3.23id 3.63od .16th, Ure	1
14	1025620	(000000-) Plate, Mtg, Prop Rod	1
15	1025619	(000000-) Bracket, Mtg, Prop Rod	1
16	1046798	(000000-) Screw, Hex, .25-14 X 0.75, Fmg/Ab, Ss	4
17	54615	(000000-) Arm Wldt, Safety, Sppt, Seat, .38d 10.11	1
18	08716	(000000-) Screw, Hex, M6 X 1.0 X 20, Ss	1
19	01684	(000000-) Washer, Flat, 0.25, Ss	1
20	08712	(000000-) Nut, Hex, Lock, M6 X 1.0, Ss, NI	1
21	1026014	(000000-) Screen, Vacuum	1
▽	22	24358	(000000-) Cap Assy, Tank, Drain	1
▲	23	1031699	(000000-) Gasket, 4.05id 5.29od .19 [Buna]	1
	24	86636	(000000-) Cover, Tank	1
	25	385685	(000000-) Sensor, Level, Liq, 14vdc 01a .62-11	1
	26	9003449	(000000-002024) Cover Kit, Switch, Float, Repair	1
▽		9003313	(000000-) Plug Kit, Drain, Recvy, Ci [M20 & T20]	1
▲	27	1022370	(000000-) Plug, Drain, Expandable, 4.75-6.00	1
▲	28	1028328	(000000-) Tube Wldt, Plug, Drain	1
▲	29	1028173	(000000-) Pin, Lift, Drain	1
▲	30	1028570	(000000-) Tube Assy, Plug, Drain	1
▲	31	1028522	(000000-) Washer, Flat, .78b 1.75d .18, Ss	1
▲	32	1028211	(000000-) Handle Wldt, Drain	1
▲	33	58979	(000000-) Screw, Hex, M6 X 1.0 X 55, Ss	1
▲	34	08712	(000000-) Nut, Hex, Lock, M6 X 1.0, Ss, NI	1
▲	35	360801	(000000-) Sleeve, 0.31b 0.50d 0.3l, Ss	2
▲	36	1035044	(000000-) Seal, Shaft, Drain Plug	1
▲	37	1039652	(000000-) Seal, Plug, Drain, Nitrile	1
	38	1020065	(000000-002418) Bracket, Mtg, Cover (Replaced by 9003893)	2
	39	1020263	(000000-002418) Bracket, Retaining, Cover (Replaced by 9003893)	2
	40	1038941	(000000-) Bracket, Sppt, Tank, Rh	1
	41	1038927	(000000-) Bracket, Sppt, Tank, Lh	1
	42	1037816	(002025-) Bracket, Protector, Float Switch	1
	43	09007	(002025-) Screw, Hex, M6 X 1.00 X 25, Ss	2
	44	08712	(002025-) Nut, Hex, Lock, M6 X 1.00, Ss, NI	2
	45	76426	(002025-) Washer, Sealing, 0.28b 0.75d Ss, Neo	2
	46	1039072	(002419-) Bracket, Sppt, Cover, Tank, Recvy	2
	47	1039049	(002419-) Bracket, Mtg, Cover, Recvy Tank	2
	48	16735	(002419-) Screw, Hex, M8 X 1.25 X 16, 8.8	6
	49	32491	(002419-) Washer, Flat, 0.31, Std	6

Fig. 53 - Recovery Tank Drain Group

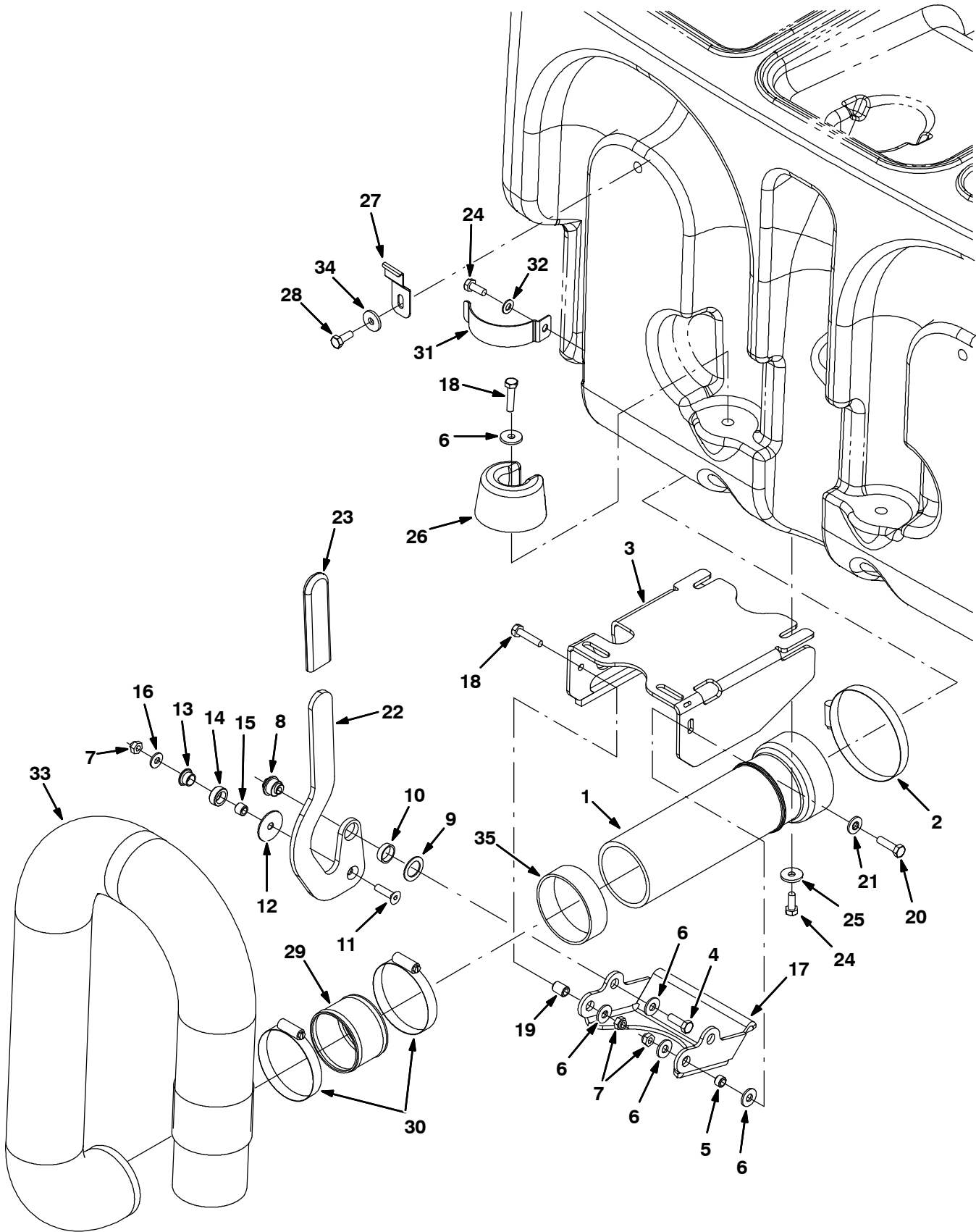


Fig. 53 - Recovery Tank Drain Group

Ref.	Part No.	Serial Number	Description	Qty.
1	9003794	(000000-) Tube Kit, Tank, Recvy, Replmt	1
2	23498	(000000-) Clamp, Hose, Wormdrive, 3.56-4.50d, .50w	1
3	1042010	(000000-) Mount Wldt, Valve, Pinch, Lh	1
4	39277	(000000-) Screw, Hex, M8 X 1.25 X 25, 8.8	1
5	222516	(000000-) Sleeve, P/M, 0.31b 0.50d 0.3l [430ss]	1
6	32491	(000000-) Washer, Flat, 0.31, Std	5
7	08713	(000000-) Nut, Hex, Lock, M8 X 1.25, NI, Ss	3
8	1024599	(000000-) Bushing, Eccentric, Adj	1
9	1026051	(000000-) Washer, Flat, 0.79b 1.18d .06, Nyl	1
10	74090	(000000-) Bushing, Sleeve, 0.75b 0.88d 0.25l	1
11	79506	(000000-) Screw, Flt, M8 X 1.25 X 30, Ss	1
12	1028701	(000000-) Washer, Thrust, 0.34b 1.50d .06	1
13	15648	(000000-) Bushing, Flng, 0.50b 0.59d 0.38l	1
14	1028691	(000000-) Roller, Brg	1
15	1028690	(000000-) Tube, 0.50d 0.32b 00.4l, Ss	1
16	1017218	(000000-) Washer, Flat, 0.32b 1.00d .12, Ss	1
17	1024535	(000000-) Arm, Pinch	1
18	06955	(000000-) Screw, Hex, M8 X 1.25 X 35, 8.8	2
19	80395	(000000-) Sleeve, P/M, 0.31b 0.50d 0.7l [430ss]	1
20	76570	(000000-) Screw, Hex, M8 X 1.25 X 30, 8.8	1
21	41186	(000000-) Washer, Flat, Belleville, .31	1
22	1027039	(000000-) Handle, Valve, Pinch, Lh	1
23	1023502	(000000-) Grip, Handle	1
24	09740	(000000-) Screw, Hex, M8 X 1.25 X 20, Ss	5
25	1017218	(000000-) Washer, Flat, 0.32b 1.00d .12, Ss	2
26	1022137	(000000-) Plug, Hose, Pyu	2
27	1025480	(000000-) Bracket, Retaining, Hose	1
28	15675	(000000-) Screw, Hex, M8 X 1.25 X 16, Ss	1
29	1041953	(000000-) Tube, 2.90id 3.00od 02.4l, Ss	1
30	43555	(000000-) Clamp, Hose, Wormdrive, 2.50-3.50d, .50w	2
31	1024558	(000000-) Strap, Retaining, Hose	1
32	39349	(000000-) Washer, Flat, 0.31 Sae	1
33	1019424	(000000-) Hose, Drain, 3.00id X 48.0l	1
34	01685	(000000-) Washer, Flat, 0.31, Ss	2
35	1031309	(000000-) Tube, Acrylic, Hose, Pinch	1

Fig. 54 - Vacuum Fan Group, Scrubbing

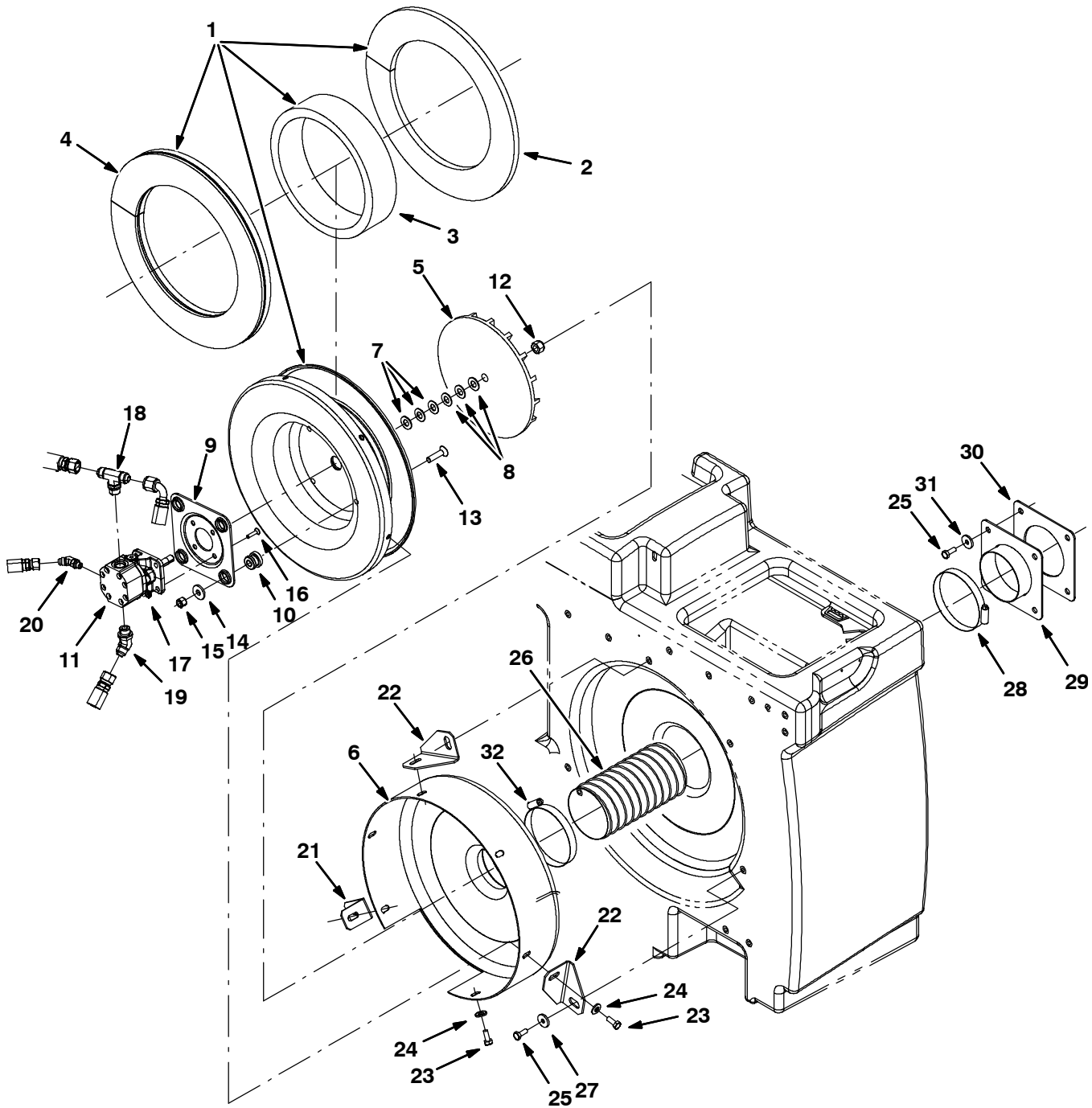


Fig. 54 - Vacuum Fan Group, Scrubbing

Ref.	Part No.	Serial Number	Description	Qty.
▽	9003455	(000000-) Fan Kit, Scrub, Replmt [M20/T20]	1
▲▽	1 9002684	(000000-) Housing Assy, Vacfan, Scrbr	1
▲▲	2 1025888	(000000-) Insulation, Flame-Retardant, 0.50	1
▲▲	3 1025887	(000000-) Insulation, Flame-Retardant, 0.75-0.88	1
▲▲	4 1025872	(000000-) Insulation, Flame-Retardant, 0.75-0.88	1
▲	5 03922	(000000-) Impeller, 9.5d, 18 Blade Mach	1
▲	6 57189	(000000-) Housing Wldt, Vacfan, Front [528]	1
▲	7 75456-3	(000000-) Shim, Washer, 0.88d 0.51b .020	3
▲	8 75456-4	(000000-) Shim, Washer, 0.88d 0.51b .060	3
▲	9 54275A	(000000-) Bracket, Mtg, Motor	1
▲	10 54274	(000000-) Isolator, Vib, Bshg, 1.1d 0.6l .4b 0.78h	4
▲▽	11 9003461	(000000-) Motor Kit, Replmt [M20&T20]	1
▲▲	00954	(000000-) Key, Sq, 0.12 X 0.12, 1.00l (Included With Motor)	1
▲▲	74233	(000000-) Kit, Seal, Motor, Hyd, Gear[Barns]	1
▲▲	12 41130	(000000-) Nut, Low Crown, .50-20	1
▲▲	13 54861	(000000-) Screw, Flt, .38-16 X 1.50, Al	4
▲▲	14 1014563	(000000-) Washer, Flat, 0.40b 1.12d .12, Ss	4
▲▲	15 36643	(000000-) Nut, Hex, Lock, .38-16, NI, Thin	4
▲▲	16 39534	(000000-) Screw, Flt, .25-20 X 1.00, Al	4
▲▲	17 32981	(000000-) Nut, Hex, Lock, .25-20, NI	4
▲▲	18 49933	(000000-) Fitting, Hyd, Tee, Jm08/Jm08/Om08, Br	1
▲▲	19 42226	(000000-) Fitting, Hyd, E45, Jm08/Om08	1
▲▲	20 392609	(000000-) Fitting, Hyd, E45, Jm06/Om04	1
▲	21 1020320	(000000-) Angle, Sppt, Fan	1
▲	22 1024891	(000000-) Bracket, Mtg, Fan	2
▲	23 16931	(000000-) Screw, Hex, M8 X 1.25 X 20, 8.8	6
▲	24 41186	(000000-) Washer, Flat, Belleville, .31	6
	25 09740	(000000-) Screw, Hex, M8 X 1.25 X 20, Ss	7
	26 1022377	(000000-) Hose, Air-Intk, Flex 4.00id 18.0l	1
	27 1014563	(000000-) Washer, Flat, 0.40b 1.12d .12, Ss	3
	28 79380	(000000-) Clamp, Hose, Wormdrive, 3.75-4.62d, .62w	1
	29 1023754	(000000-) Plate Wldt, Hose, Vacuum	1
	30 1024853	(000000-) Gasket, Plt, Hose, Vacuum	1
	31 1017218	(000000-) Washer, Flat, 0.32b 1.00d .12, Ss	4
	32 23498	(000000-) Clamp, Hose, Wormdrive, 3.56-4.50D, .50W	1

Fig. 55 - Vacuum Fan Group, Sweeping

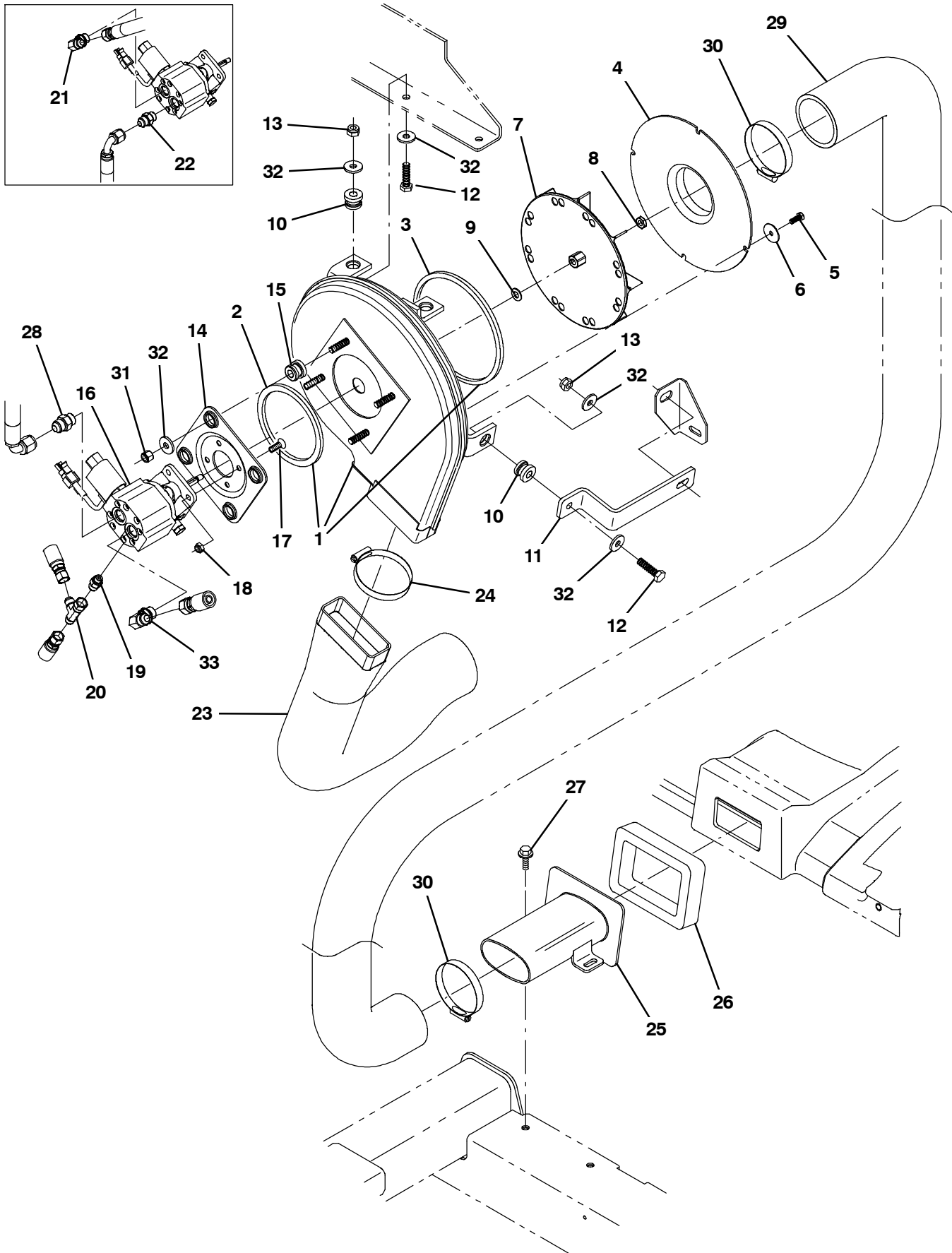
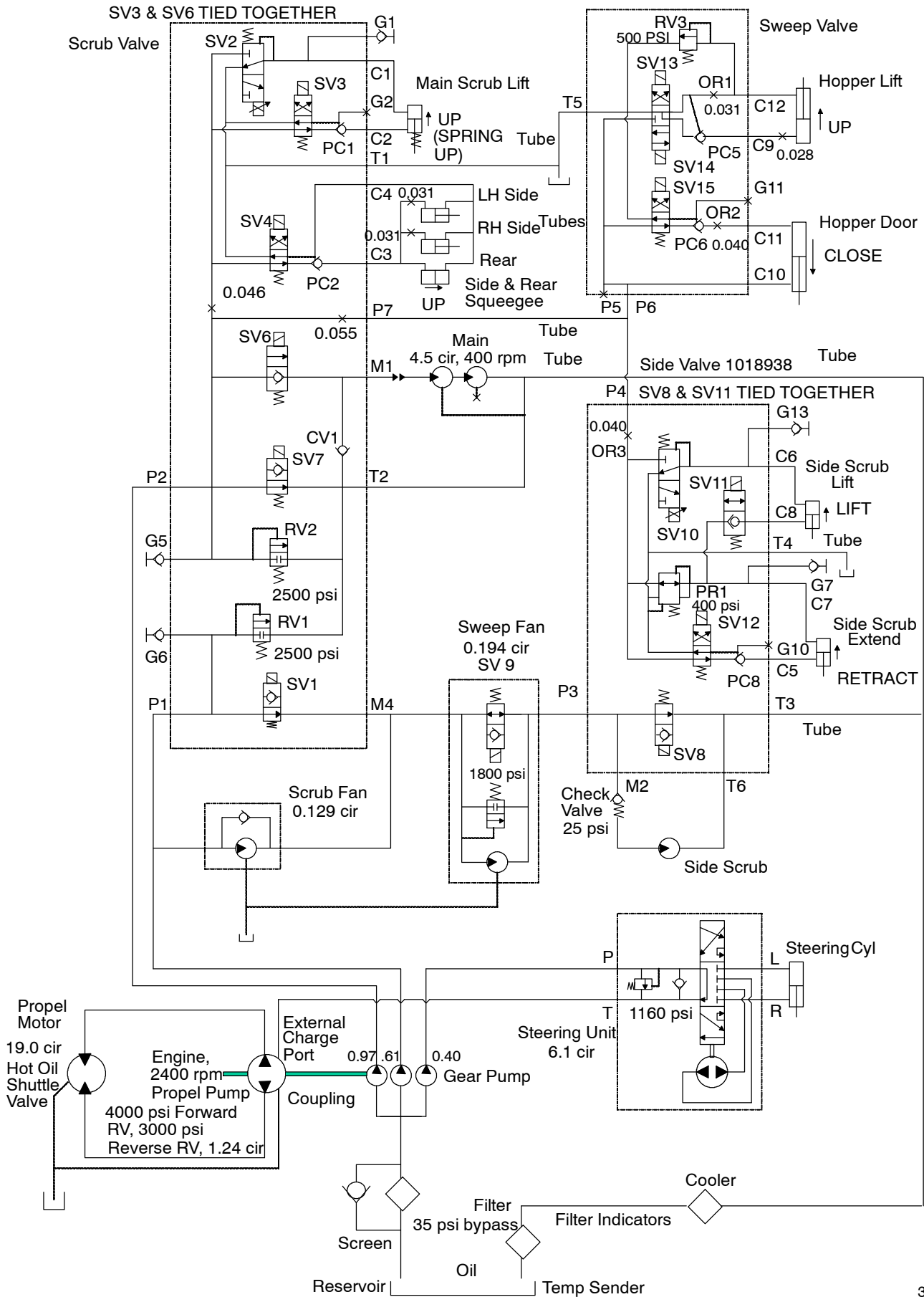


Fig. 55 - Vacuum Fan Group, Sweeping

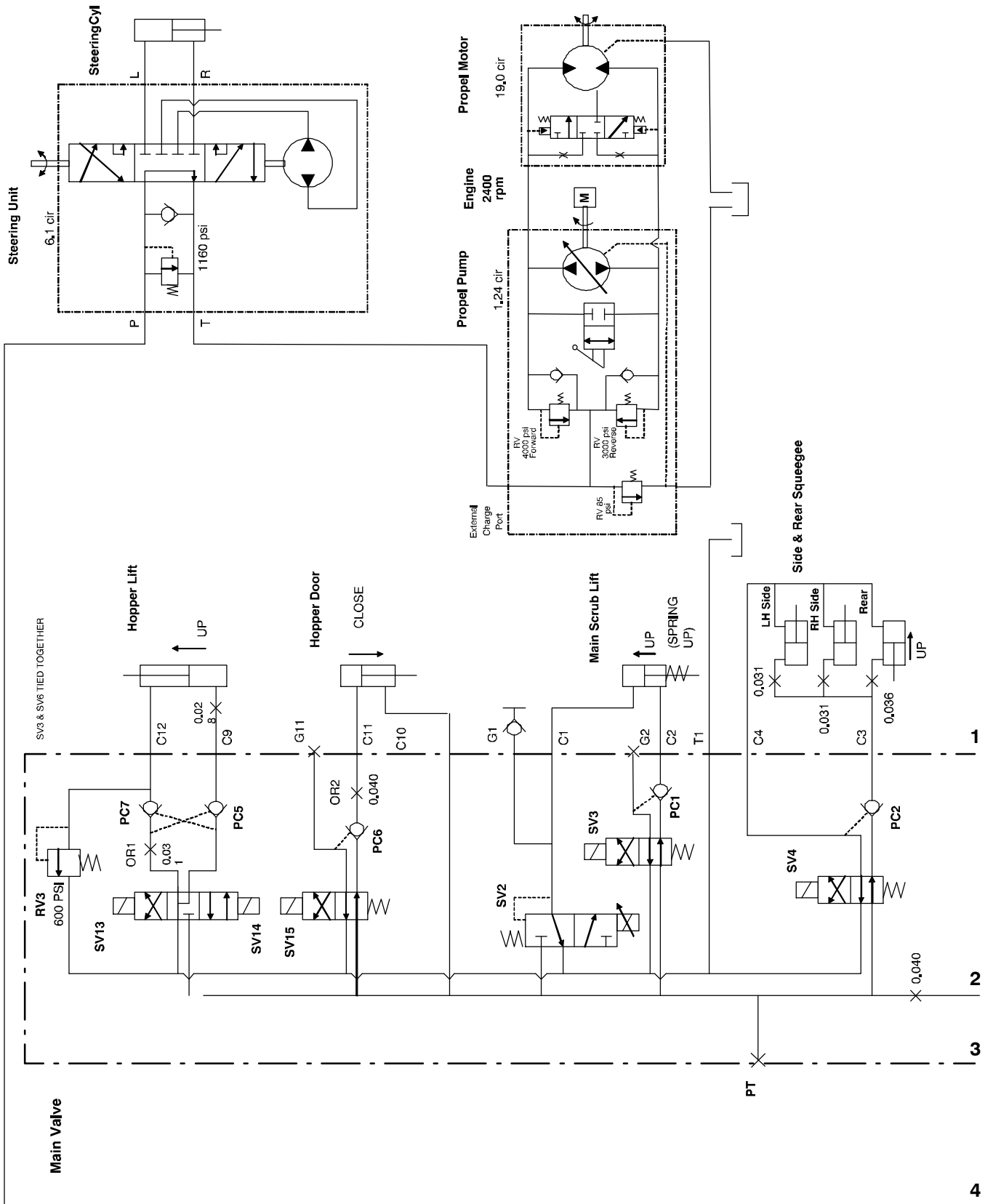
Ref.	Part No.	Serial Number	Description	Qty.
▽	1	9002683	(000000-) Housing Assy, Vacfan, Swpr	1
▲	2	59967	(000000-) Seal, Ure, 0.38 0.75w 13.2l Adh	1
▲	3	59735	(000000-) Seal, Ure, 0.38 0.75w 33.0l Adh	1
	4	1018216	(000000-) Fan Wldt, Vac, Inlet	1
	5	34323	(000000-) Screw, Hex, .25-20 X 0.75, NI	4
	6	41178	(000000-) Washer, Flat, 0.25 Fender	4
	7	74454	(000000-) Impeller, 9.00d X 1.40w X 0.376b	1
	8	31241	(000000-) Nut, Hex, Lock, .31-24, NI, Thin	1
	9	32485	(000000-) Washer, Flat, 0.38 Sae	1
	10	59649	(000000-) Isolator, Vib, Bshg, 1.1d 0.6l .4b 0.78h	3
	11	1018222	(000000-) Bar, Isolator, Vacfan	1
	12	39285	(000000-) Screw, Hex, M10 X 1.5 X 40, 8.8	3
	13	41430	(000000-) Nut, Hex, Lock, M10 X 1.5, NI	3
	14	54275A	(000000-) Bracket, Mtg, Motor	1
	15	54274	(000000-) Isolator, Vib, Bshg, 1.1d 0.6l .4b 0.78h	4
	16	53485	(000000-) Motor, Hyd, Gear, [Ex] .194 R 3000 (See Breakdowns)	1
	17	07810	(000000-) Screw, Flt, M8 X 1.25 X 25, 10.9	4
	18	08709	(000000-) Nut, Hex, Lock, M8 X 1.25, NI	4
	19	50960	(000000-) Fitting, Hyd, Str, Jm06/Om04	1
	20	42215	(000000-) Fitting, Hyd, Tee, Jf06/Jm06/Jm06, Run	1
	21	44868	(000000-001337) Fitting, Hyd, E90, Jm08/Om08	1
	22	44869	(000000-001337) Fitting, Hyd, Str, Jm08/Om08	1
	23	1025756	(000000-) Muffler, Vacfan, 4.0id	1
	24	23498	(000000-) Clamp, Hose, Wormdrive, 3.56-4.50d, .50w	1
	25	1025841	(000000-) Tube, Transition, Casting	1
	26	1018209	(000000-) Gasket, Hppr, Transition	1
	27	1037346	(000000-) Screw, Hex, M8 X 1.25 X 25, 9.8, Sems	2
	28	44869	(001338-) Fitting, Hyd, Str, Jm08/Om08	1
	29	1018252	(000000-) Hose, Flex, Vacuum, 3.5d 32.0l	1
	30	23498	(000000-) Clamp, Hose, Wormdrive, 3.56-4.50d, .50w	2
	31	36643	(000000-) Nut, Hex, Lock, .38-16, NI, Thin	4
	32	1014563	(000000-) Washer, Flat, 0.40b 1.12d .12, Ss	10
	33	44868	(001338-) Fitting, Hyd, E90, Jm08/Om08	1

Fig. 56 - Hydraulic Schematic (000000-002699)



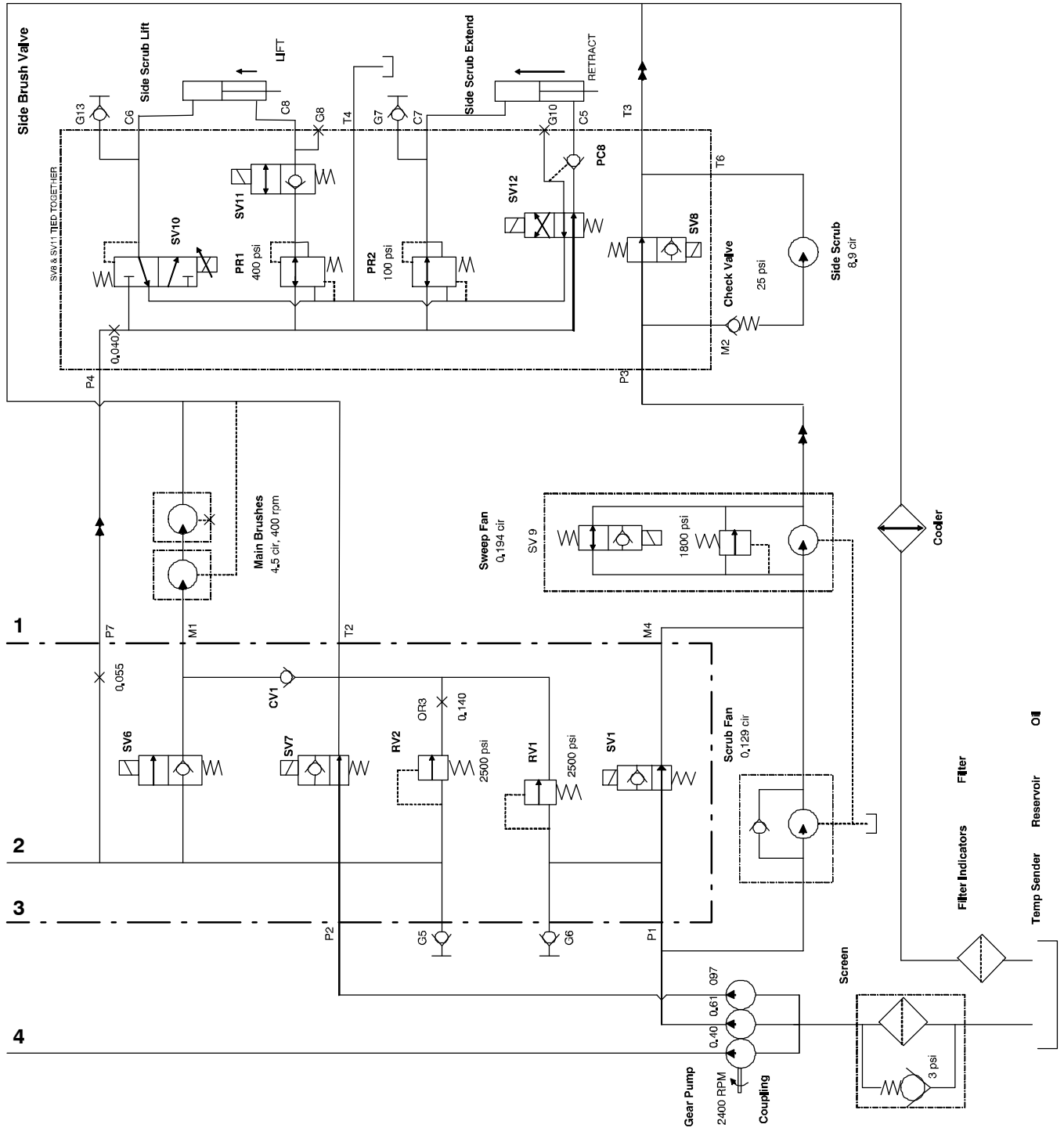
354453

Fig. 57 - Hydraulic Schematic (002700-)



1024172 - 354453

Fig. 57 - Hydraulic Schematic (002700-)



1024172 - 354453

Fig. 58 - Hydraulic Hose Group, Steering and Propel

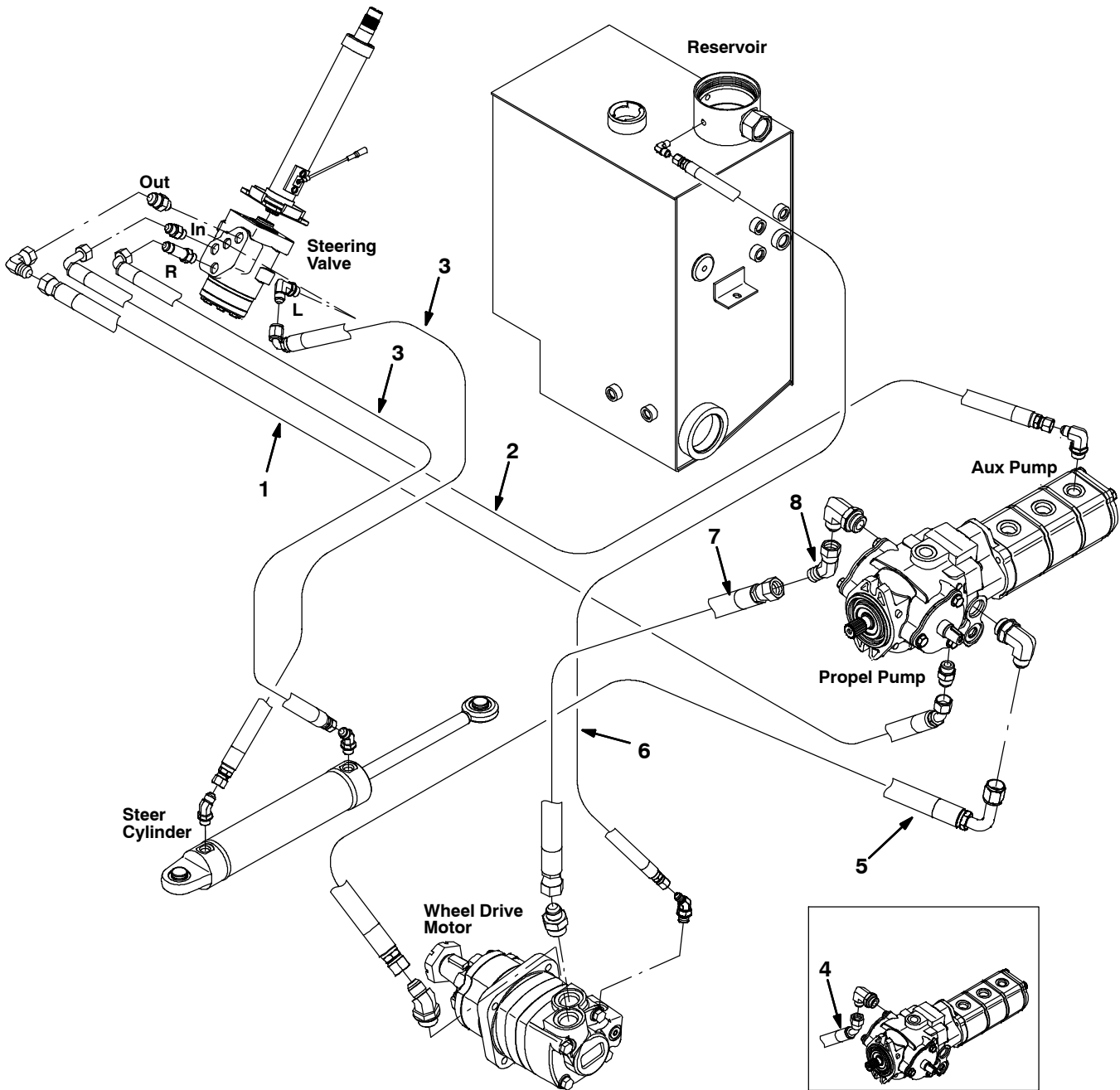


Fig. 58 - Hydraulic Hose Group, Steering and Propel

Ref.	Part No.	Serial Number	Description	Qty.
1	1023609	(000000-) Hose, Hyd, Tc08, Jf08e45/Jf08str, 96.0	1
2	1023608	(000000-) Hose, Hyd, Tc06, Jf06e90/Jf06str, 104.0	1
3	396221	(000000-) Hose, Hyd, Tc06, Jf06e90/Jf06str, 040.0	2
4	1023489	(000000-002183) Hose, Hyd, Spcl, Jf10e45/Jf10str, 58.0 (Replaced by 1039148)	1
5	1023488	(000000-) Hose, Hyd, Spcl, Jf10e90/Jf10str, 63.0	1
6	1030404	(000000-) Hose, Hyd,Med04, Jf04str/Jf04str, 066.0	1
7	1038569	(002184-) Hose, Hyd, Spcl, Jf10str/Jf10str, 56.5	1
8	54017	(002184-) Fitting, Hyd, E45, Jf10/Jm10	1

Fig. 59 - Hydraulic Hose Group, Pump and Vacuum Fans

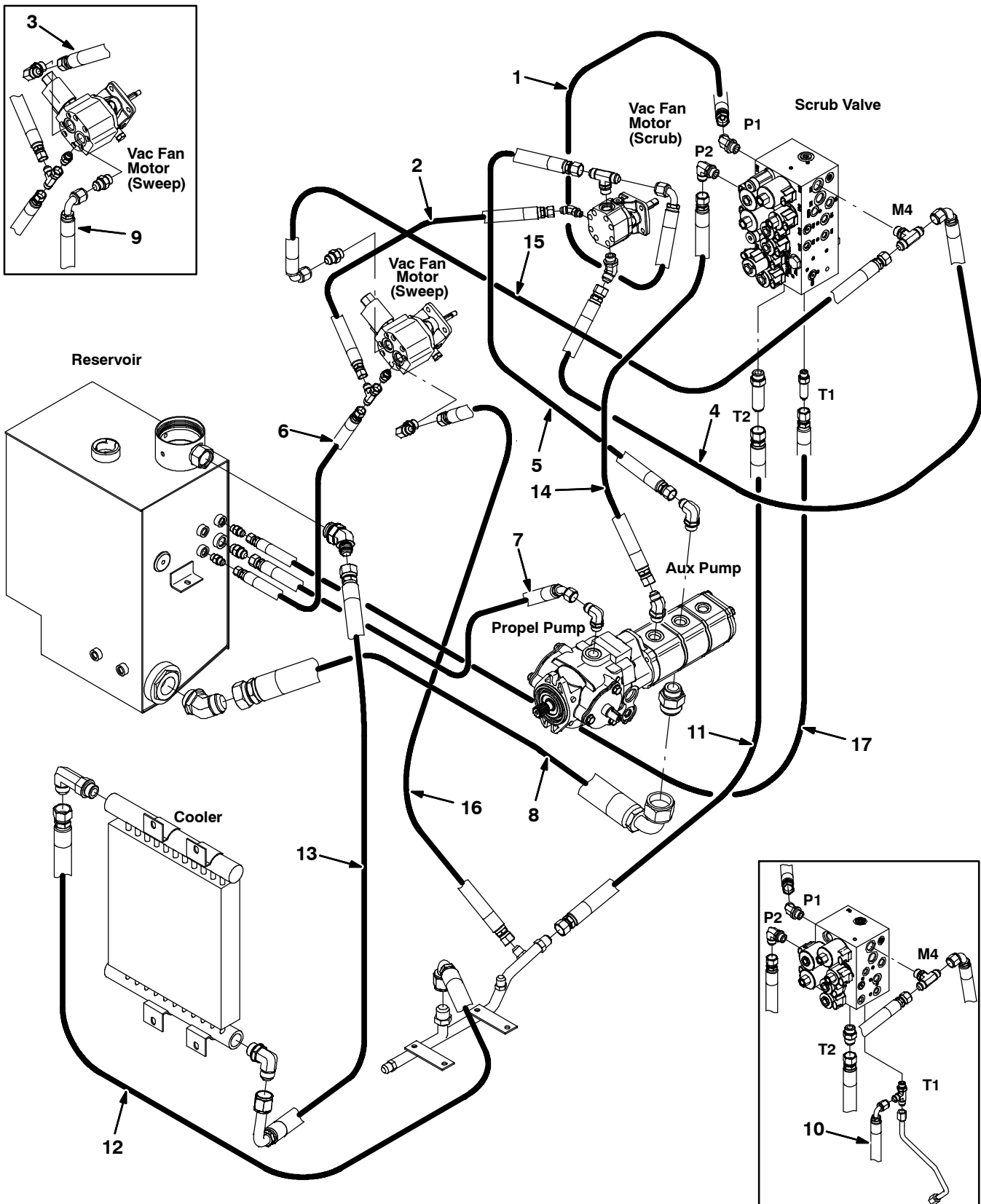


Fig. 59 - Hydraulic Hose Group, Pump and Vacuum Fans

Ref.	Part No.	Serial Number	Description	Qty.
1	71741	(000000-) Hose, Hyd, Tc08, Jf08e90/Jf08str, 046.0	1
2	361044	(000000-) Hose, Hyd, Med06, Jf06str/Jf06str, 018.0	1
3	381862	(000000-001337) Hose, Hyd, Tc08, Jf08str/Jf08str, 024.0	1
4	396255	(000000-) Hose, Hyd, Tc08, Jf08str/Jf08e90, 031.0	1
5	1026645	(000000-) Hose, Hyd, Tc08, Jf08e45/Jf08str, 26.0	1
6	16431	(000000-) Hose, Hyd, Med06, Jf06str/Jf06str, 022.0	1
7	1023607	(000000-) Hose, Hyd, Med08, Jf08str/Jf08e45, 21.0	1
8	1023611	(000000-) Hose, Hyd, Suc20, Jf20str/Jf20e90, 29.0	1
9	396266	(000000-001337) Hose, Hyd, Med08, Jf08e90/Jf08str, 031.0	1
10	71735	(000000-002699) Hose, Hyd, Med06, Jf06e90/Jf06str, 042.0	1
11	1025547	(000000-002699) Hose, Hyd, Med10, Jf10str/Jf10str, 41.0	1
11	1040655	(002700-) Hose, Hyd, Med10, Jf10Str/Jf10Str, 036.0	1
12	396438	(000000-) Hose, Hyd, Tc12, Jf12e90/Jf12str, 044.0	1
13	1023487	(000000-) Hose, Hyd, Med12, Jf12e90/Jf12str, 50.0	1
14	1023606	(000000-) Hose, Hyd, Tc08, Jf08str/Jf08str, 21.0	1
15	381858	(001338-026999) Hose, Hyd, Tc08, Jf08e90/Jf08str, 024.0	1
15	1040216	(002700-) Hose, Hyd, Tc08, Jf08E90/Jf08Str, 029.0	1
16	1036945	(001338-) Hose, Hyd, Tc08, Jf08str/Jf08str, 031.0	1
17	71556	(002700-) Hose, Hyd, Med06, Jf06Str/Jf06Str, 042.0	1

Fig. 60 - Hydraulic Hose Group, Brush and Hopper

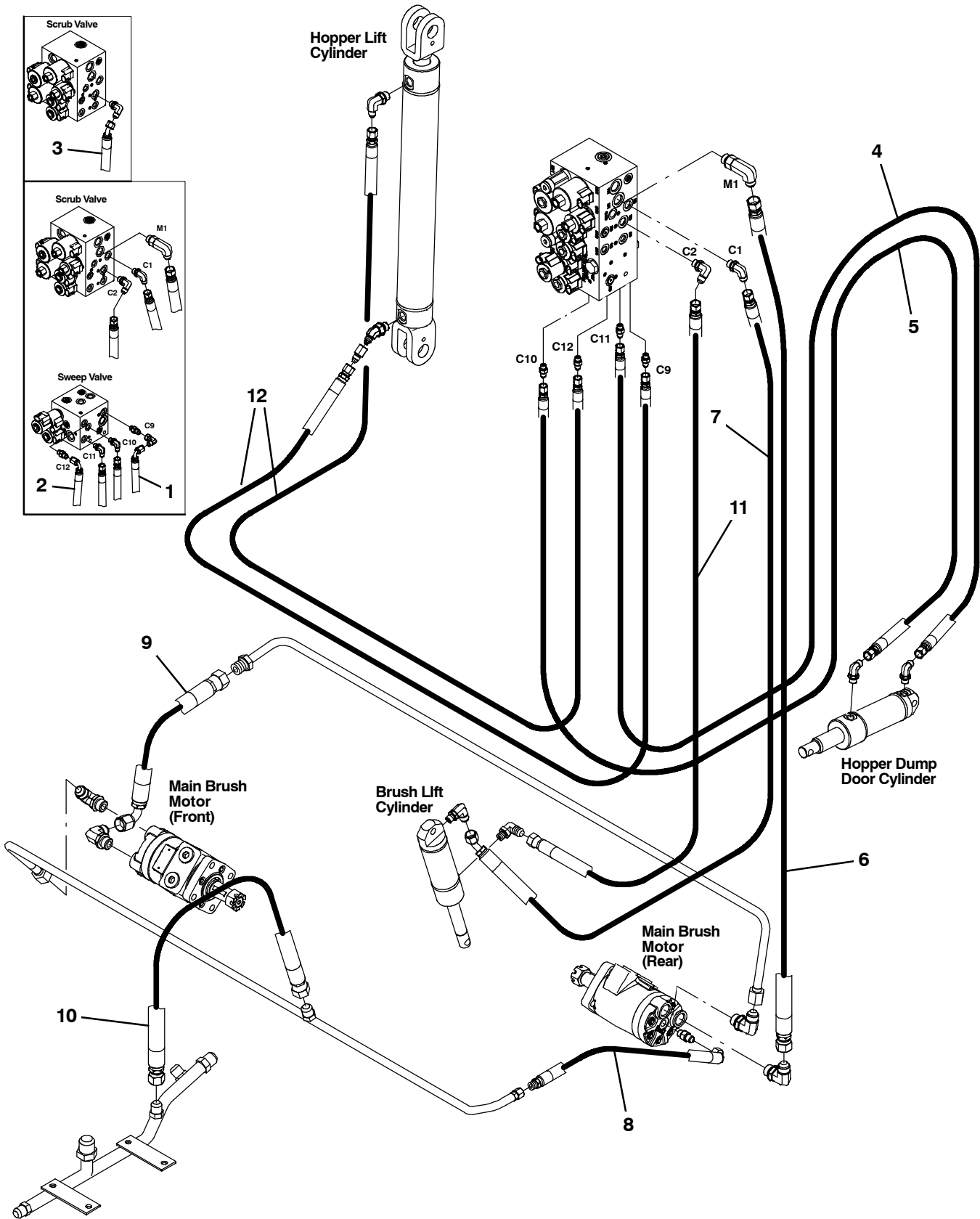


Fig. 60 - Hydraulic Hose Group, Brush and Hopper

Ref.	Part No.	Serial Number	Description	Qty.
1	1027320	(000000-002699)	Hose, Hyd, Tc04, Jf04str /Jf04e90, 88.0	1
2	1027321	(000000-002699)	Hose, Hyd, Tc04, Jf04str /Jf04e90, 70.0	1
3	1025548	(000000-001337)	Hose, Hyd, Tc06, Jf06str /Jf06e45, 54.0	1
4	1026733	(000000-002699)	Hose, Hyd, Spcl, Jf04str/Jf04str, 115.0	1
4	1042775	(002700-)	Hose, Hyd, Spcl, Jf04str/Jf04str, 133.0	1
5	1024688	(000000-002699)	Hose, Hyd, Spcl, Jf04str/Jf04str, 121.0	1
5	1042776	(002700-)	Hose, Hyd, Spcl, Jf04str/Jf04str, 127.0	1
6	1024764	(000000-)	Hose, Hyd, Tc08, Jf08str/Jf08str, 48.0	1
7	1023769	(000000-)	Hose, Hyd, Tc 06, Jf06str /Jf06e45, 56.0	1
8	57946	(000000-)	Hose, Hyd, Med04, Jf04e90/Jf04str, 016.0	1
9	1025544	(000000-)	Hose, Hyd, Tc08, Jf08e90/Jf08str, 13.0	1
10	51754	(000000-)	Hose, Hyd, Med08, Jf08str/Jf08str, 022.0	1
11	1036939	(001338-)	Hose, Hyd, Tc06, Jf06str/Jf06str, 054.0	1
12	1040628	(002700-)	Hose, Hyd, Tc04, Jf04str/Jf04str, 096.0	2

Fig. 61 - Hydraulic Hose Group, Squeegee Lift

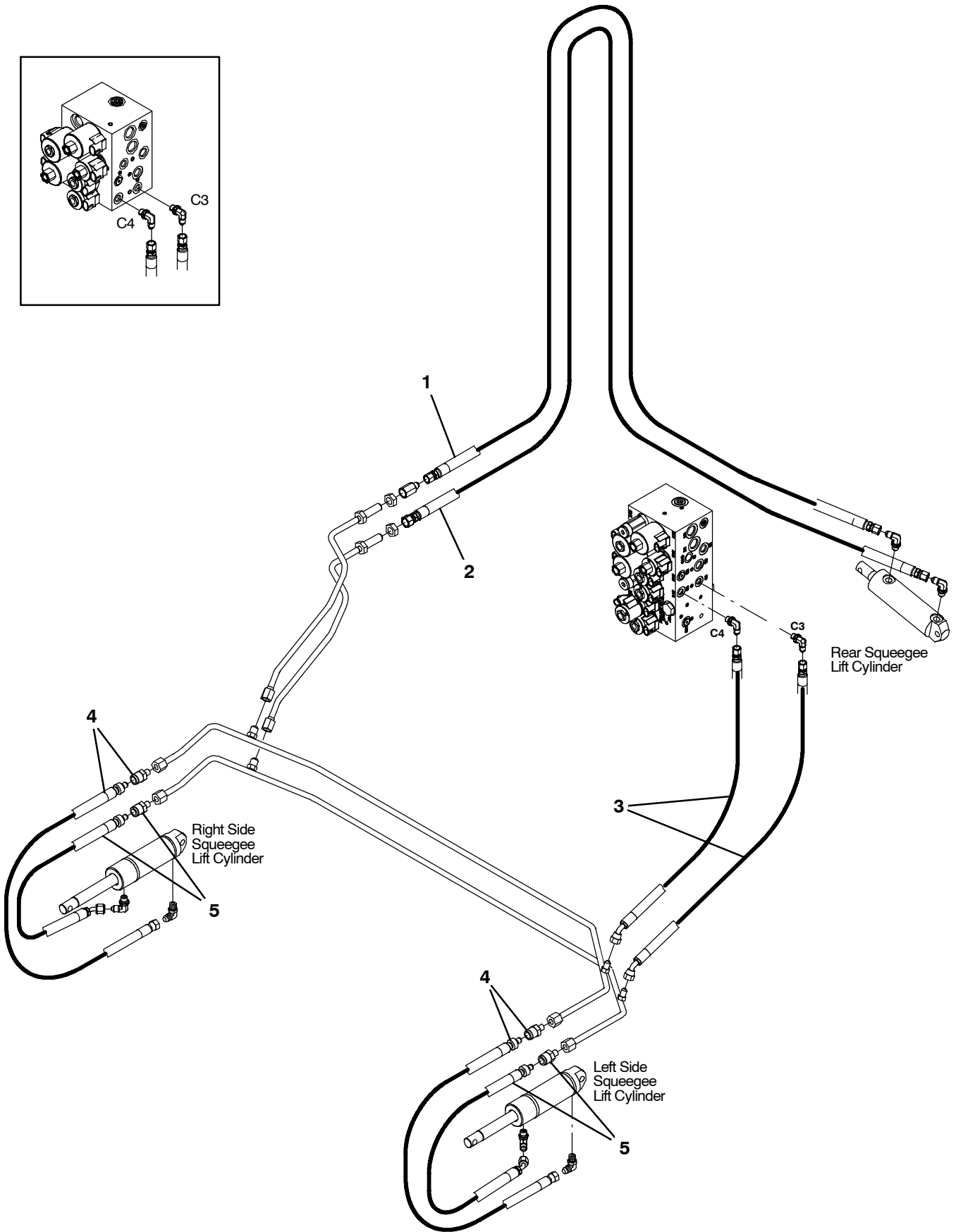


Fig. 61 - Hydraulic Hose Group, Squeegee Lift

Ref.	Part No.	Serial Number	Description	Qty.
1	1024688	(000000-) Hose, Hyd, Spcl, Jf04str/Jf04str, 121.0	1
2	1025551	(000000-) Hose, Hyd, Spcl, Jf04str/Jf06str, 125.0	1
3	1030709	(000000-) Hose, Hyd, Tc 04, Jf04str /Jf04e45 , 35.0	2
4	1037042	(000000-002555) Hose, Hyd, Tc04, Jf04e45/Qm06, 028.0	2
4	1045759	(002556-) Hose, Hyd, Tco4, Jf04Str/Qm06, 028.0	2
5	1037053	(000000-) Hose, Hyd, Tc04, Jf04e45/Qm06, 026.0	2

Fig. 62 - Hydraulic Pumps Group

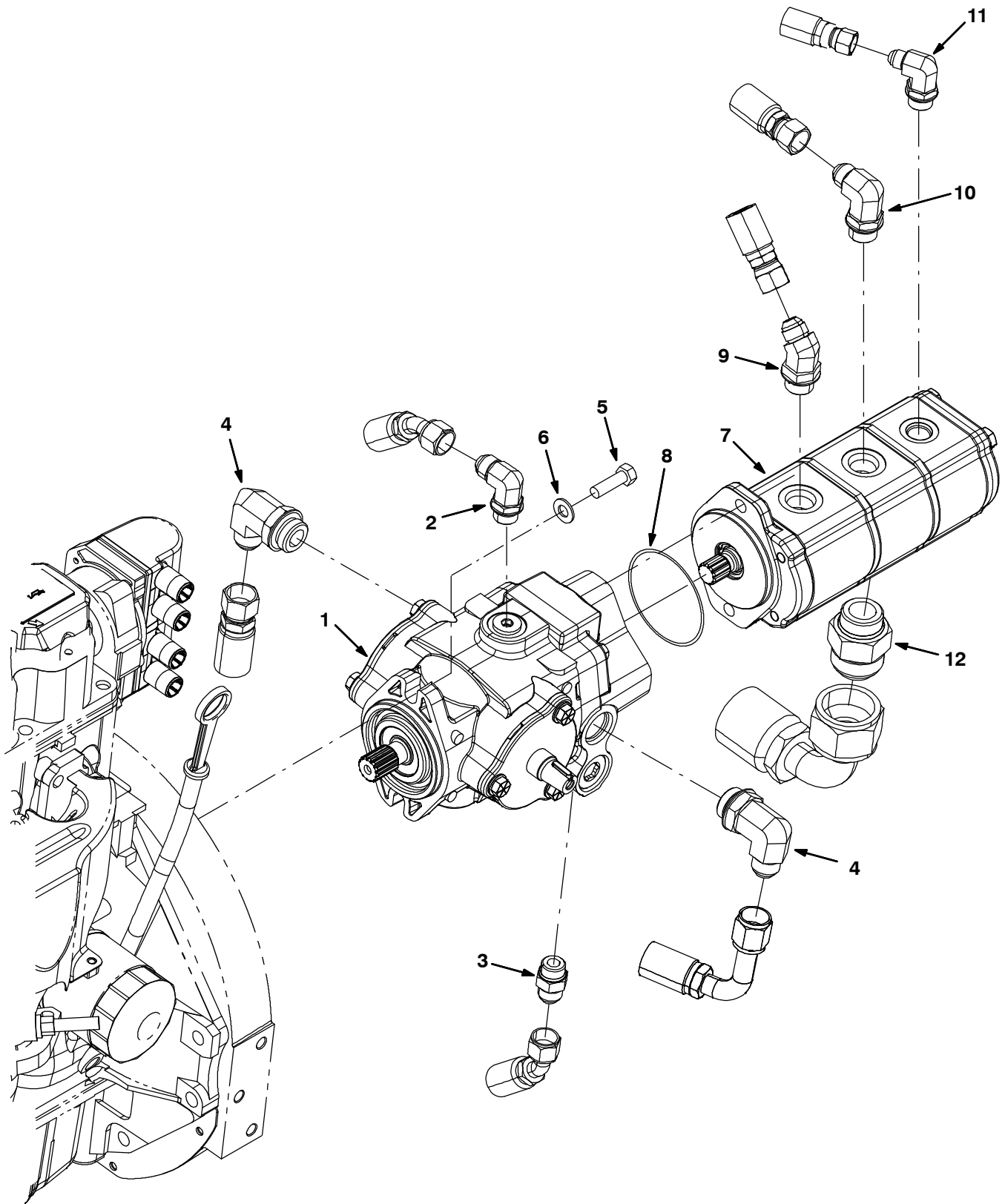


Fig. 62 - Hydraulic Pumps Group

Ref.	Part No.	Serial Number	Description	Qty.
1	1024251	(000000-) Pump, Hyd, Piston, Var, 1.24 4000, Cw (See Breakdown)	1
2	44868	(000000-) Fitting, Hyd, E90, Jm08/Om08	1
3	44869	(000000-) Fitting, Hyd, Str, Jm08/Om08	1
4	53076	(000000-) Fitting, Hyd, E90, Jm10/Om12	2
5	21198	(000000-) Screw, Hex, .38-16 X 1.25, 5	22
6	32485	(000000-) Washer, Flat, 0.38 Sae	2
7	1022666	(000000-) Pump, Hyd, Gear, Ext, 3, 00.97 2500, Cw	1
8	65145-1	(000000-) Seal, Org, .069 X 3.06id	11
9	47513	(000000-) Fitting, Hyd, E45, Jm08/Om10	1
10	56821	(000000-) Fitting, Hyd, E90, Jm08/Om10	1
11	47512	(000000-) Fitting, Hyd, E90, Jm06/Om08	1
12	67811	(000000-) Fitting, Hyd, Str, Jm20/Om16	1

Fig. 63 - Hydraulic Cooler and Tubes Group

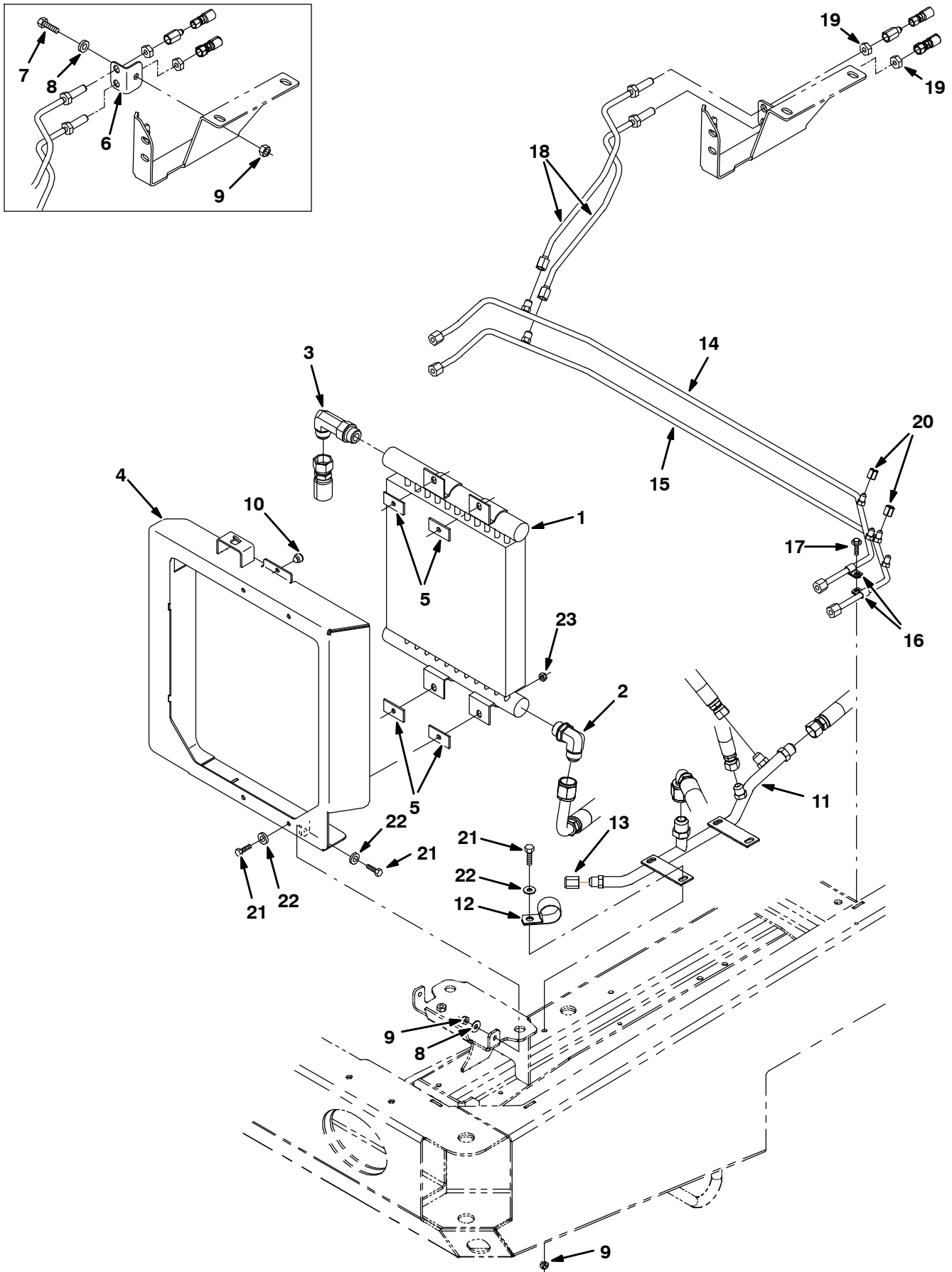


Fig. 63 - Hydraulic Cooler and Tubes Group

Ref.	Part No.	Serial Number	Description	Qty.
1	13698	(000000-) Cooler, Hyd, 25gpm 325btu Of12 13x12x2	1
2	46481	(000000-) Fitting, Hyd, E90, Jm12/Om12	1
3	62471	(000000-) Fitting, Hyd, E90, Jm12/Om12, L	1
4	1026319	(000000-) Bracket Wldt, Cooler, Hyd Fluid	1
5	1040318	(000000-) Pad, Tank, Hyd [W/Psa]	4
6	1026647	(000000-xxxxxx) Angle, Mtg, Stl, .12 1.6 1.6 02.2l	1
7	39283	(000000-xxxxxx) Screw, Hex, M10 X 1.5 X 25, 8.8	1
8	32492	(000000-xxxxxx) Washer, Flat, 0.38 Std	1
9	41430	(000000-xxxxxx) Nut, Hex, Lock, M10 X 1.5, NI	1
10	51787	(000000-) Bumper, Rbr, 0.6d 0.34t .3d Tip	1
11	1036959	(000000-) Tube, Hyd, Main Return	1
12	53466	(000000-) Clamp, Cable, Stl, 1.50d X 1.00w, 1h	1
13	60090	(000000-) Fitting, Hyd, Cap, Jf08	1
14	1028821	(000000-) Tube, Hyd, Sqge	1
15	1028822	(000000-) Tube, Hyd, Sqge	1
16	40678	(000000-) Clamp, Cable, Stl, 0.44d X 0.62w, 1h	2
17	74455	(000000-) Screw, Hex, M6 X 1.0 X 12, Fmg	1
18	1028823	(000000-) Tube, Hyd, Rear Sqge [M20]	2
19	35904	(000000-) Nut, Ftg, Hyd, 0.56-18	2
20	50161	(000000-) Fitting, Hyd, Cap, Jf04	2
21	39277	(000000-) Screw, Hex, M8 X 1.25 X 25, 8.8	8
22	32491	(000000-) Washer, Flat, 0.31, Std	8
23	07791	(000000-) Nut, Hex, FIng, M8 X 1.25	8

Fig. 64 - Hydraulic Reservoir Group

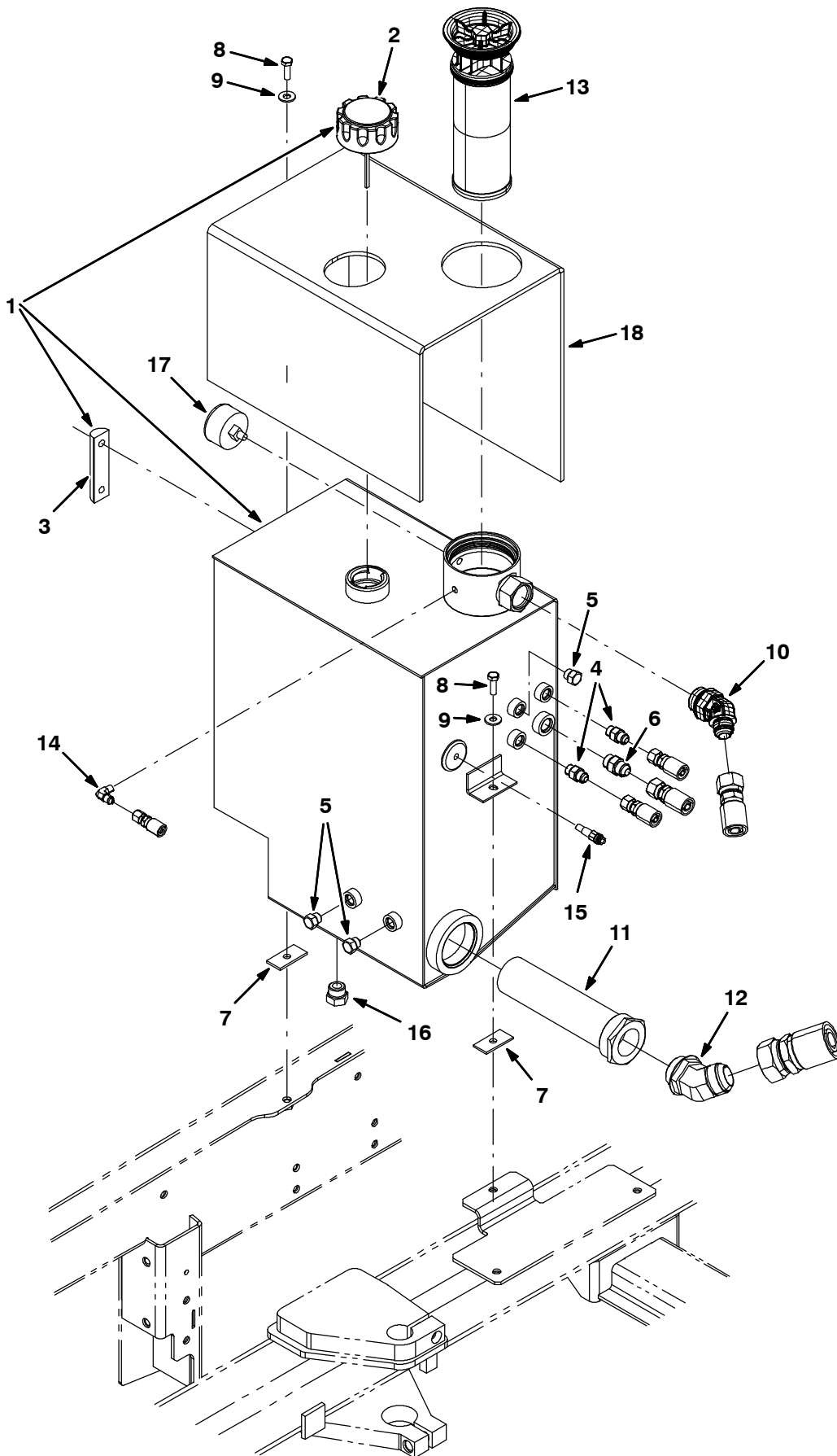


Fig. 64 - Hydraulic Reservoir Group

Ref.	Part No.	Serial Number	Description	Qty.
▽	1	9002398	(000000-) Reservoir, Hyd, 10.0Gal, Replmt	1
▲	2	25122	(000000-) Cap, Breather, Hyd, 2.4 Ds	1
▲	3	65215	(000000-) Gauge, Sensing, Level	1
	4	56690	(000000-) Fitting, Hyd, Str, Jm06/Om06	2
	5	46482	(000000-) Fitting, Hyd, Plug, Om06	3
	6	44869	(000000-) Fitting, Hyd, Str, Jm08/Om08	1
	7	1040318	(000000-) Pad, Tank, Hyd [W/Psa]	2
	8	39277	(000000-) Screw, Hex, M8 X 1.25 X 25, 8.8	2
	9	32491	(000000-) Washer, Flat, 0.31 Std	2
	10	1023545	(000000-) Fitting, Hyd, E45, Jm12/Om16	1
	11	31613	(000000-) Strainer, Hyd, 25gpm 100mesh Psi	1
	12	71726	(000000-) Fitting, Hyd, E45, Jm20/Om20	1
	13	1021579	(000000-) Filter Assy [Pt4 936498]	1
	14	55455	(000000-) Fitting, Hyd, E90, Jm04/Pm02	1
	15	58592	(000000-) Send-Unit, Water, Temp, 04npt 113oh/195d	1
	16	40362	(000000-) Fitting, Hyd, Plug, Om10	1
	17	1025132	(000000-) Indicator, Press, 60psi	1
	18	1034878	(000000-) Insulation, Thermal, Hydraulic Blanket	1

Fig. 65 - Hydraulic Valves Group (000000-002699)

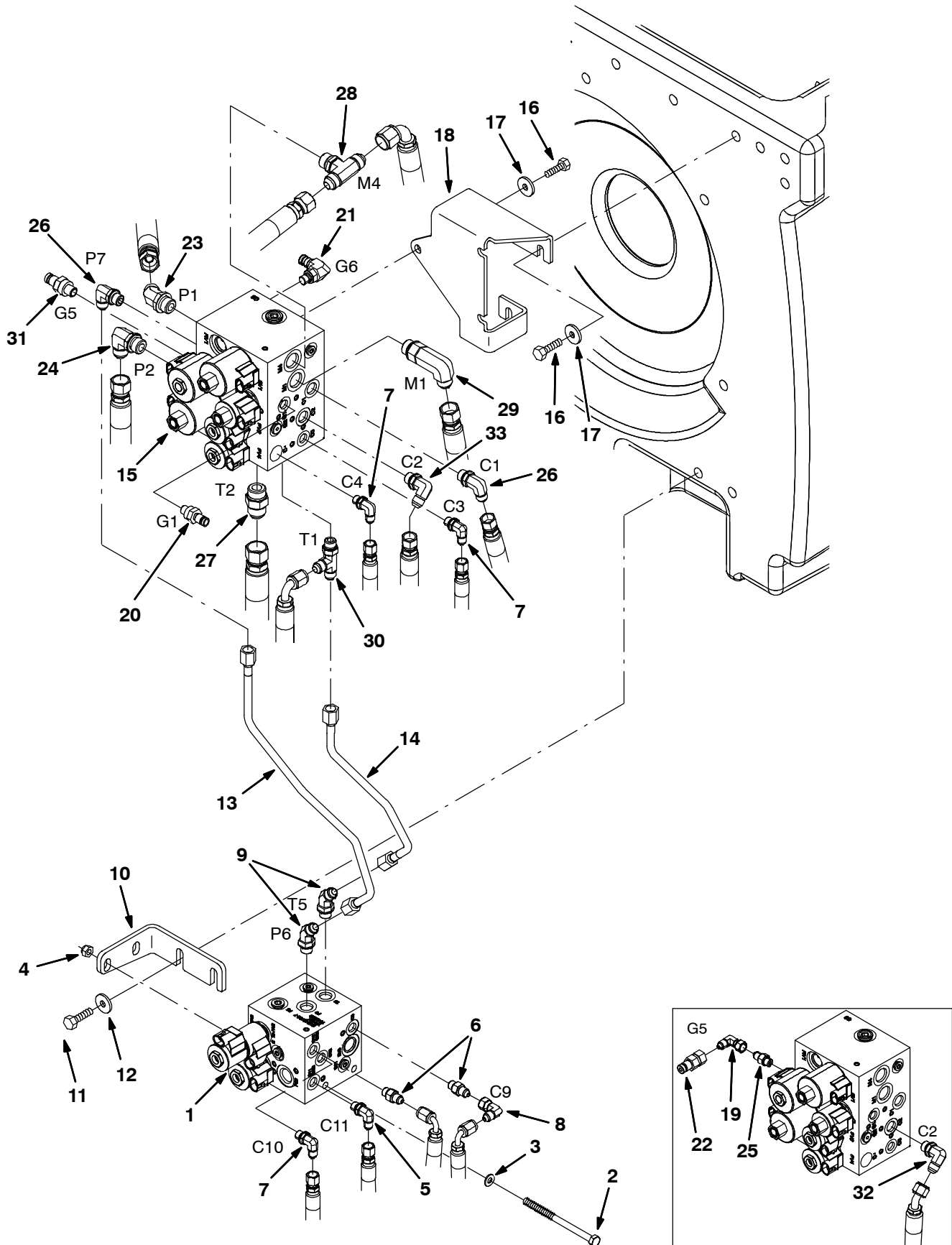


Fig. 65 - Hydraulic Valves Group (000000-002699)

Ref.	Part No.	Serial Number	Description	Qty.
1	1018936	(000000-002699)	Valve, Cntrl, Hyd [M20] (See Breakdowns)	1
2	49883	(000000-002699)	Screw, Hex, M8 X 1.25 X 120, 8.8, FI	2
3	32491	(000000-002699)	Washer, Flat, 0.31, Std	2
4	08709	(000000-002699)	Nut, Hex, Lock, M8 X 1.25, NI	2
5	77097	(000000-002699)	Fitting, Hyd, E90, Jm04/Om04	2
6	55586	(000000-002699)	Fitting, Hyd, Str, Jm04/Om04	2
7	77097	(000000-002699)	Fitting, Hyd, E90, Jm04/Om04	2
8	39210	(000000-002699)	Fitting, Hyd, E90, Jf04/Jm04	1
9	47522	(000000-002699)	Fitting, Hyd, E45, Jm06/Om06	2
10	1020708	(000000-002699)	Bracket, Mtg, Valve, Hyd, Swp	1
11	09740	(000000-002699)	Screw, Hex, M8 X 1.25 X 20, Ss	2
12	1017218	(000000-002699)	Washer, Flat, 0.32b 1.00d .12, Ss	2
13	1022482	(000000-002699)	Tube, Hyd, Swp	1
14	1022484	(000000-002699)	Tube, Hyd, Swp	1
15	1020394	(000000-002699)	Valve, Cntrl, Hyd (See Breakdowns)	1
16	09740	(000000-002699)	Screw, Hex, M8 X 1.25 X 20, Ss	6
17	1017218	(000000-002699)	Washer, Flat, 0.32b 1.00d .12, Ss	6
18	1021991	(000000-002699)	Bracket, Mtg, Valve, Hyd, Scb	1
19	39210	(000000-001271)	Fitting, Hyd, E90, Jf04/Jm04	1
20	395973	(000000-002699)	Fitting, Hyd, Str, Om04/Qm04	1
21	395974	(000000-002699)	Fitting, Hyd, E90, Om04/Qm04	1
22	396476	(000000-001271)	Fitting, Hyd, Str, Jf04/Qm04	1
23	42226	(000000-002699)	Fitting, Hyd, E45, Jm08/Om08	1
24	44868	(000000-002699)	Fitting, Hyd, E90, Jm08/Om08	1
25	55586	(000000-001271)	Fitting, Hyd, Str, Jm04/Om04	1
26	56820	(000000-002699)	Fitting, Hyd, E90, Jm06/Om06	2
27	46480	(000000-002699)	Fitting, Hyd, Str, Jm10/Om10	1
28	49933	(000000-002699)	Fitting, Hyd, Tee, Jm08/Jm08/Om08, Br	1
29	69173	(000000-002699)	Fitting, Hyd, E90, Jm08/Om08, L	1
30	76316	(000000-002699)	Fitting, Hyd, Tee, Jm06/Jm06/Om06, Run	1
31	395973	(001272-026999)	Fitting, Hyd, Str, Om04/Qm04	1
32	56820	(000000-001337)	Fitting, Hyd, E90, Jm06/Om06	1
33	71727	(001338-026999)	Fitting, Hyd, E90, Jm06/Om06, L	1

Fig. 66 - Hydraulic Valve Group (002700-)

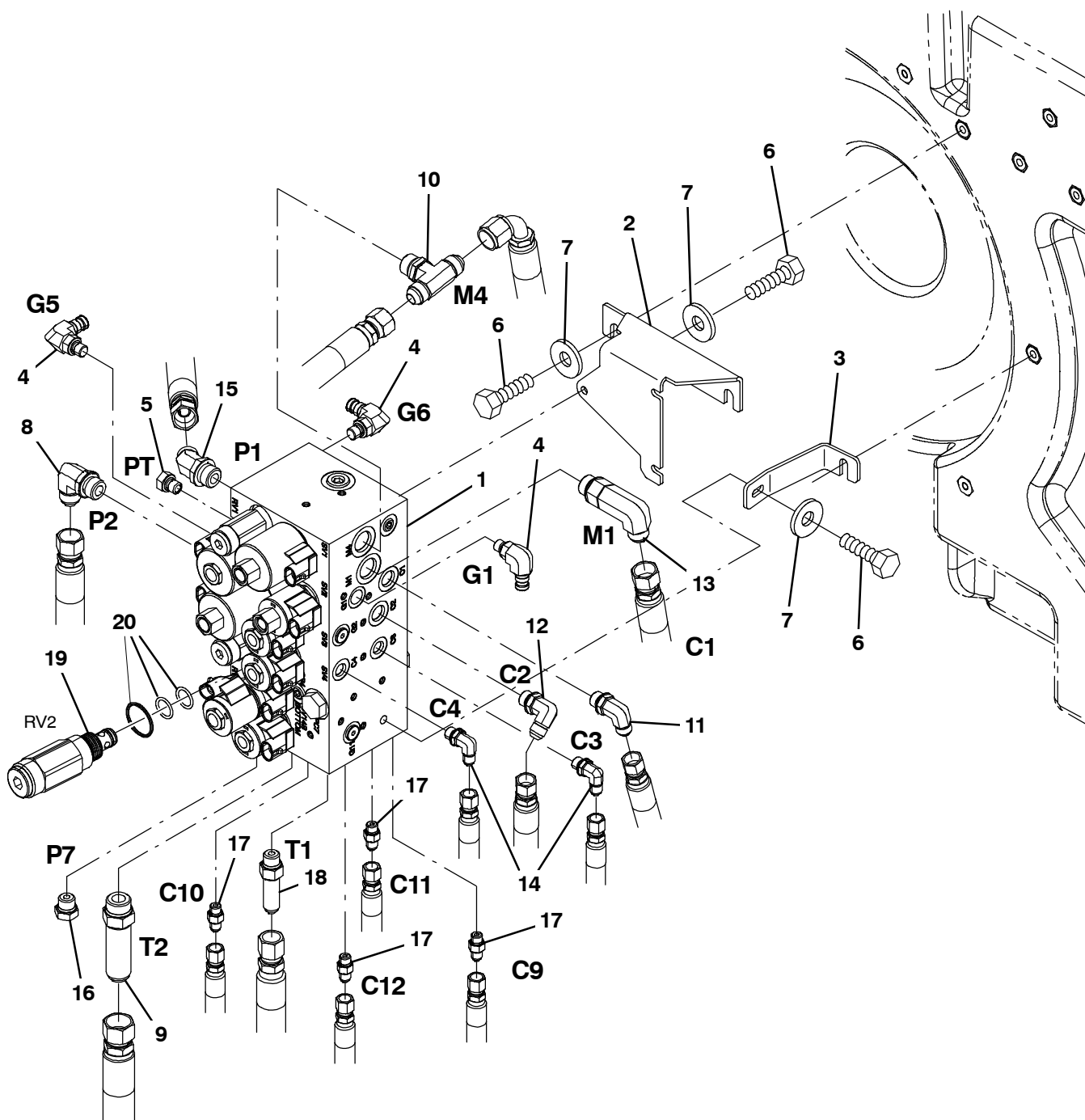
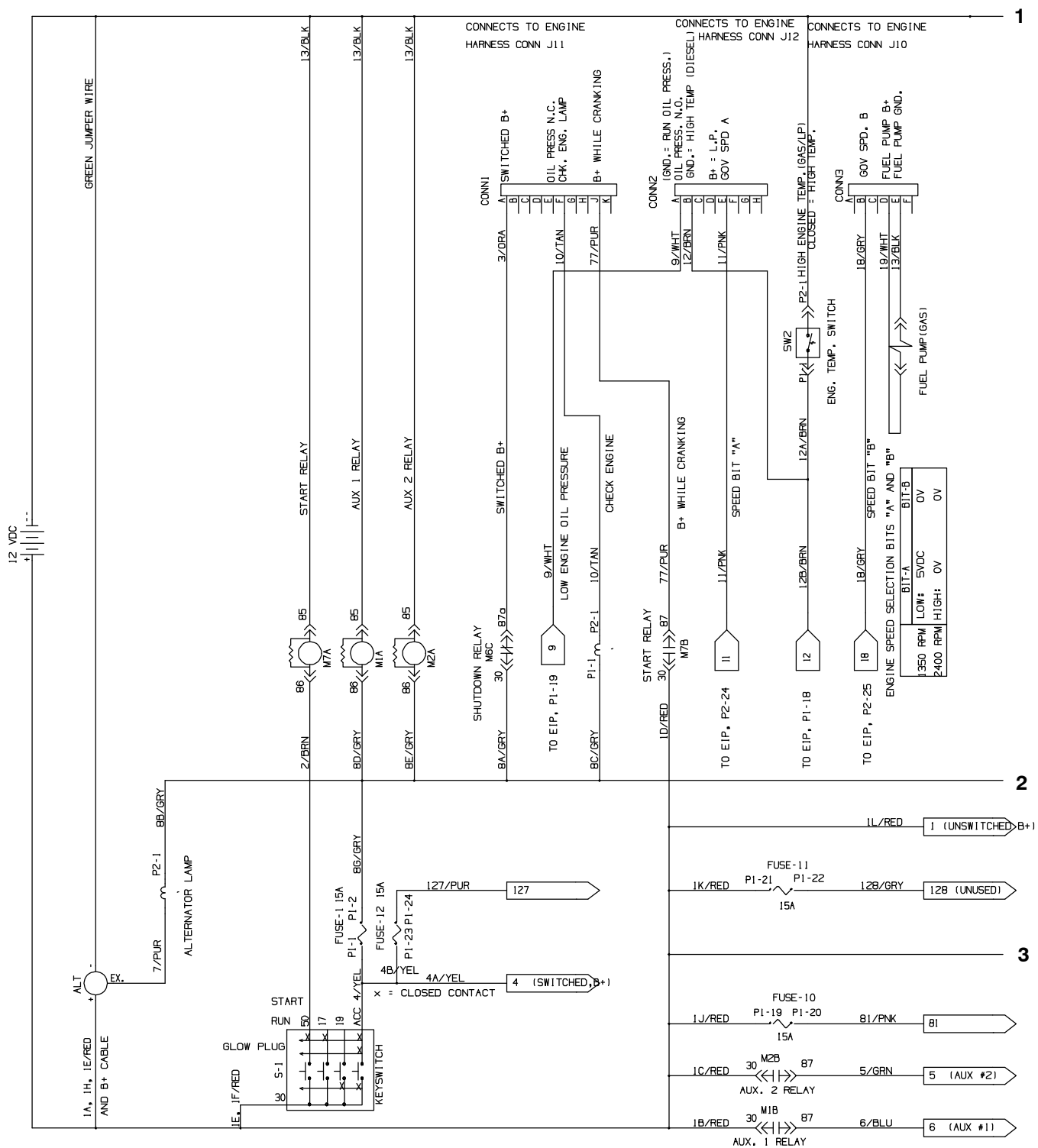


Fig. 65 - Hydraulic Valve Group (002700-)

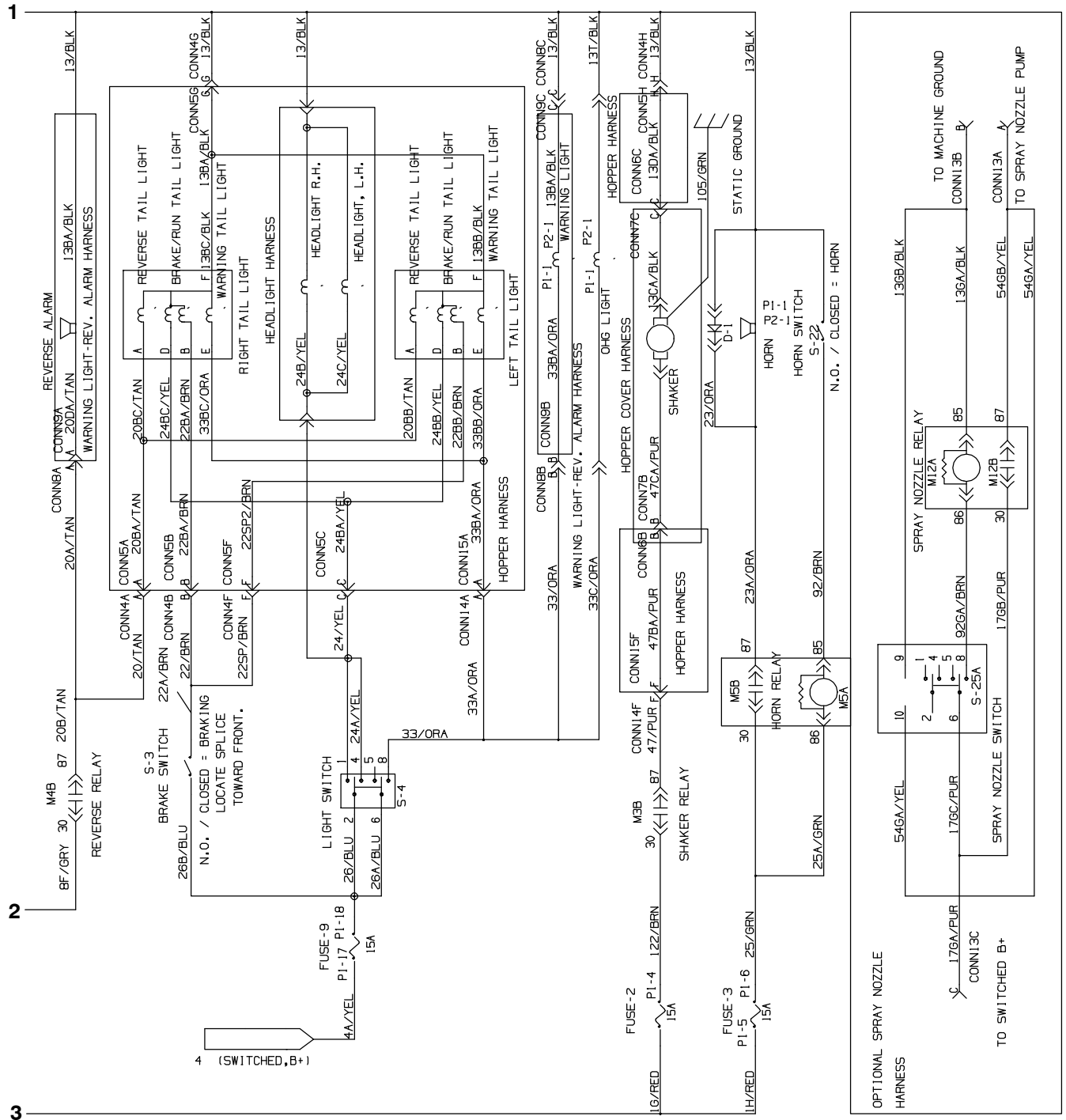
Ref.	Part No.	Serial Number	Description	Qty.
1	1038566	(002700-) Valve, Hyd, Solenoid, 12vdc (See Breakdown)	1
2	1039789	(002700-) Bracket, Mtg, Valve [Combined]	1
3	1040117	(002700-) Bracket, Mtg, Valve, Lower	1
4	395974	(002700-) Fitting, Hyd, E90, Om04/Qm04	3
5	33812	(002700-) Fitting, Hyd, Plug, Om04	1
6	09740	(002700-) Screw, Hex, M8 X 1.25 X 20, Ss	8
7	1017218	(002700-) Washer, Flat, 0.32b 1.00d .12, Ss	8
8	69173	(002700-) Fitting, Hyd, E90, Jm08/Om08, Long	1
9	1040876	(002700-) Fitting, Hyd, Str, Jm10/Om10, Long	1
10	49933	(002700-) Fitting, Hyd, Tee, Jm08/Jm08/Om08, Br	1
11	56820	(002700-) Fitting, Hyd, E90, Jm06/Om06	1
12	71727	(002700-) Fitting, Hyd, E90, Jm06/Om06, Long	1
13	69173	(002700-) Fitting, Hyd, E90, Jm08/Om08, Long	1
14	77097	(002700-) Fitting, Hyd, E90, Jm04/Om04	2
15	42226	(002700-) Fitting, Hyd, E45, Jm08/Om08	1
16	46482	(002700-) Fitting, Hyd, Plug, Om06	1
17	55586	(002700-) Fitting, Hyd, Str, Jm04/Om04	4
18	59577	(002700-) Fitting, Hyd, Str, Jm06/Om06, Long	1
19	1044367	(002700-) Valve, Relief, 0600Psi	1
20	373647	(002700-) Seal Kit, Cartridge	1

Fig. 67 - Electrical Schematic (000000-001999)



1018547 - 354458

Fig. 67 - Electrical Schematic (00000-001999)



1018547

Fig. 67 - Electrical Schematic (000000-001999)

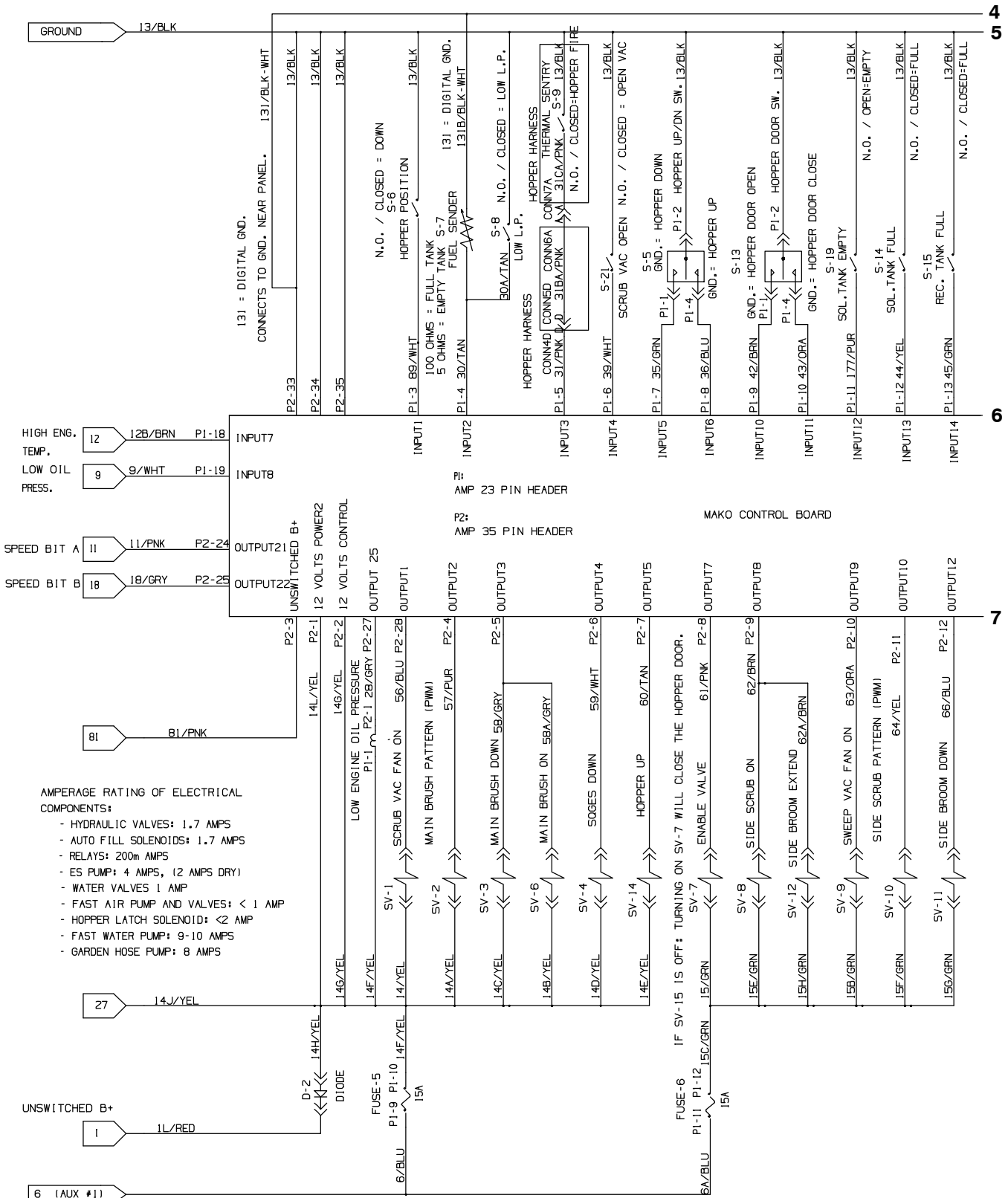
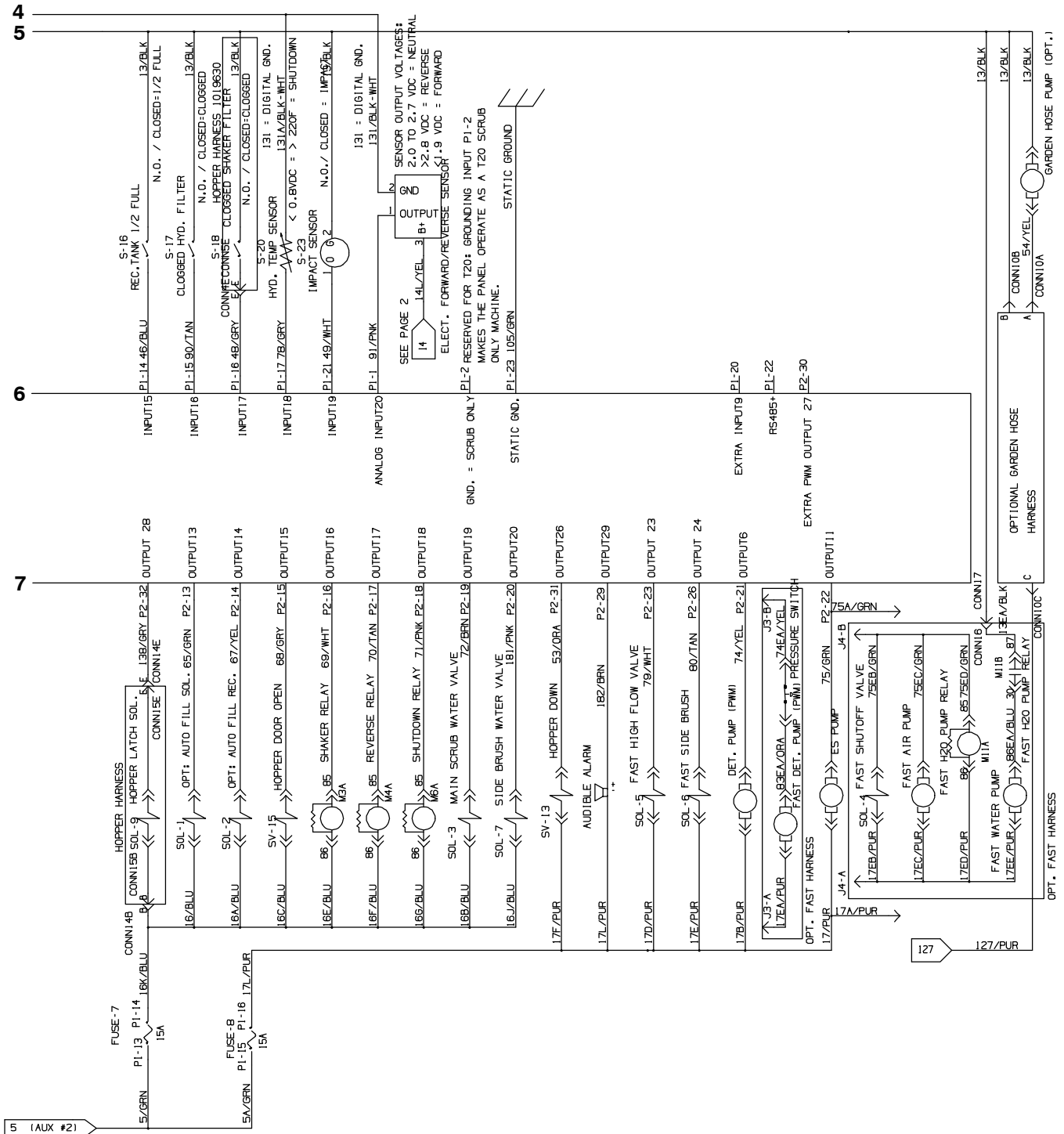
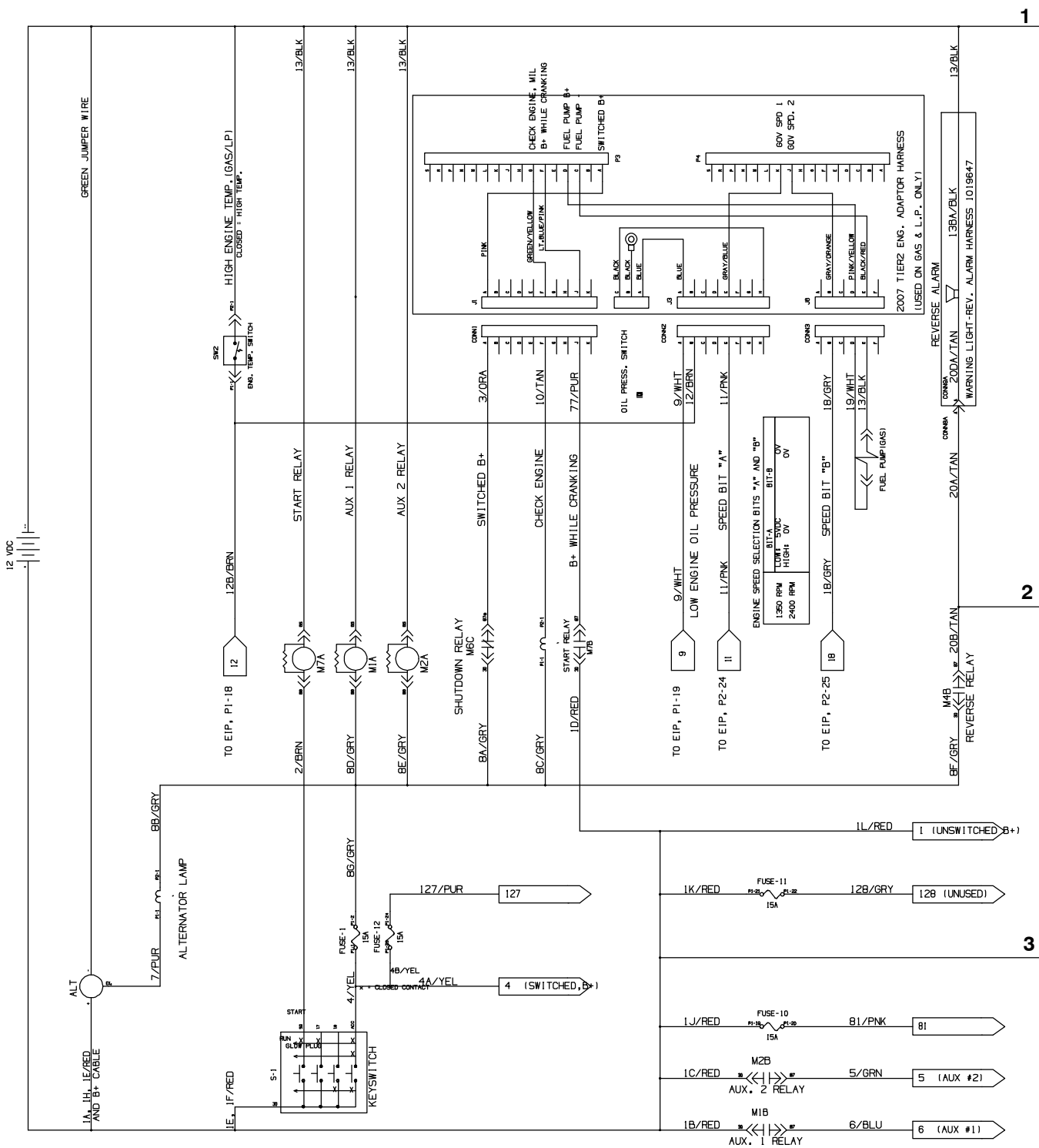


Fig. 67 - Electrical Schematic (00000-001999)



1018547

Fig. 68 - Electrical Schematic (002000-002532)



1018547 - 354458

Fig. 68 - Electrical Schematic (002000-002532)

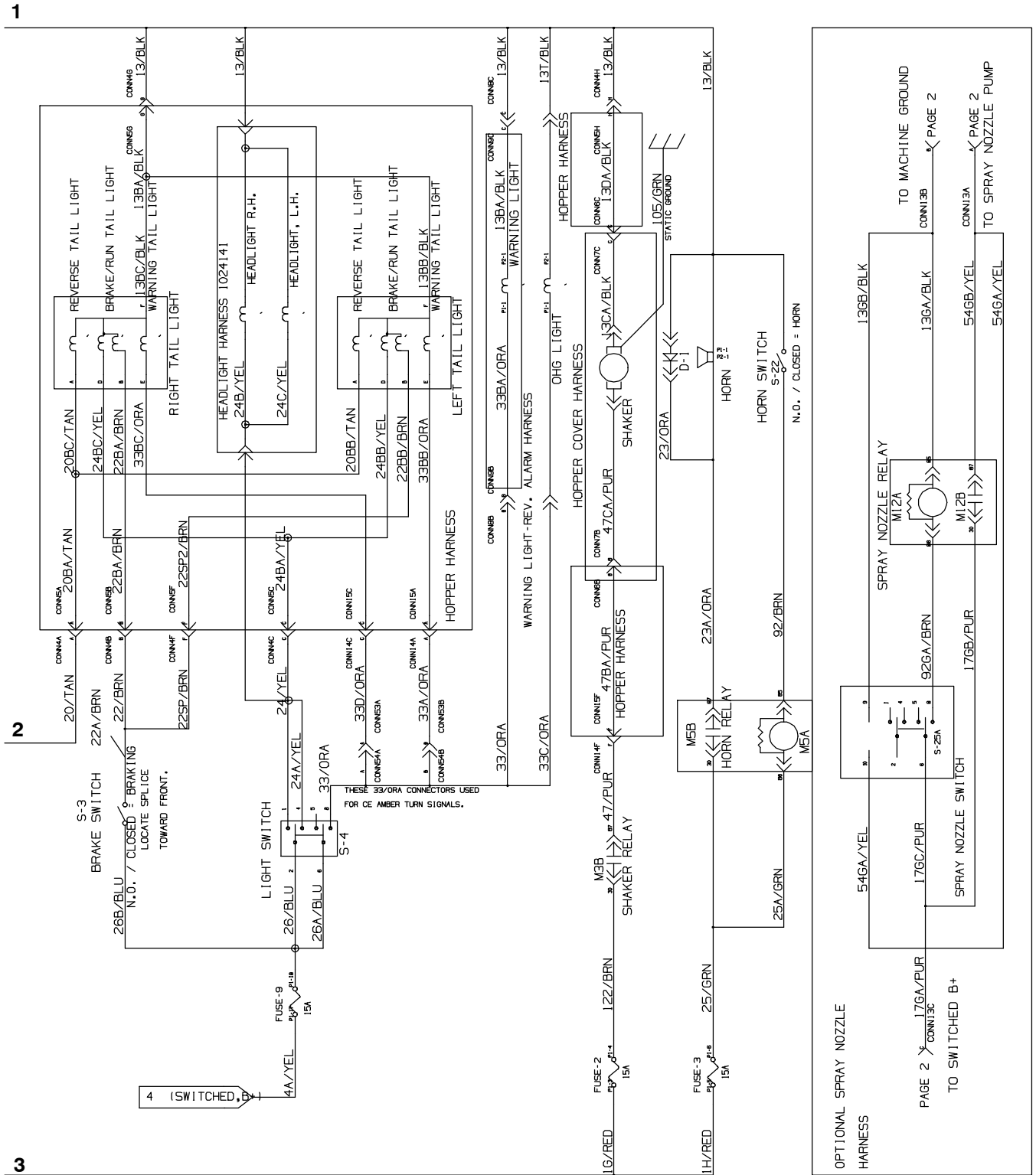
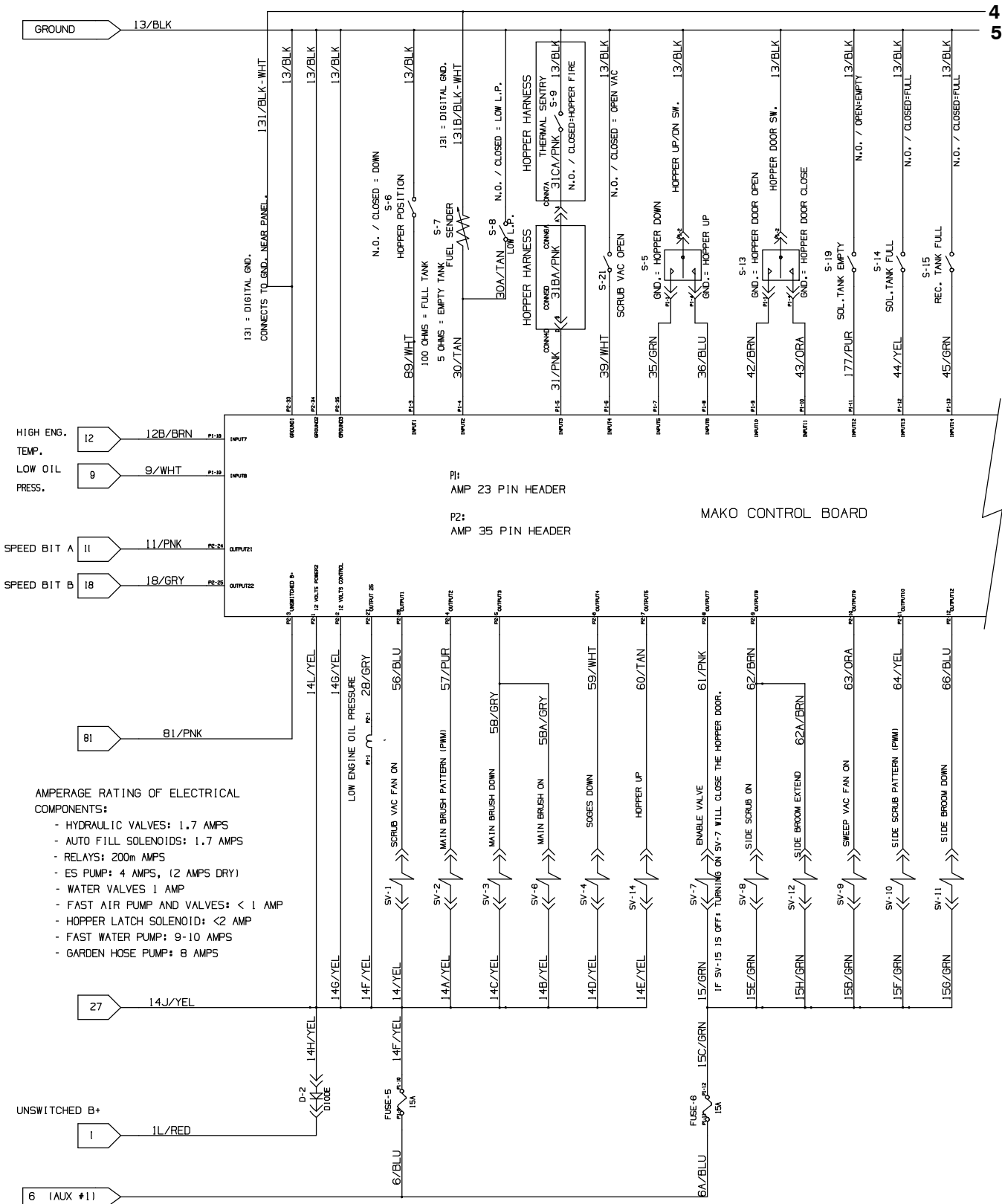
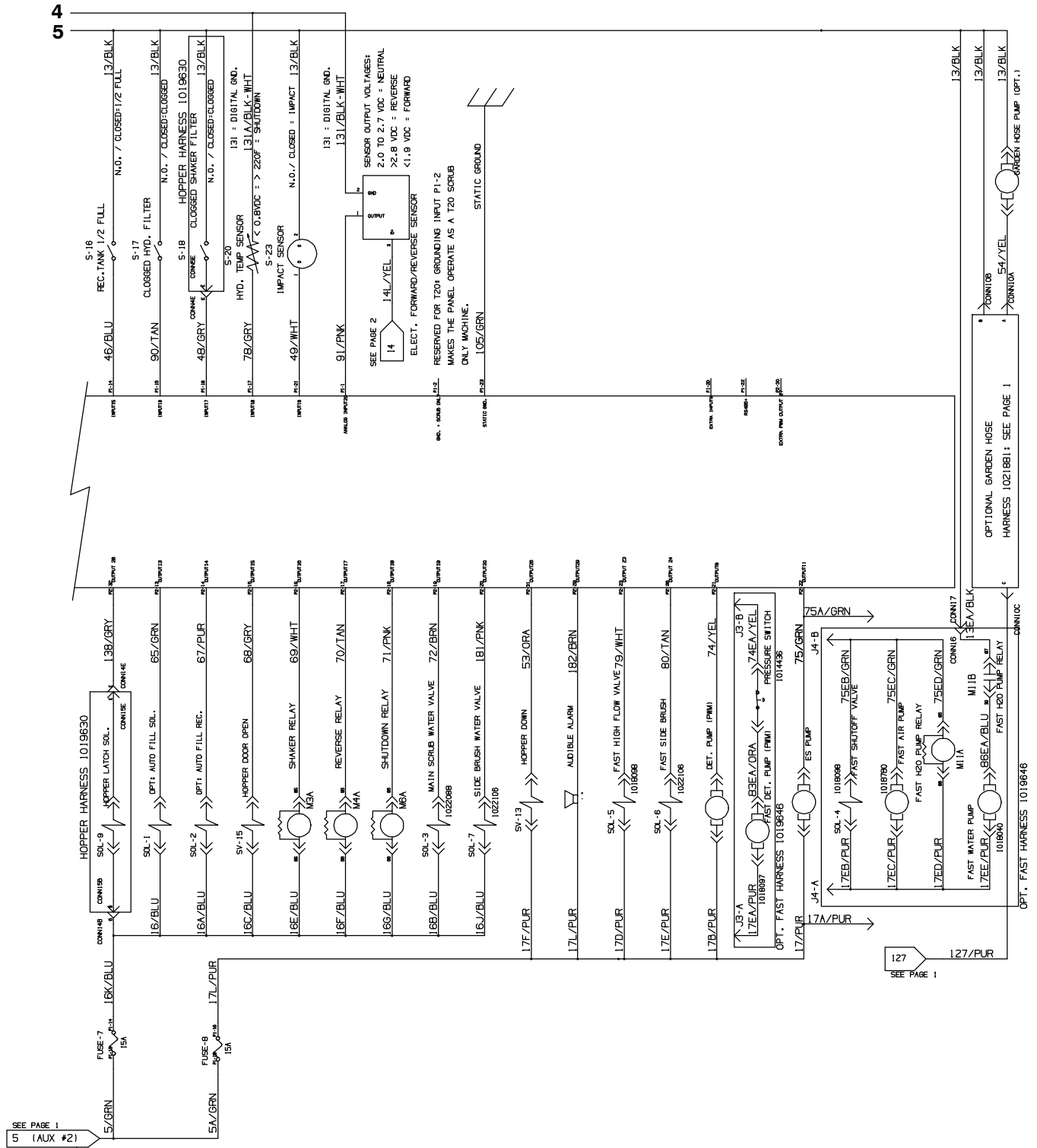


Fig. 68 - Electrical Schematic (002000-002532)



1018547

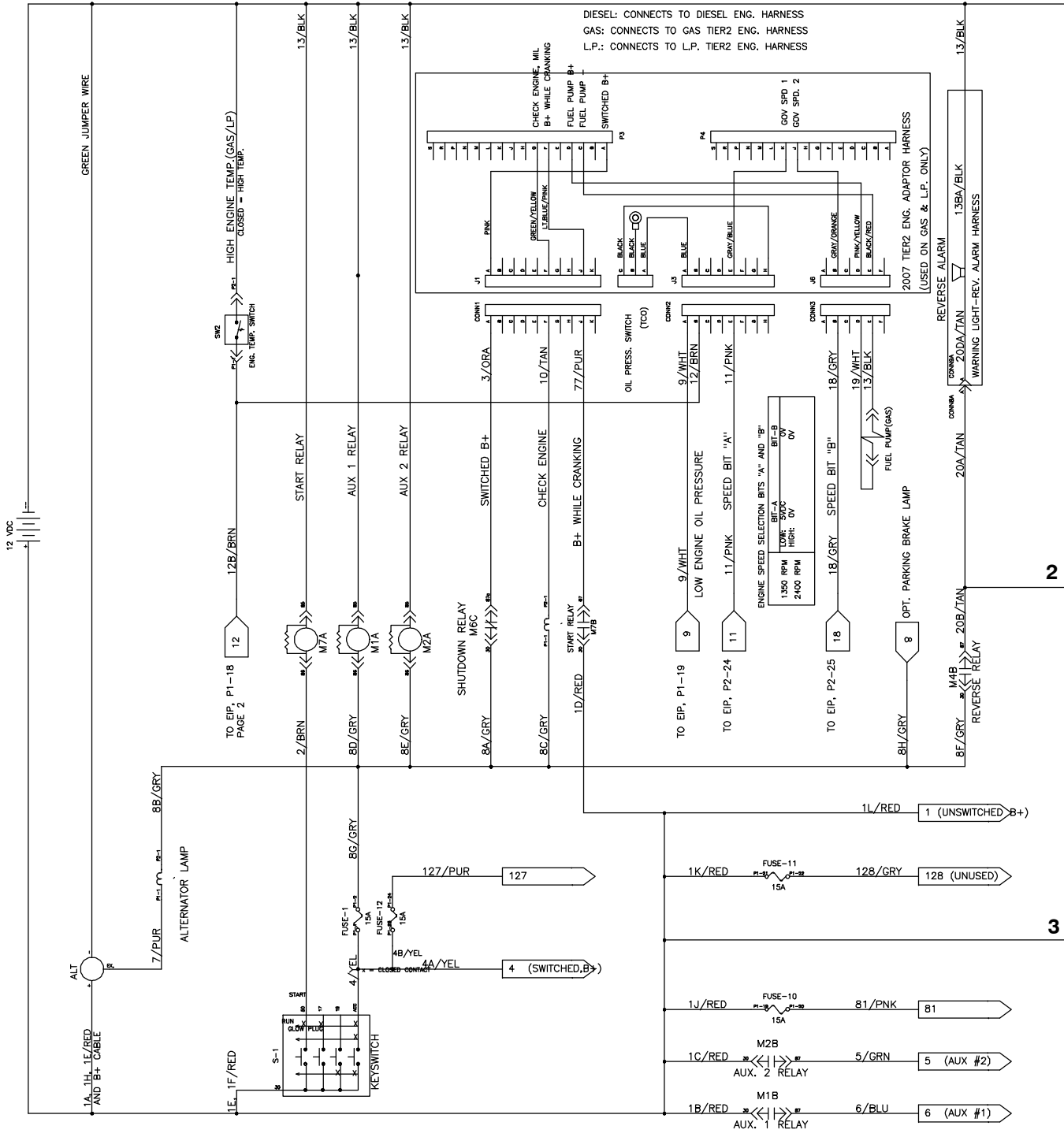
Fig. 68 - Electrical Schematic (002000-002532)



1018547

Fig. 69 - Electrical Schematic (002533-)

1

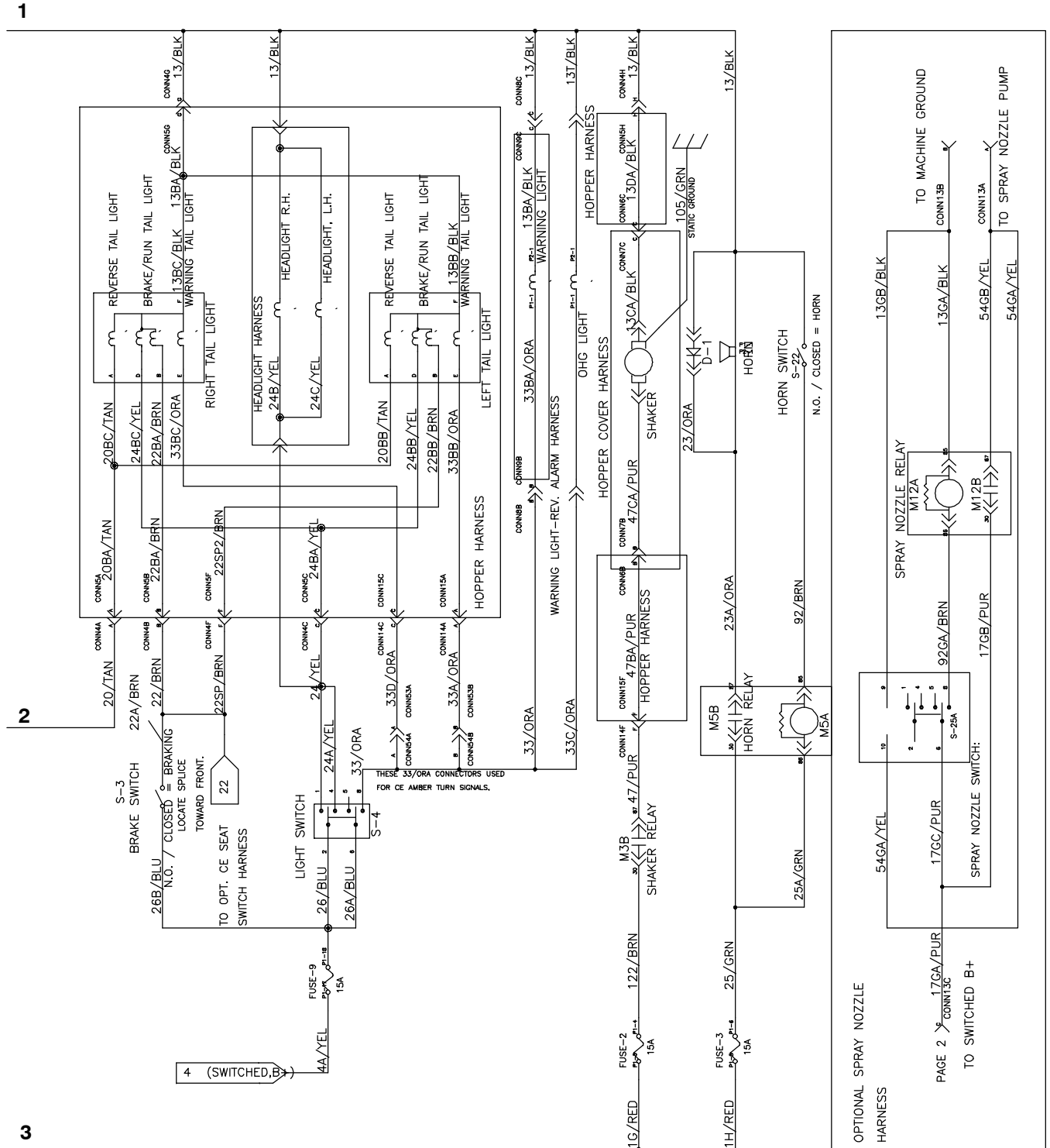


2

3

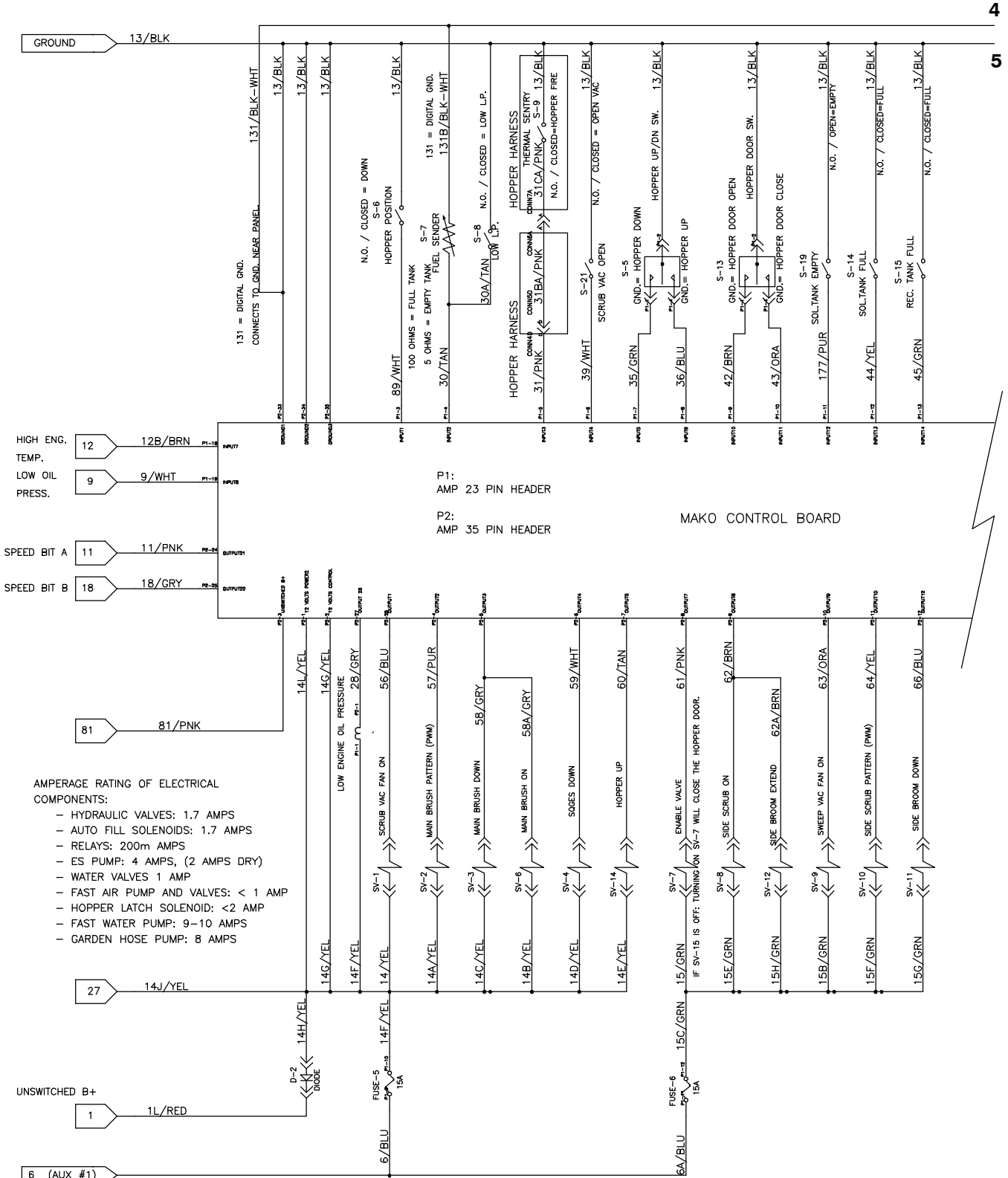
1018547 - 354458

Fig. 69 - Electrical Schematic (002533-



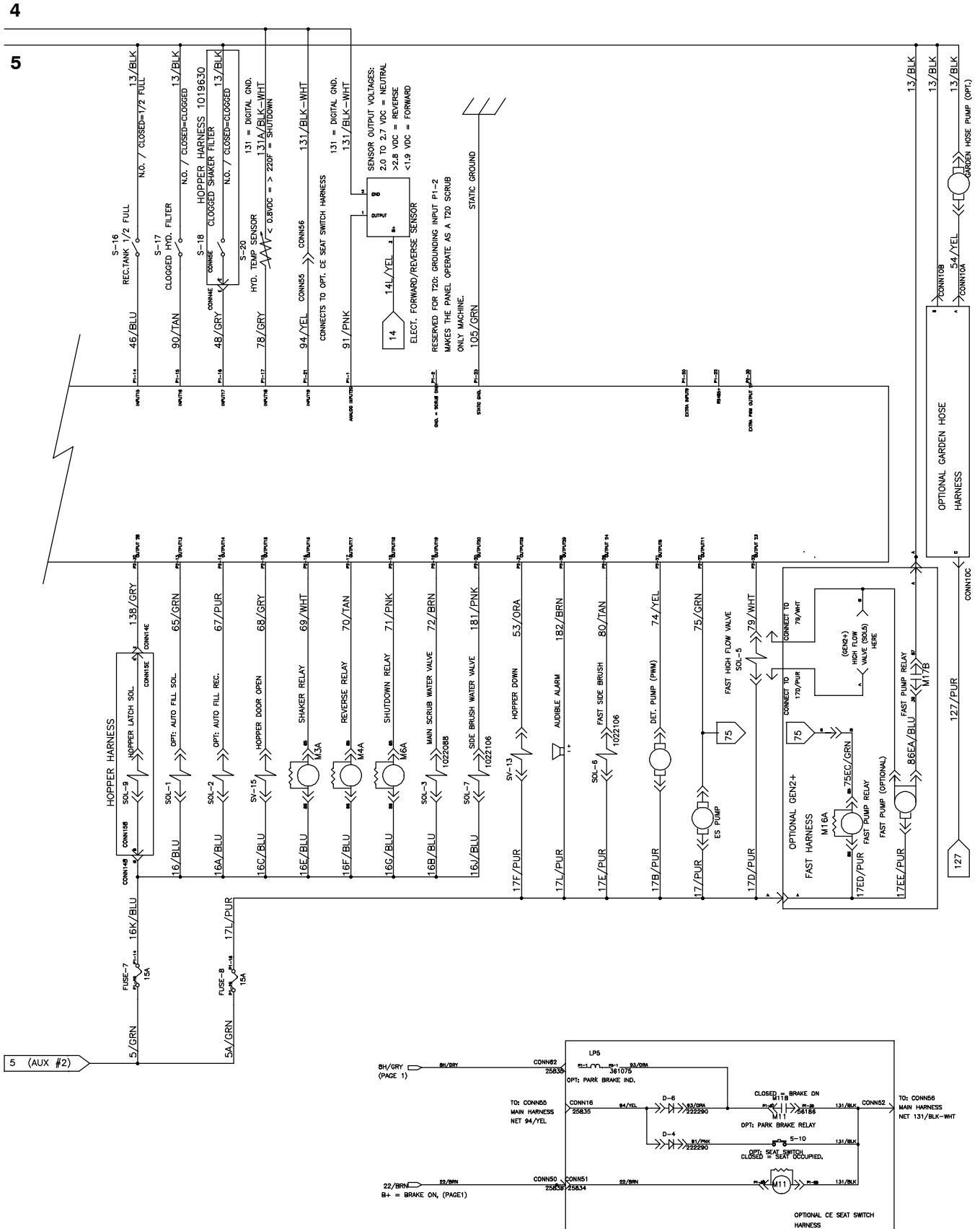
1018547 - 354458

Fig. 69 - Electrical Schematic (002533-)



1018547 - 354458

Fig. 69 - Electrical Schematic (002533-)



1018547 - 354458

Fig. 70 - Electrical Schematic, Gas/LPG Engine Harness (000000-001999)

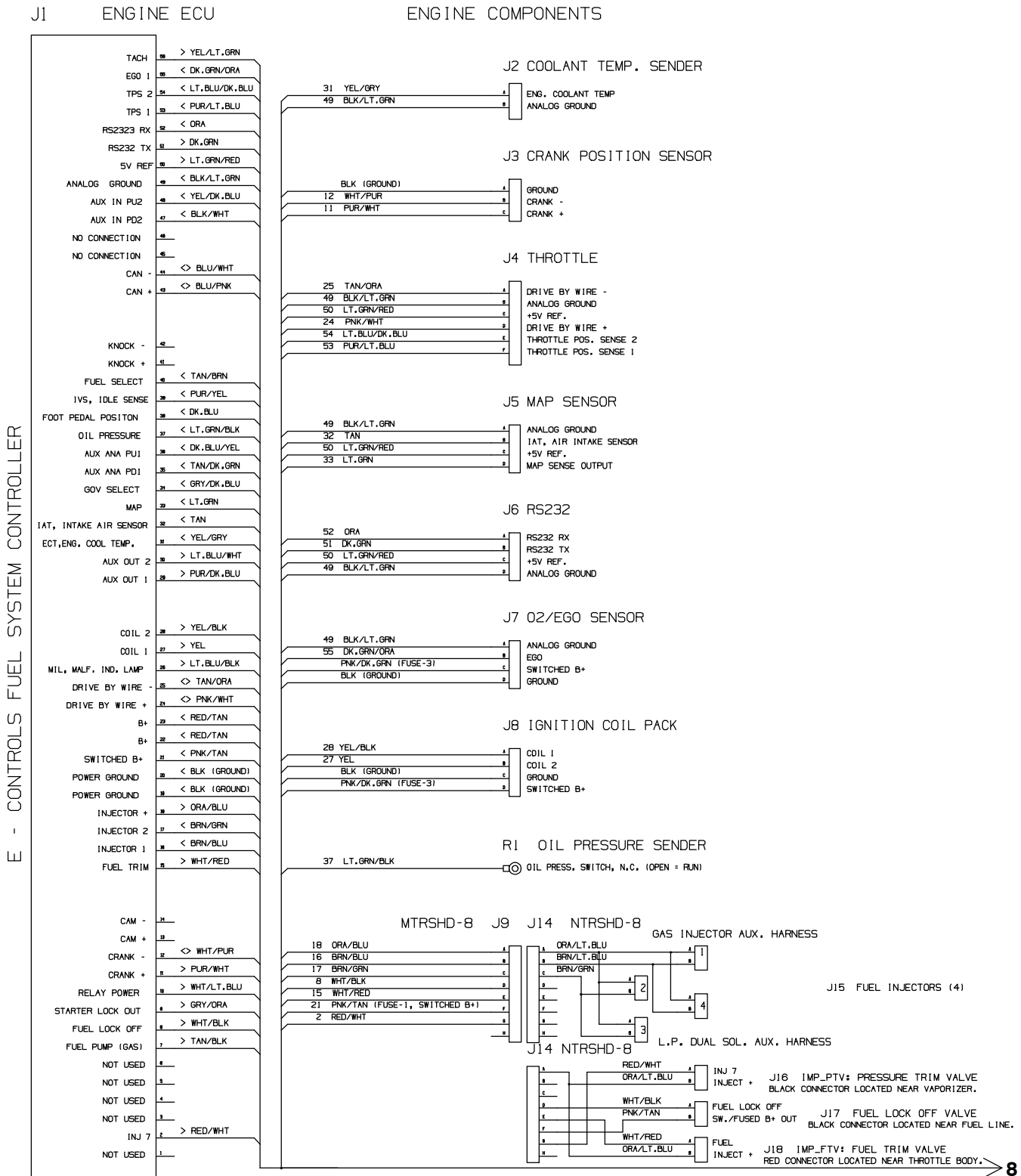
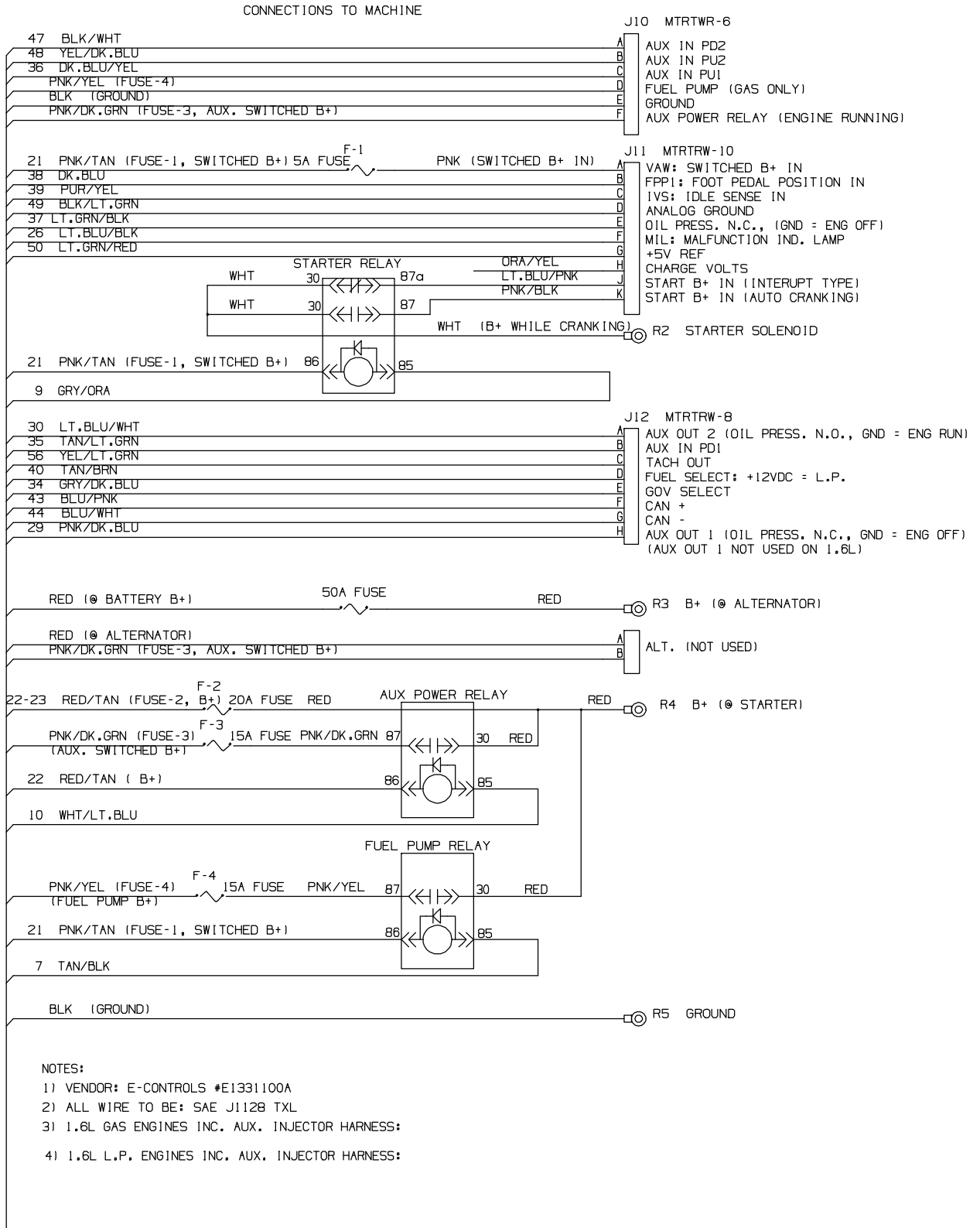


Fig. 70 - Electrical Schematic, Gas/LPG Engine Harness (000000-001999)

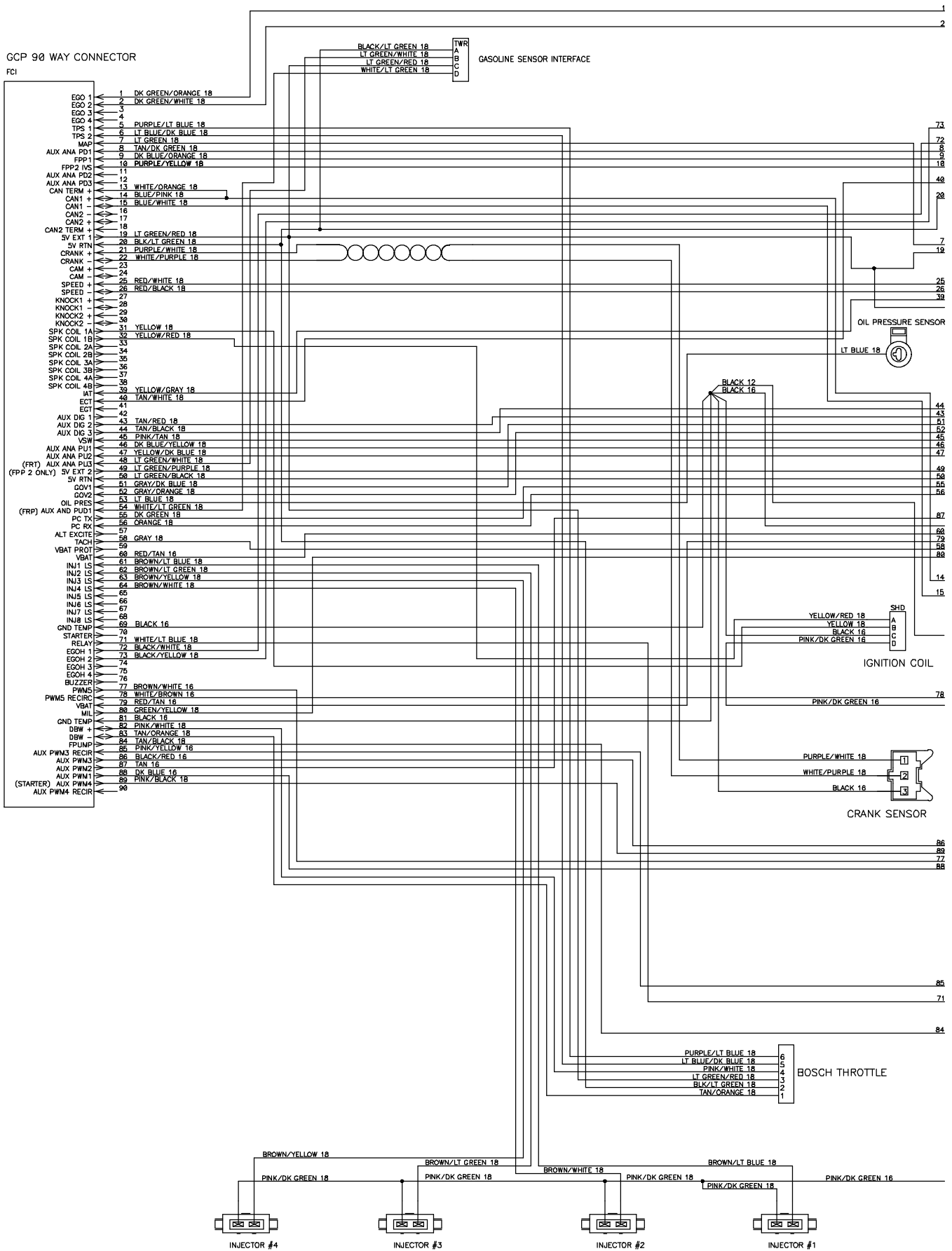


8

1018547

STANDARD PARTS

Fig. 71 - Electrical Schematic, Gas Engine Harness (002000-)



384997 - 354495

Fig. 71 - Electrical Schematic, Gas Engine Harness (002000-)

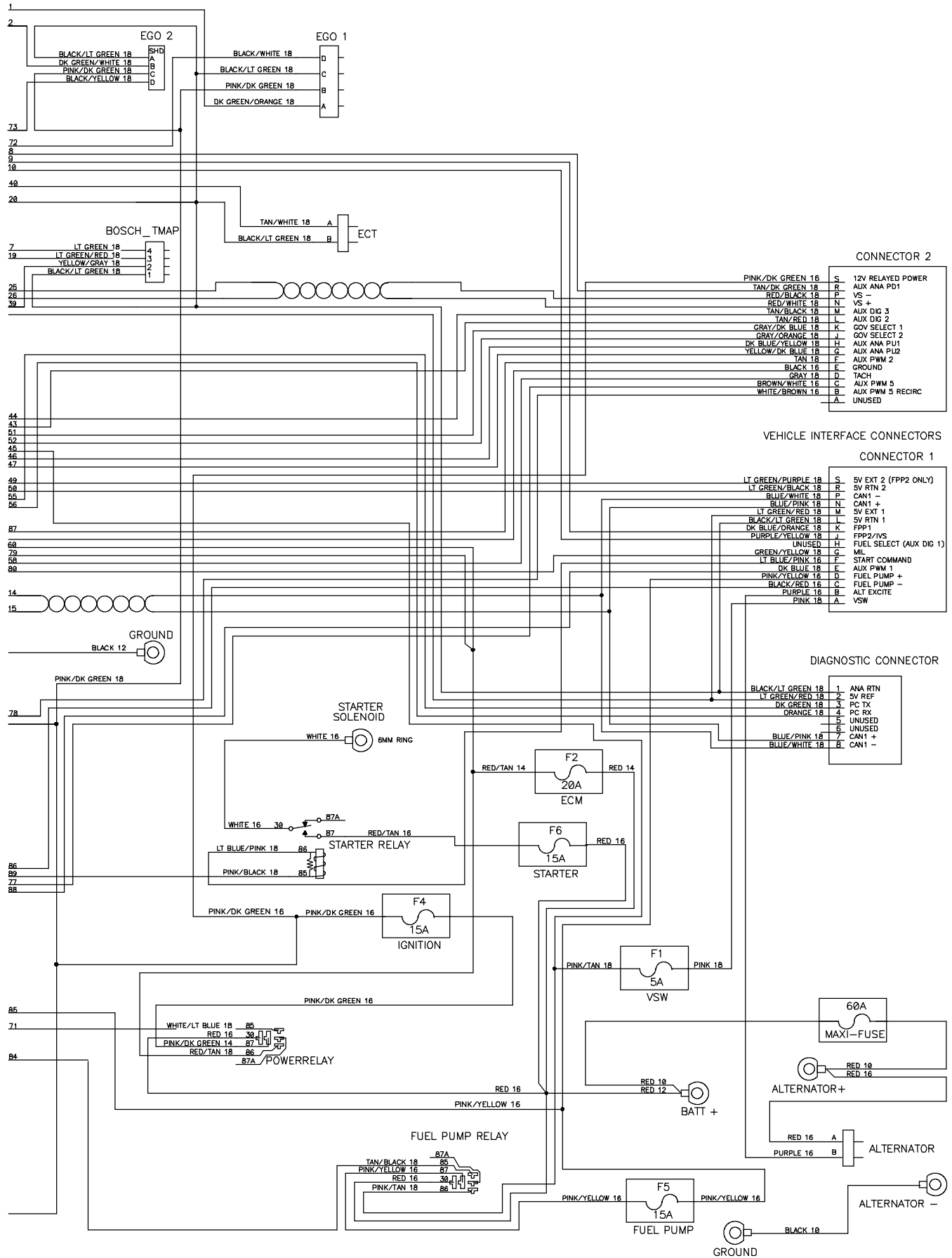
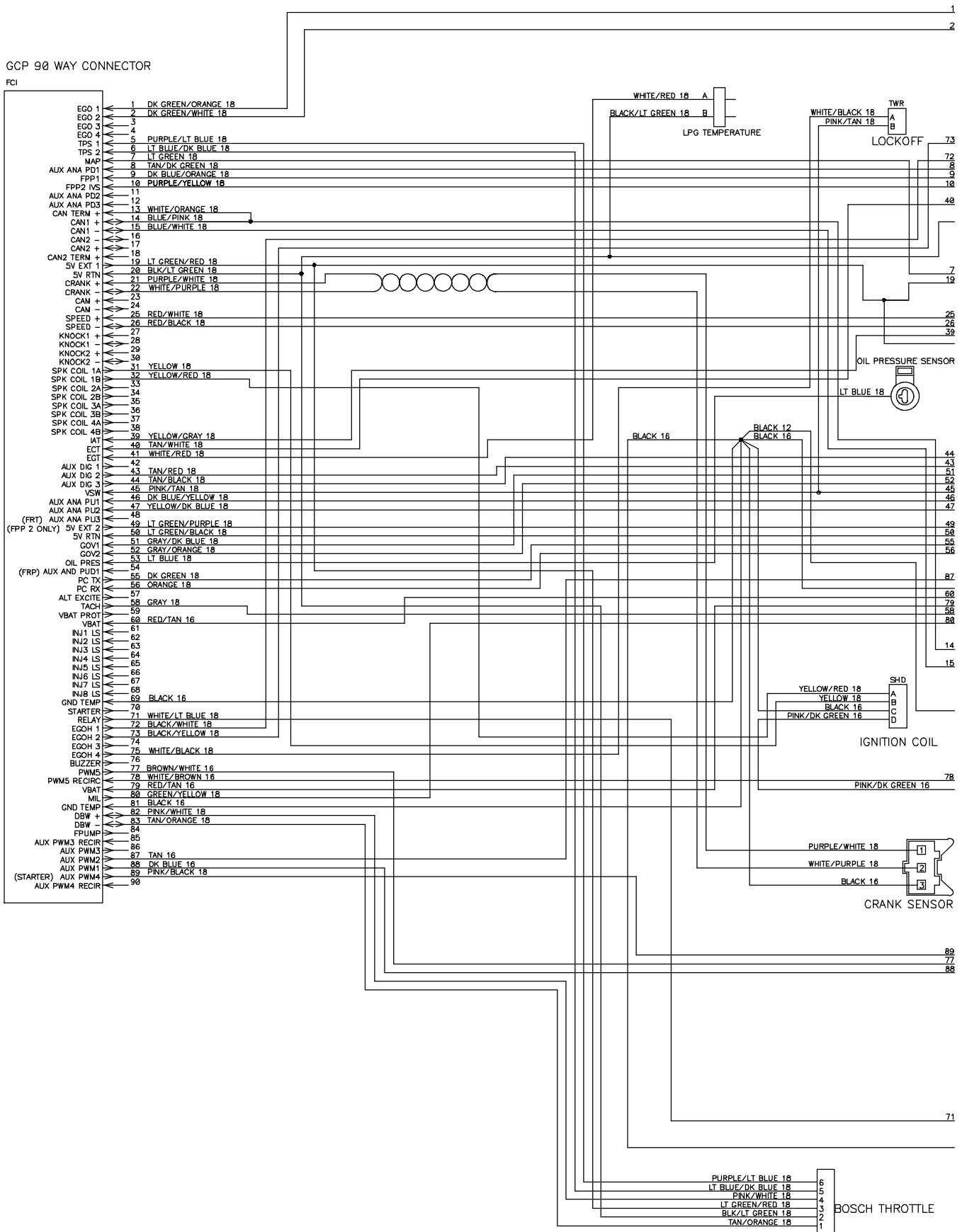
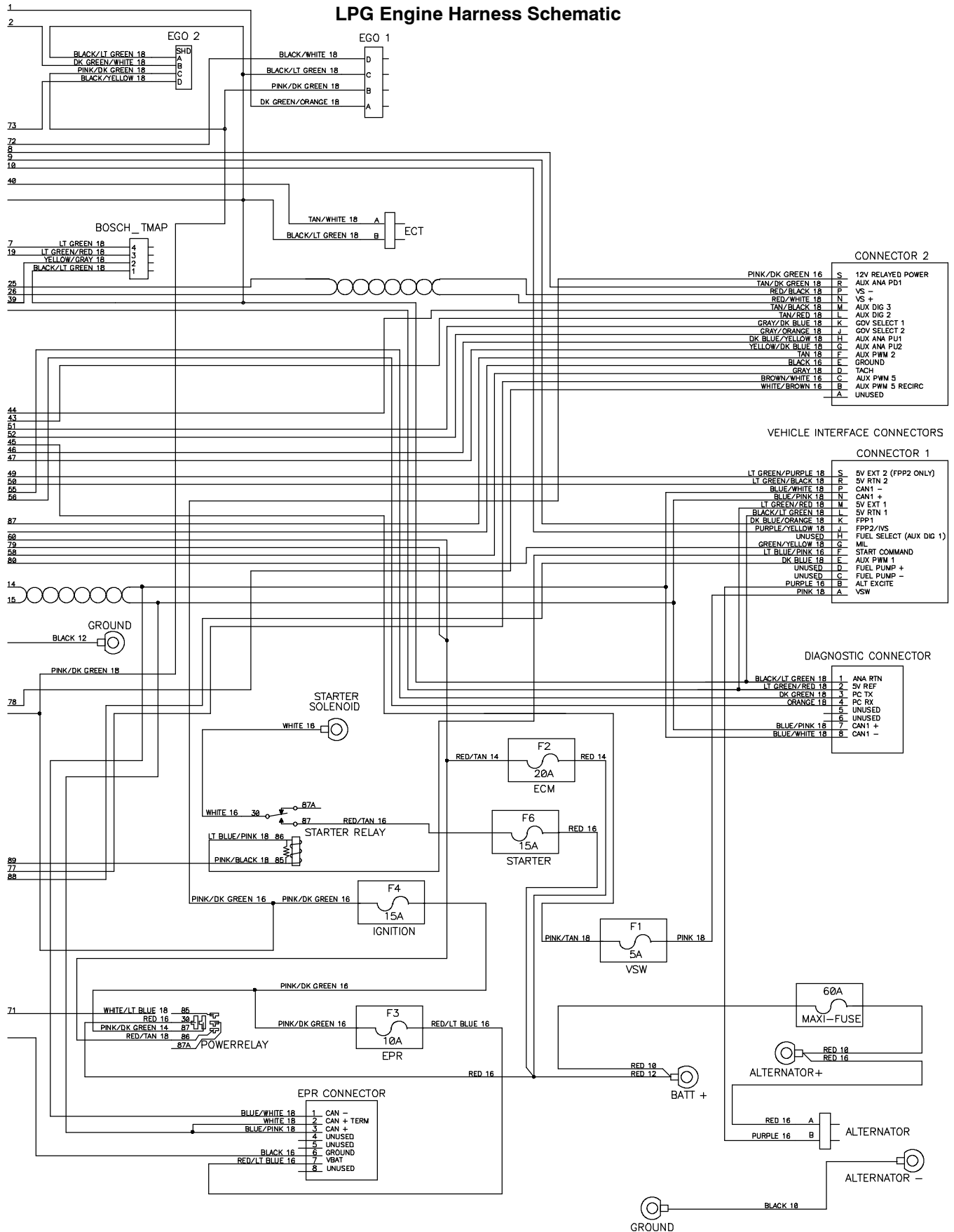


Fig. 72 - Electrical Schematic, LPG Engine Harness (002000-)



384990 - 354497

Fig. 72 - Electrical Schematic, LPG Engine Harness (002000-)



384990 - 354498

Fig. 73 - Electrical Wire Harnesses Group

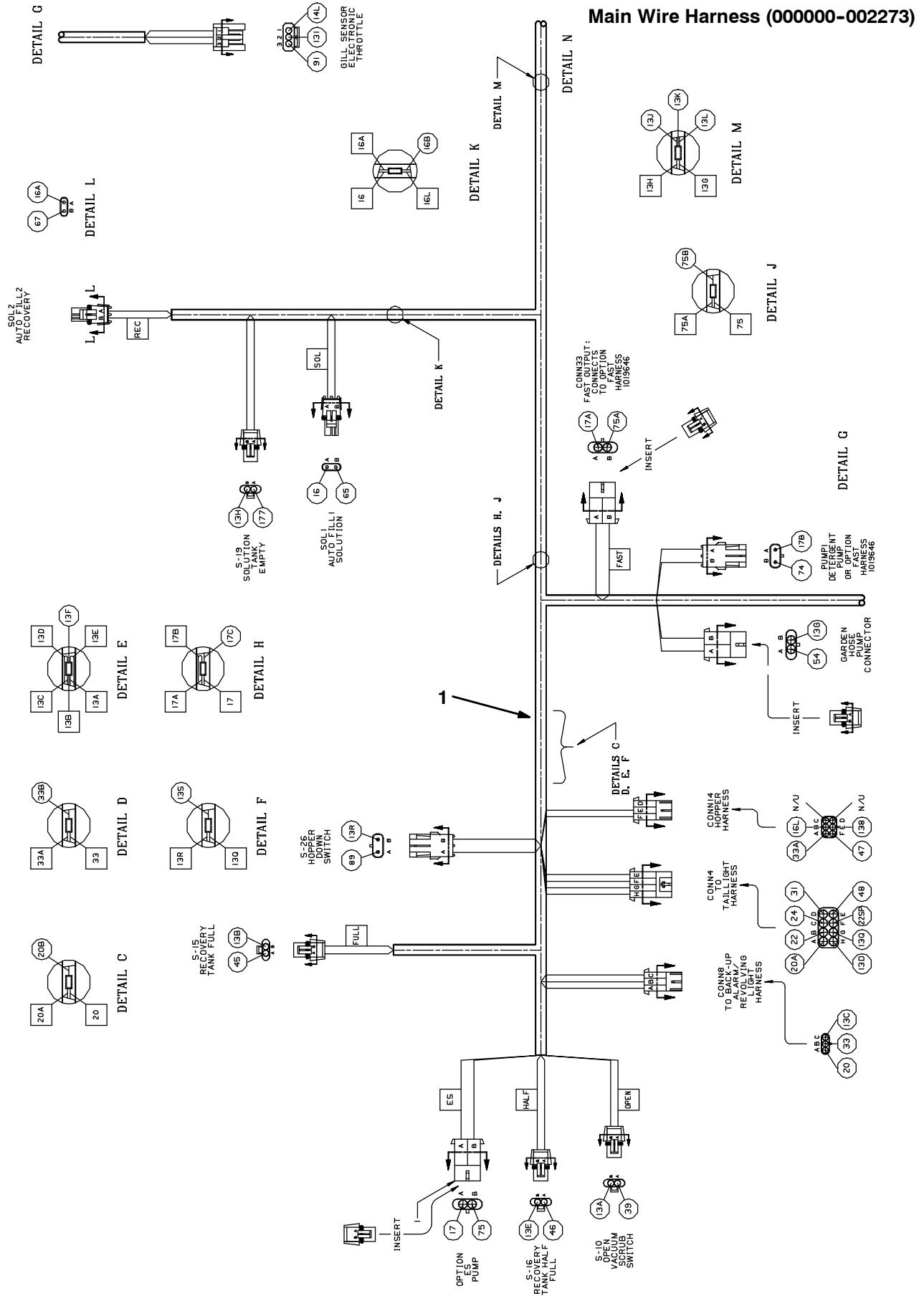


Fig. 73 - Electrical Wire Harness Group

Main Wire Harness (000000-002273)

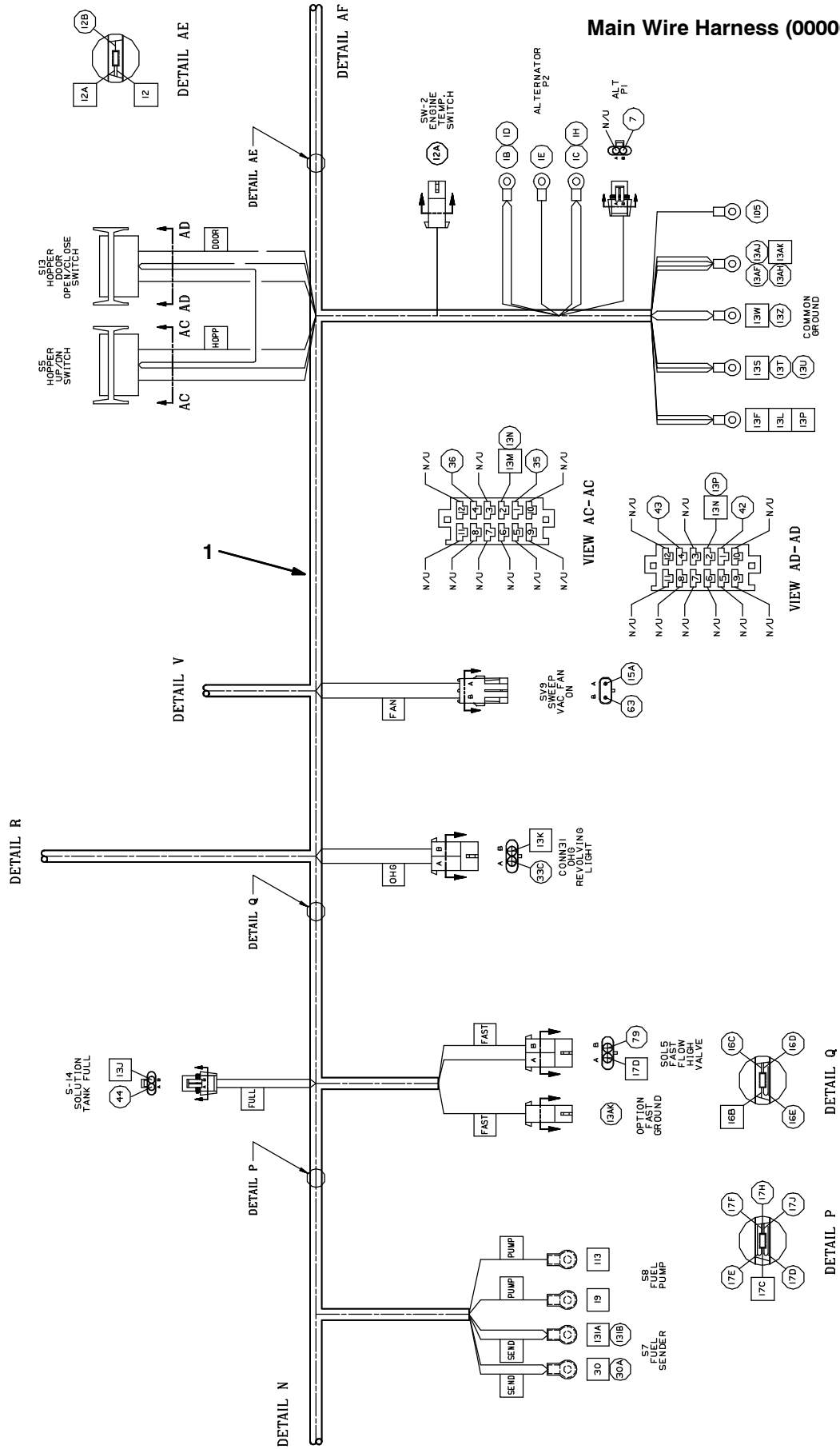


Fig. 73 - Electrical Wire Harnesses Group

Main Wire Harness (000000-002273)

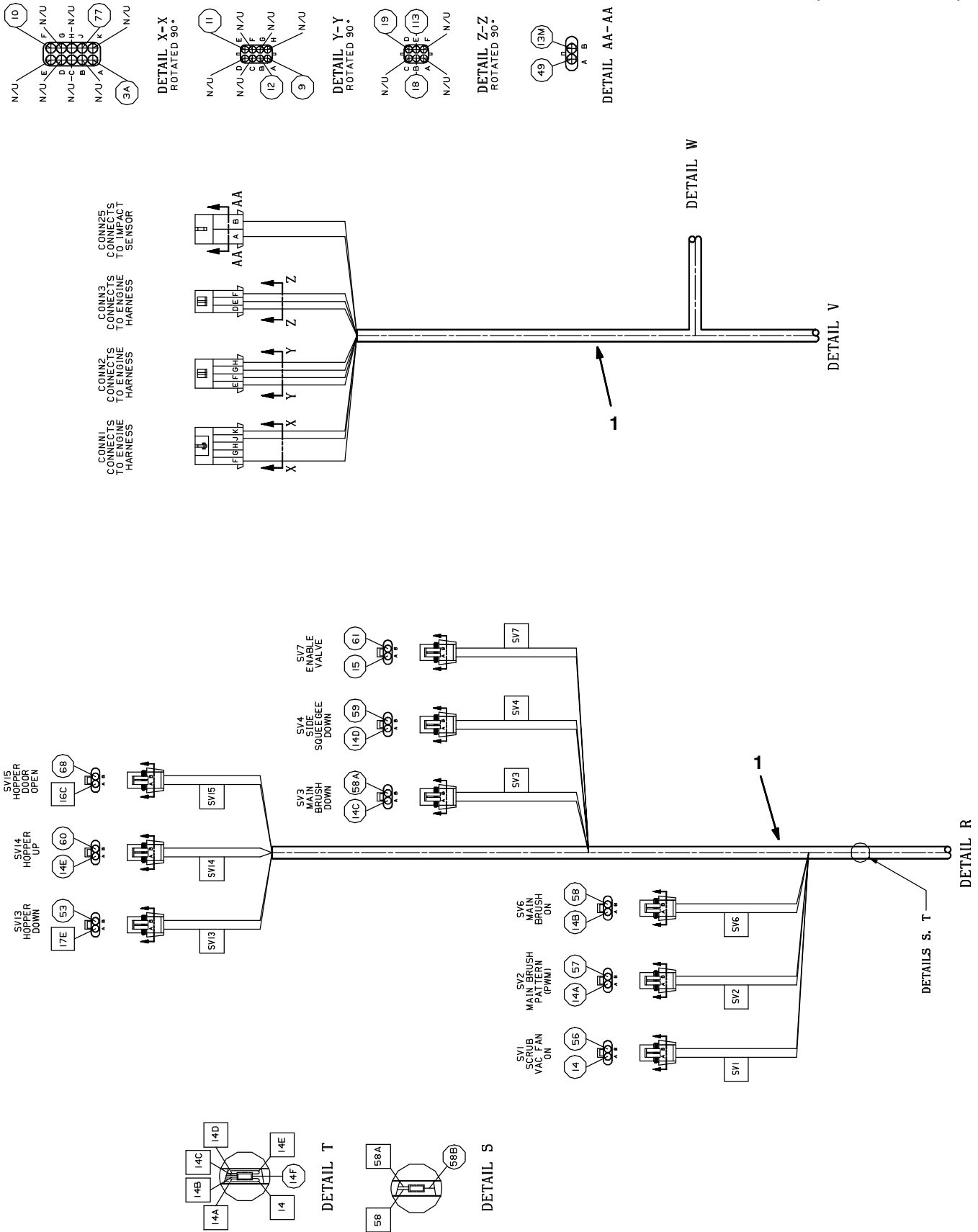


Fig. 73 - Electrical Wire Harnesses Group

Main Wire Harness (000000-002273)

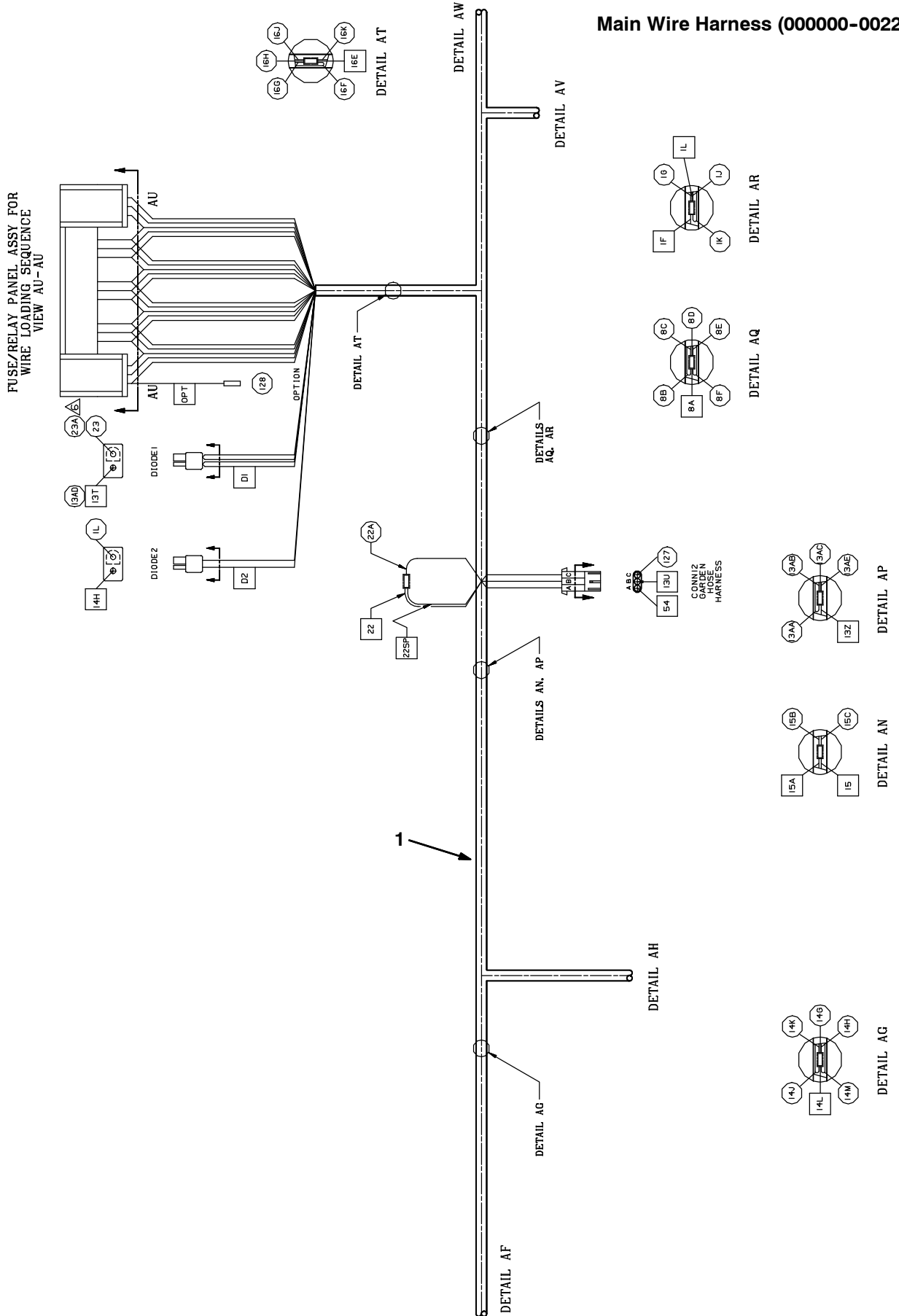


Fig. 73 - Electrical Wire Harness Group

Main Wire Harness (000000-002273)

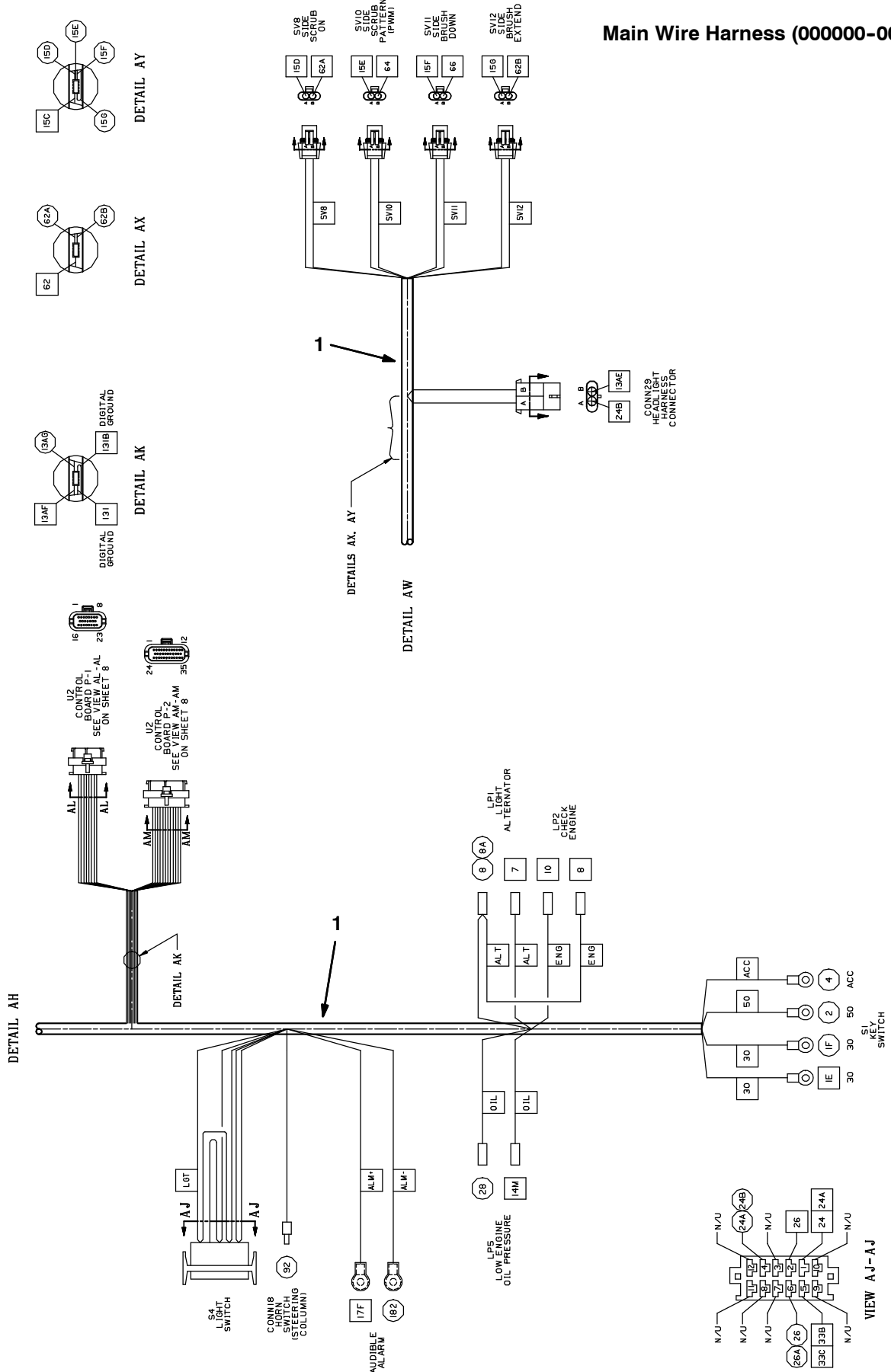


Fig. 73 - Electrical Wire Harness Group

Main Wire Harness (000000-002273)

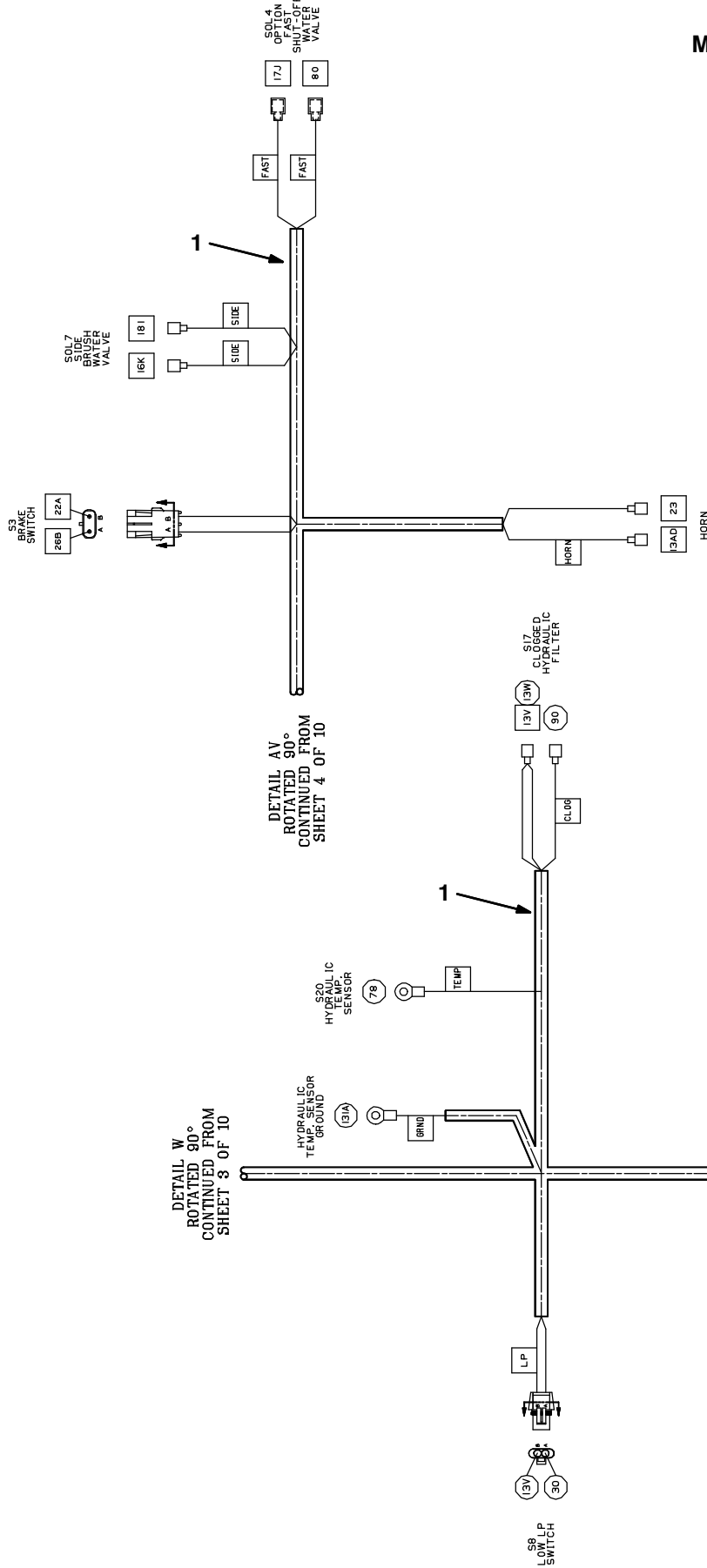
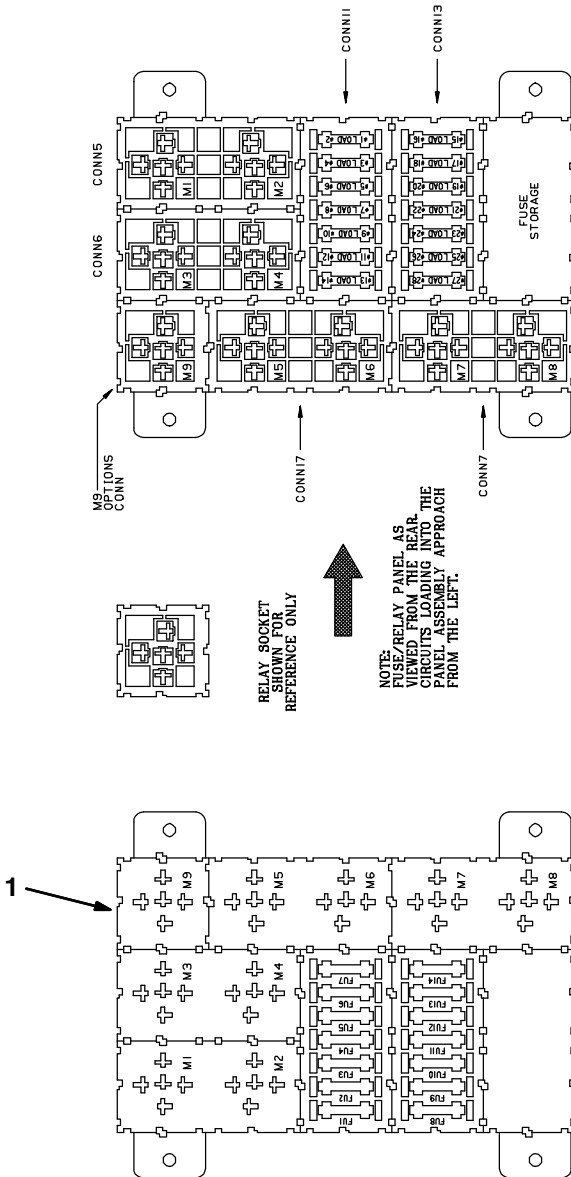
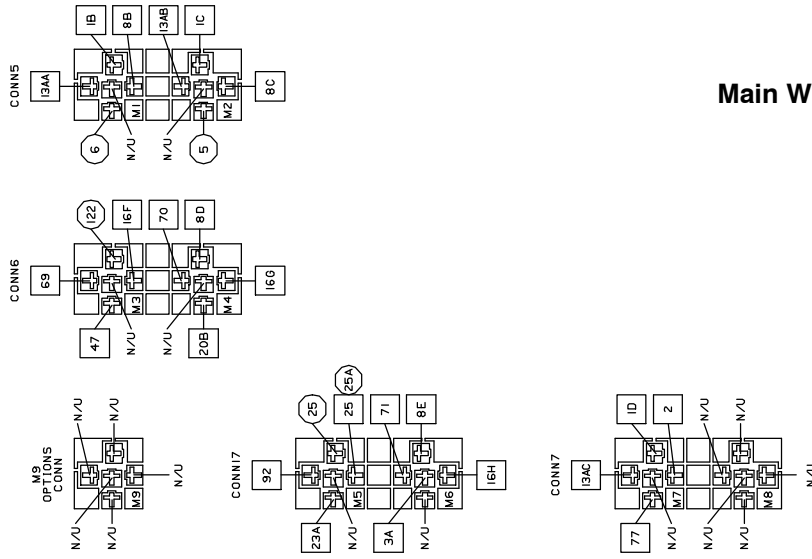


Fig. 73 - Electrical Wire Harnesses Group

Main Wire Harness (00000-002273)



VIEW AU-AU

FUSE/RELAY PANEL AS VIEWED FROM THE FRONT FOR RELAYS SILK SCREENING POSITIONING.

FUSE PANEL ASSEMBLY WIRING			
CONN11 PIN POSITION	CONN11 TERMINAL LOADING BOTTOM HALF	CONN11 PIN POSITION	CONN11 TERMINAL LOADING TOP HALF
FUSE 1	<input type="checkbox"/> 4 & O4A	2	<input type="checkbox"/> 8F
FUSE 2	<input type="checkbox"/> 1G	4	<input type="checkbox"/> 122
FUSE 3	<input type="checkbox"/> 1H	6	<input type="checkbox"/> 25A
FUSE 4	<input checked="" type="checkbox"/> N/U	8	<input checked="" type="checkbox"/> N/U
FUSE 5	<input checked="" type="checkbox"/> 6 & O6A	10	<input type="checkbox"/> 14F & <input type="checkbox"/> 14G
FUSE 6	<input type="checkbox"/> 6A	12	<input type="checkbox"/> 15B
FUSE 7	<input type="checkbox"/> 5 & O5A	14	<input type="checkbox"/> 16J
CONN13 PIN POSITION	CONN13 TERMINAL LOADING BOTTOM HALF	CONN13 PIN POSITION	CONN13 TERMINAL LOADING TOP HALF
FUSE 8	<input type="checkbox"/> 5A	16	<input type="checkbox"/> 17H
FUSE 9	<input type="checkbox"/> 4A & O4C	18	<input type="checkbox"/> 26A & O26B
FUSE 10	<input type="checkbox"/> 1J	20	<input type="checkbox"/> 128
FUSE 11	<input type="checkbox"/> 2J	22	<input type="checkbox"/> 127
FUSE 12	<input checked="" type="checkbox"/> 4C	24	<input checked="" type="checkbox"/> N/U
FUSE 13	<input checked="" type="checkbox"/> N/U	26	<input checked="" type="checkbox"/> N/U
FUSE 14	<input checked="" type="checkbox"/> N/U	28	<input checked="" type="checkbox"/> N/U

Fig. 73 - Electrical Wire Harnesses Group

Main Wire Harness (002274-)

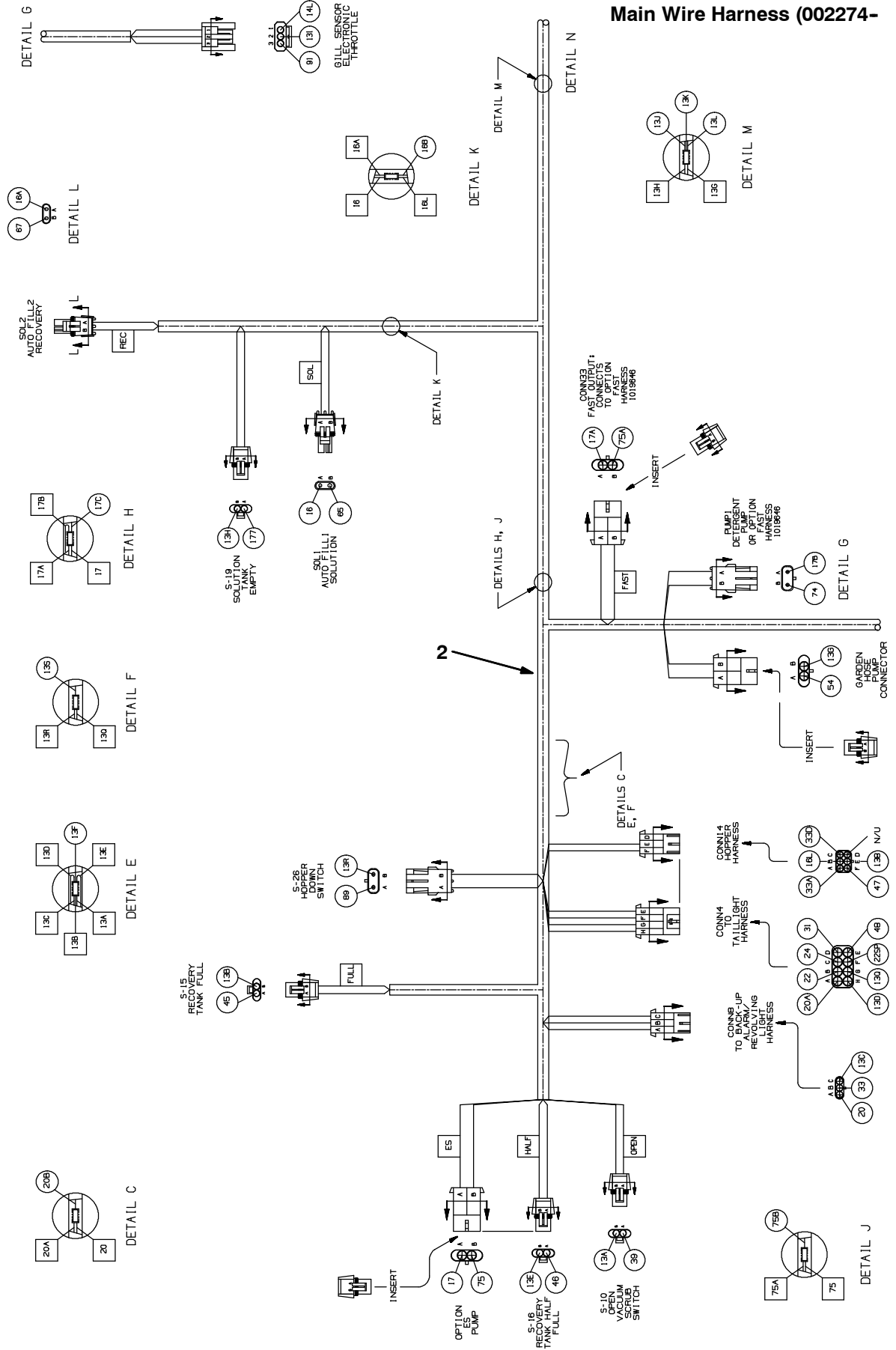


Fig. 73 - Electrical Wire Harnesses Group

Main Wire Harness (002274-)

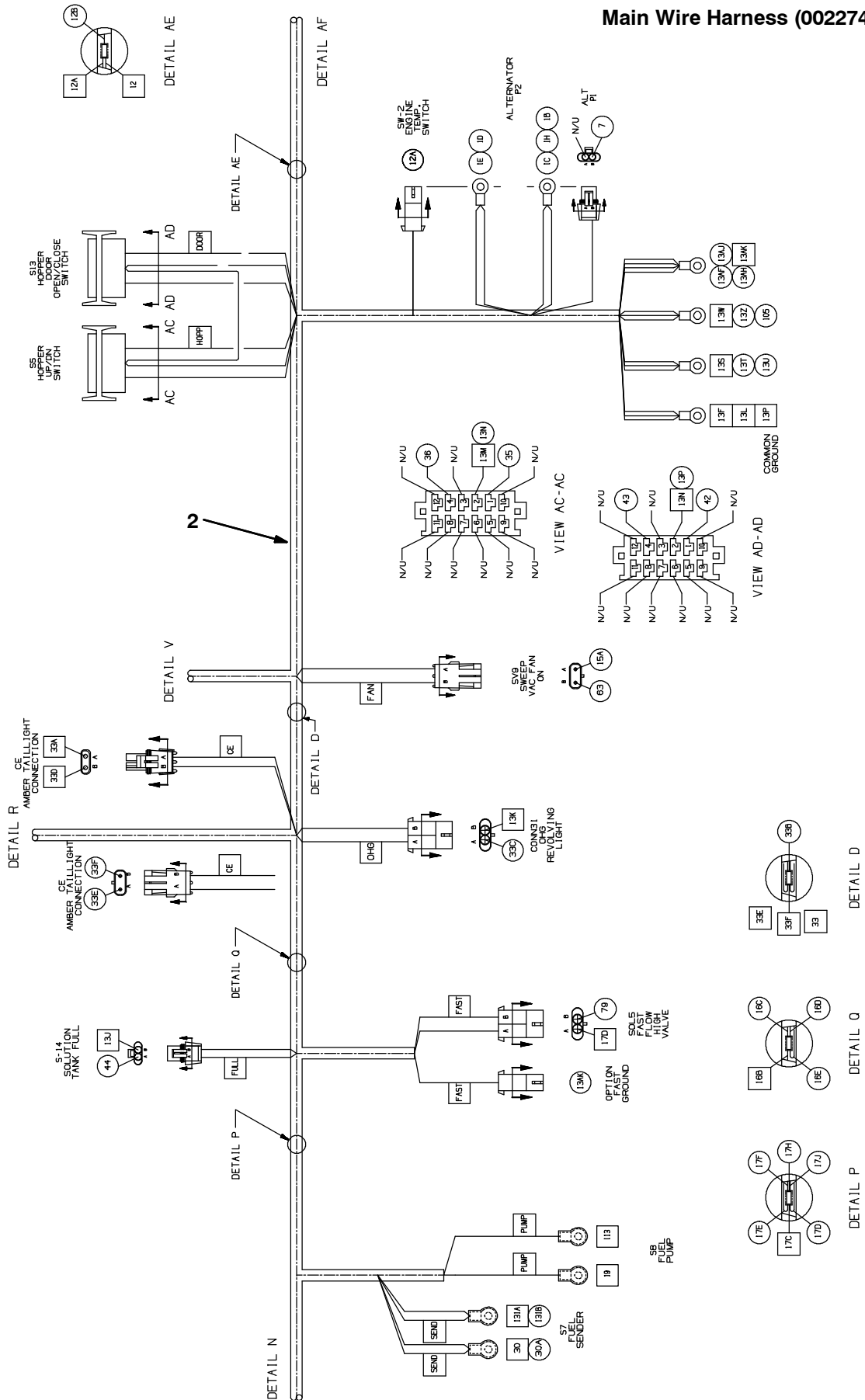


Fig. 73 - Electrical Wire Harnesses Group

Main Wire Harness (002274-)

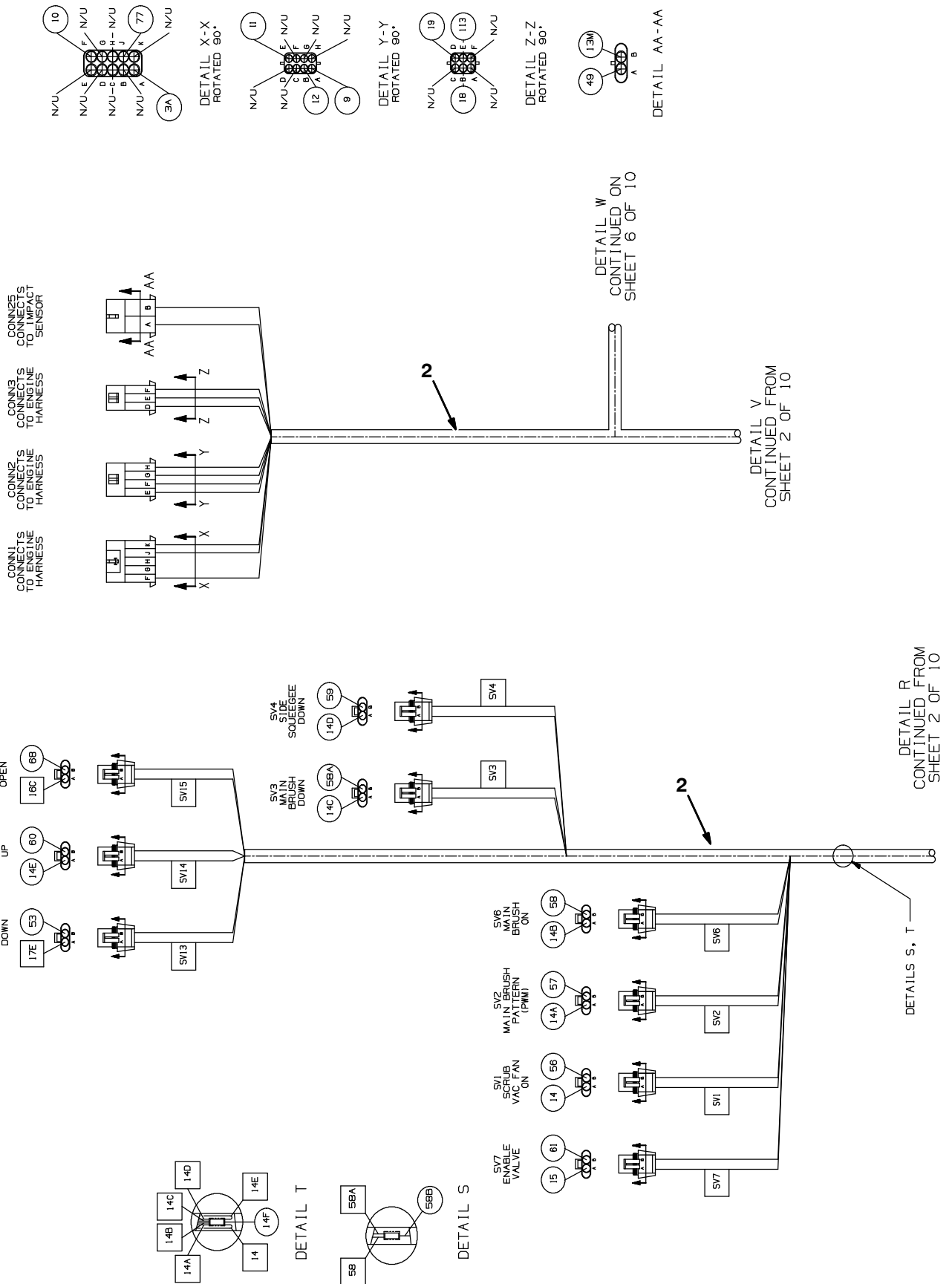


Fig. 73 - Electrical Wire Harnesses Group

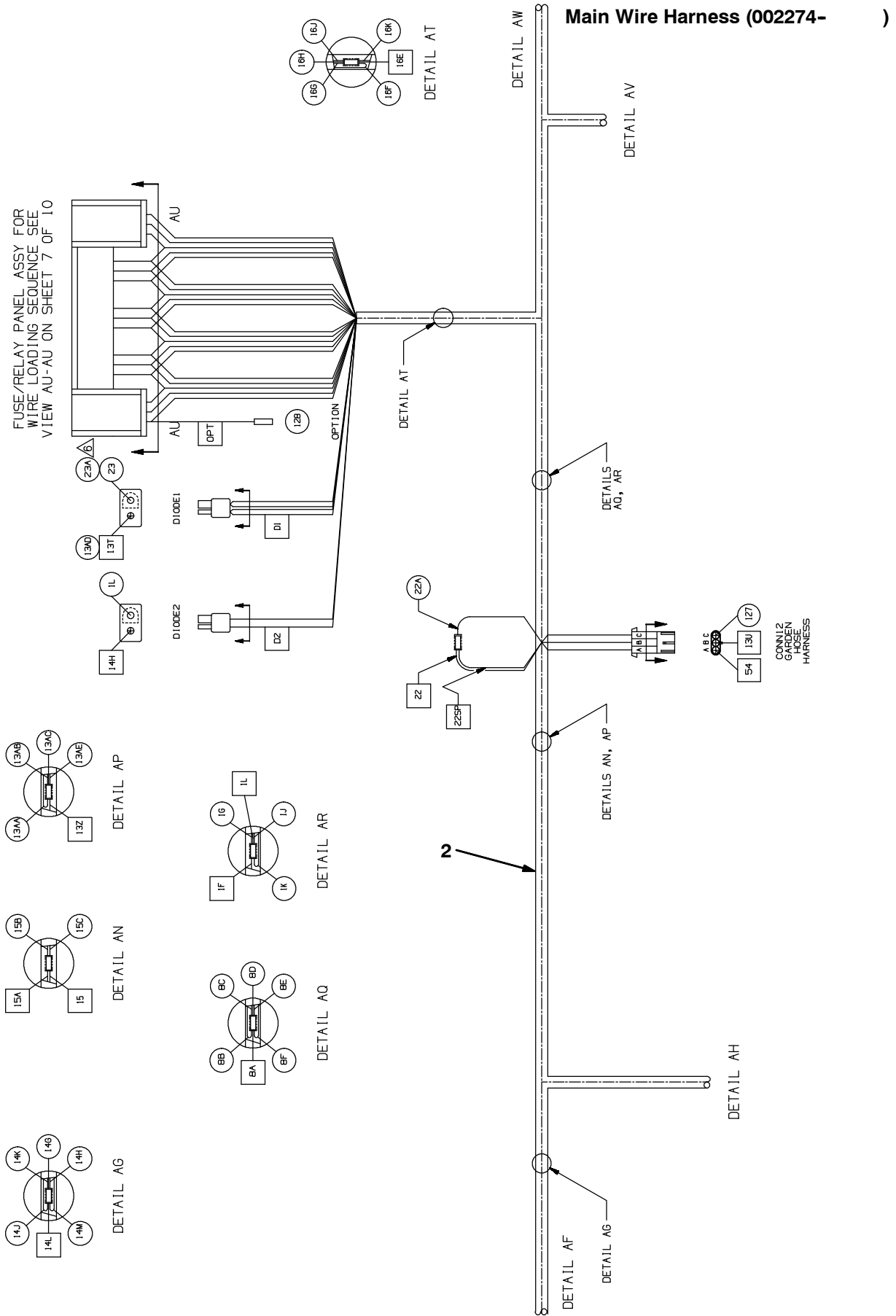


Fig. 73 - Electrical Wire Harnesses Group

Main Wire Harness (002274-)

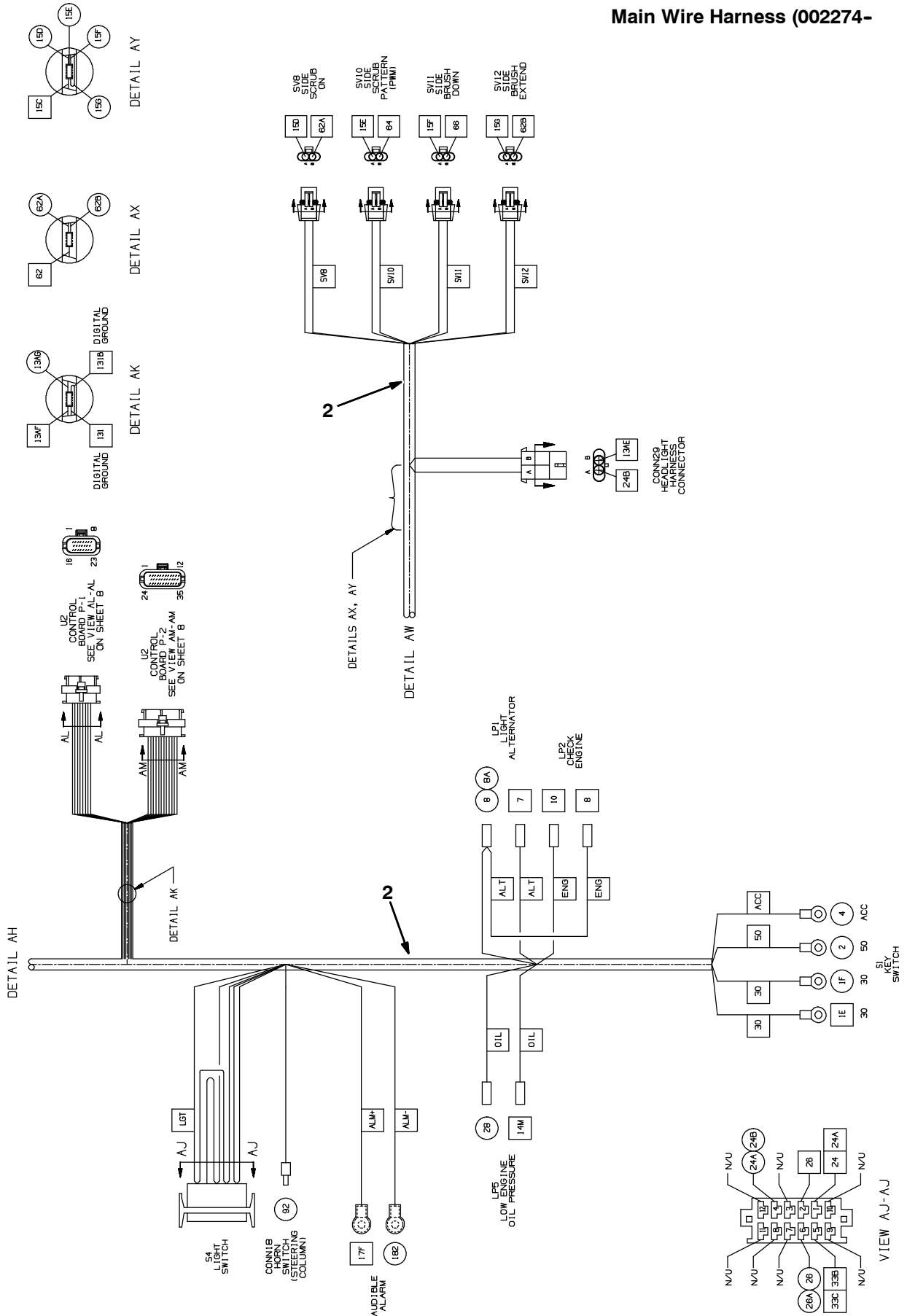


Fig. 73 - Electrical Wire Harness Group

Main Wire Harness (002274-)

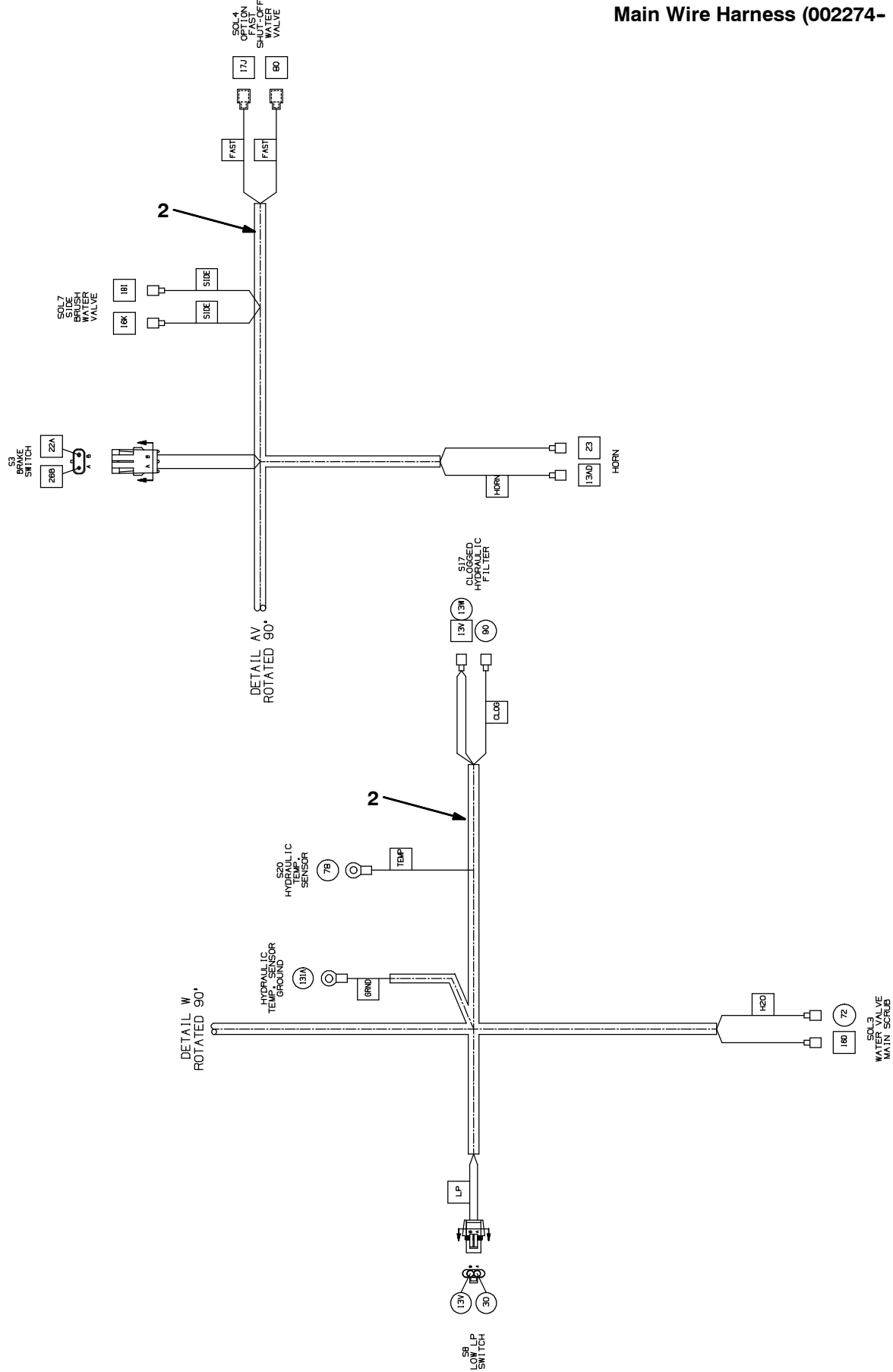
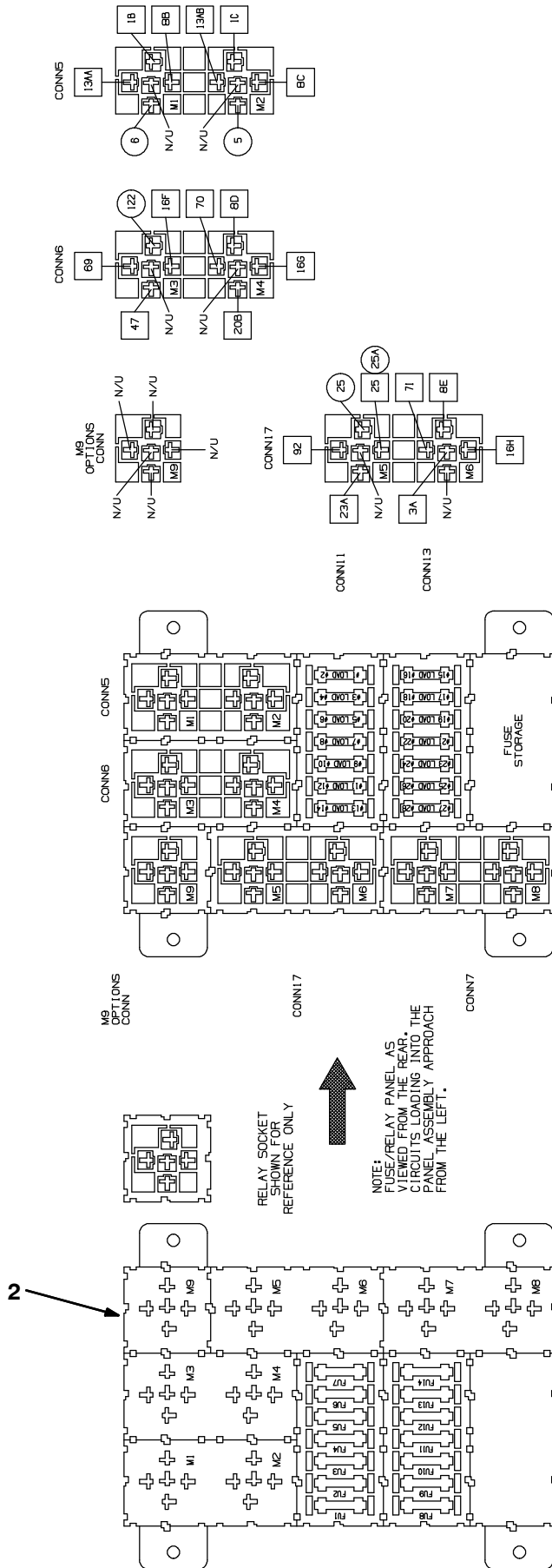


Fig. 73 - Electrical Wire Harnesses Group

Main Wire Harness (002274-)



VIEW AU-AU — CONTINUED FROM SHEET 4 OF 10

FUSE PANEL ASSEMBLY WIRING			
CONN11 PIN POSITION	CONN11 TERMINAL LOADING BOTTOM HALF	CONN11 PIN POSITION	CONN11 TERMINAL LOADING TOP HALF
FUSE 1	1	2	BF
FUSE 2	3	4	I22
FUSE 3	5	6	25A
FUSE 4	7	8	X N/U
FUSE 5	9	10	14F & 14G
FUSE 6	11	12	15B
FUSE 7	13	14	16J
	CONN13 PIN POSITION	CONN13 PIN POSITION	CONN13 TERMINAL LOADING TOP HALF
FUSE 8	15	16	17H
FUSE 9	17	18	26A & 26B
FUSE 10	19	20	81
FUSE 11	21	22	12B
FUSE 12	23	24	127
FUSE 13	25	26	X N/U
FUSE 14	27	28	X N/U

Fig. 73 - Electrical Wire Harnesses Group

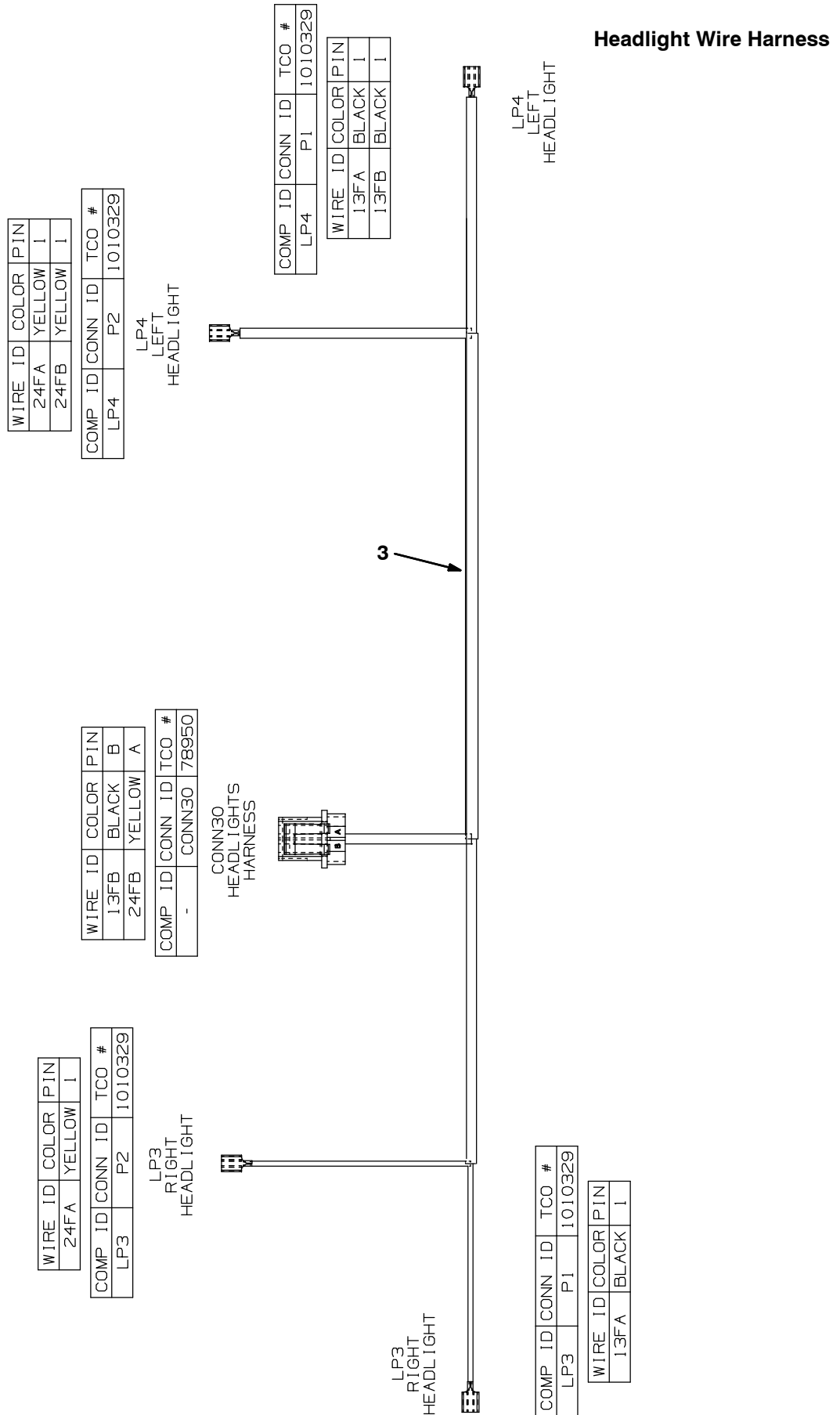


Fig. 73 - Electrical Wire Harness Group

Hopper Wire Harness (000000-002273)

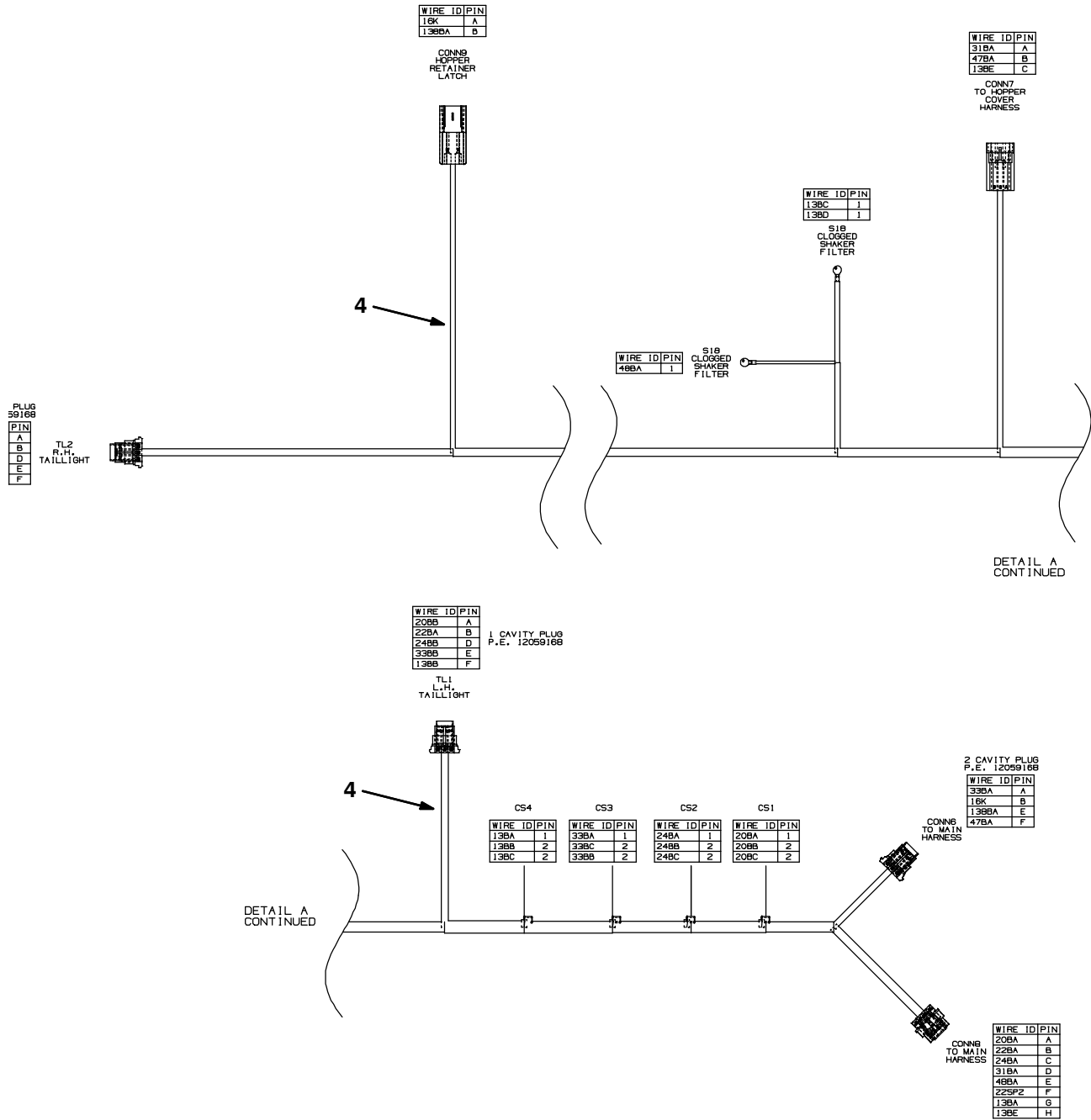


Fig. 73 - Electrical Wire Harnesses Group

Hopper Wire Harness (002274-)

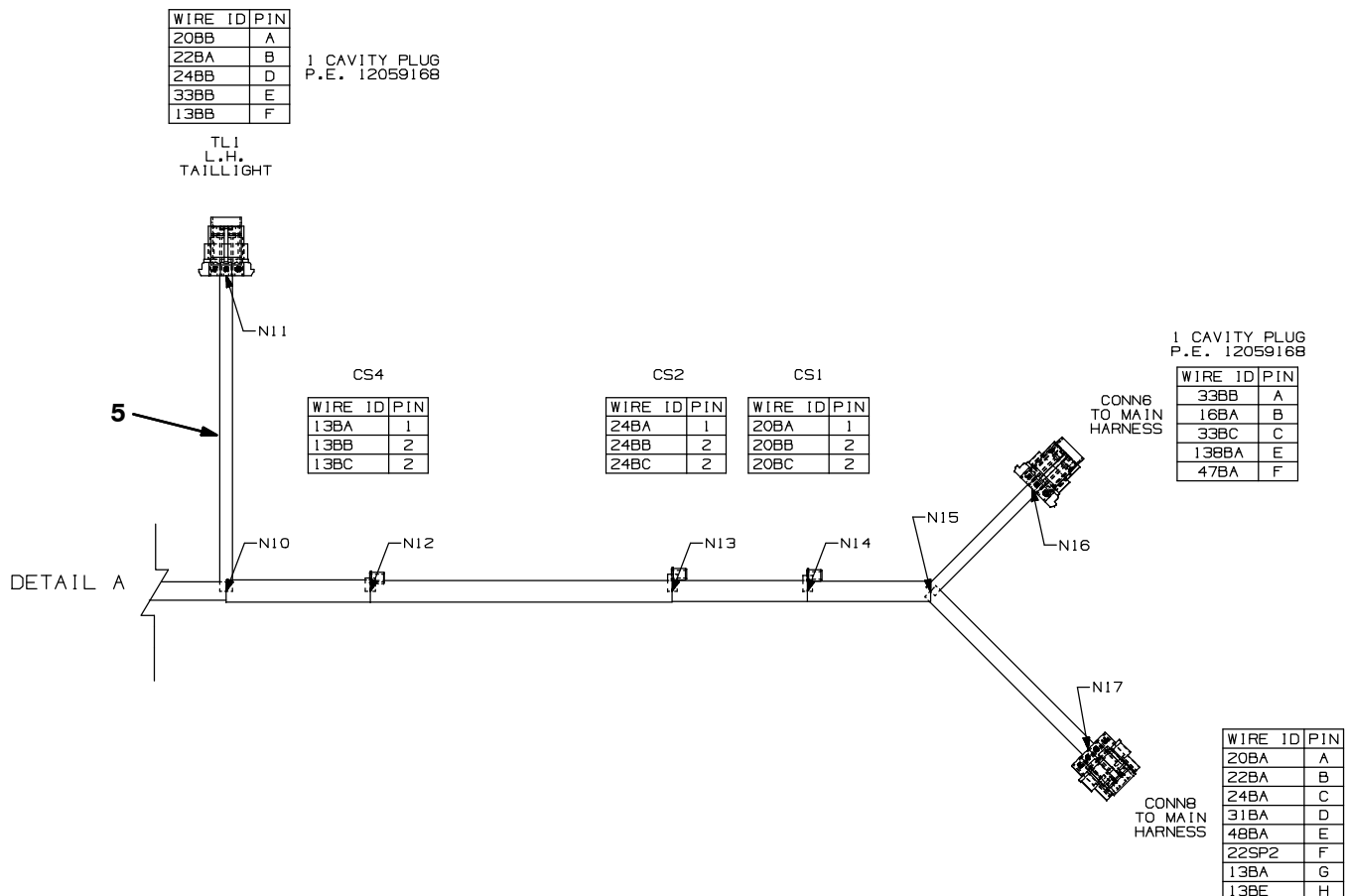
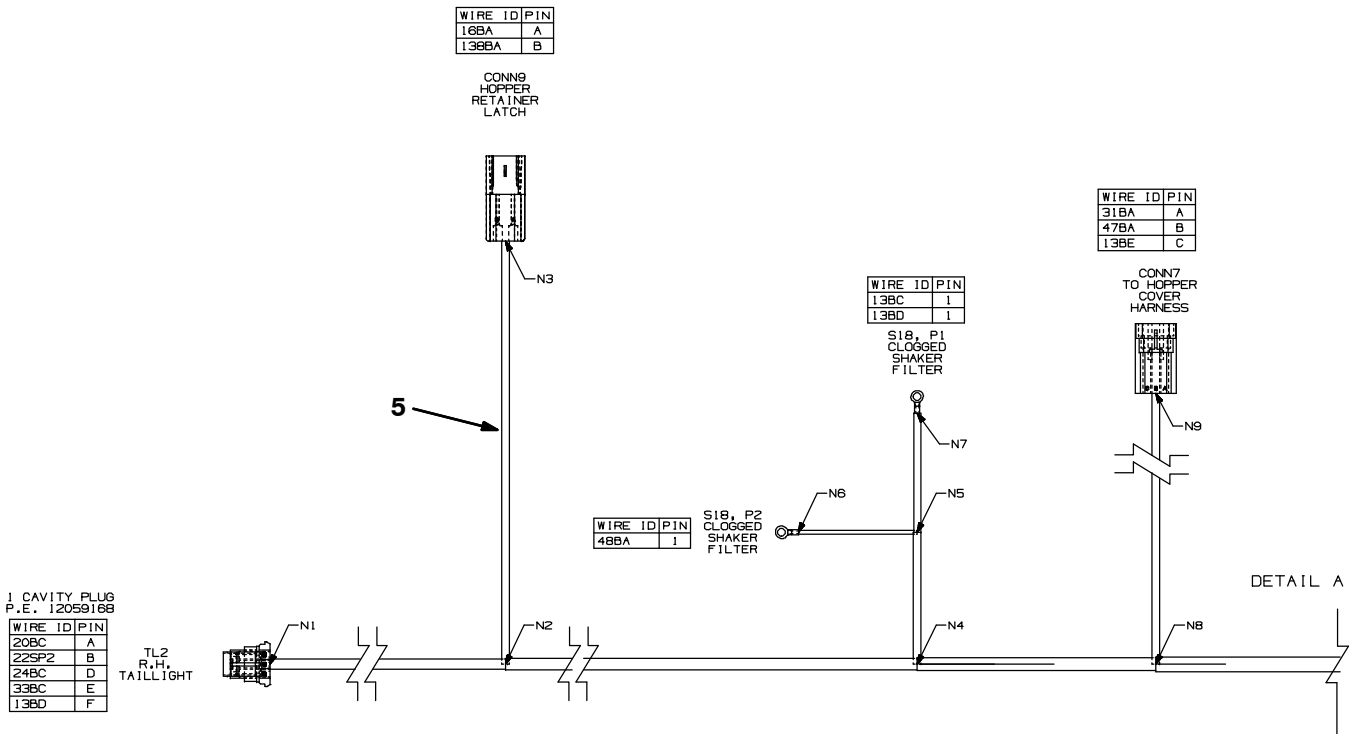


Fig. 73 - Electrical Wire Harnesses Group

Hopper Cover Wire Harness

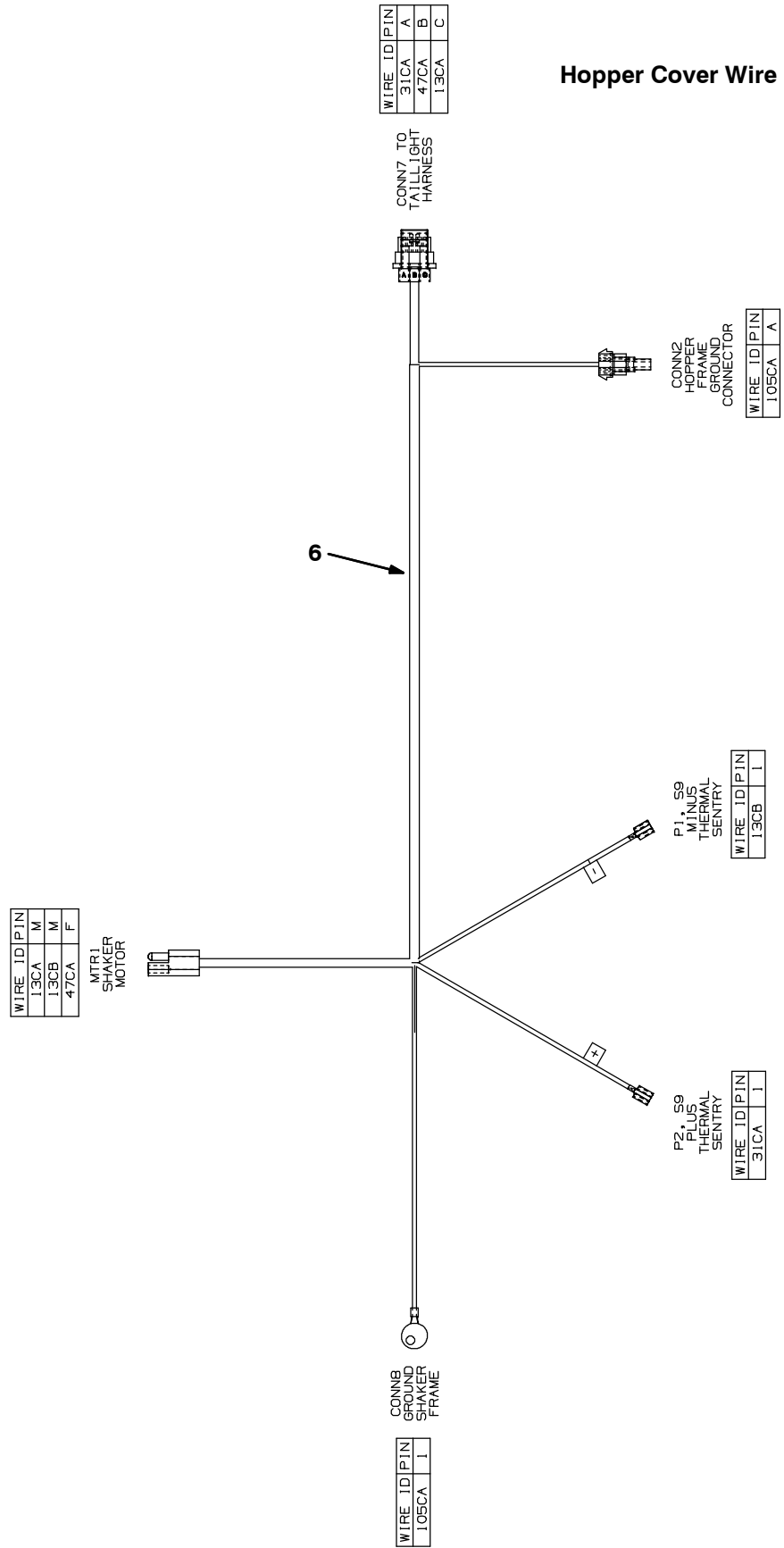


Fig. 73 - Electrical Wire Harnesses Group

Gasoline/LPG Engine Harness
(000000-001999)

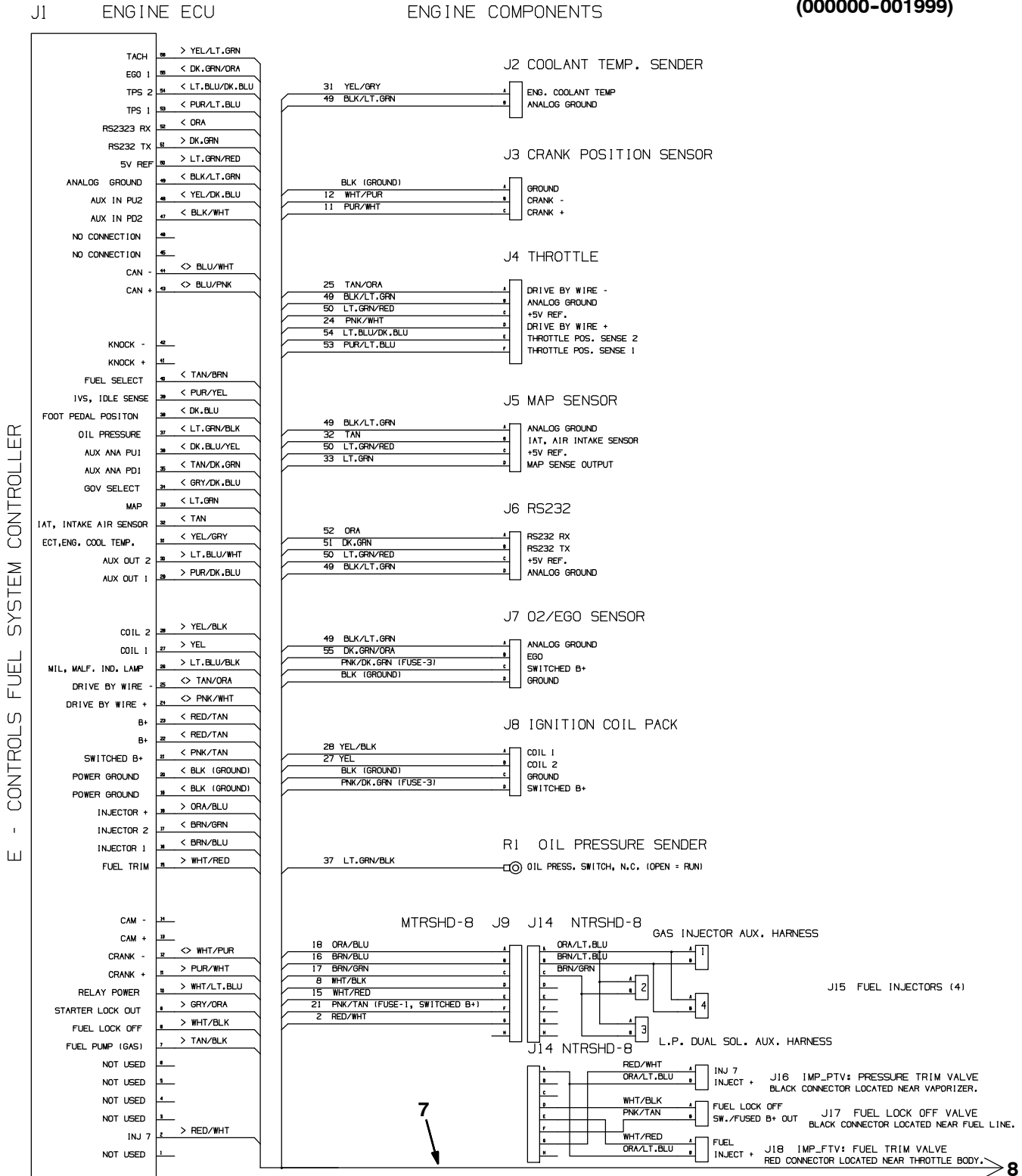
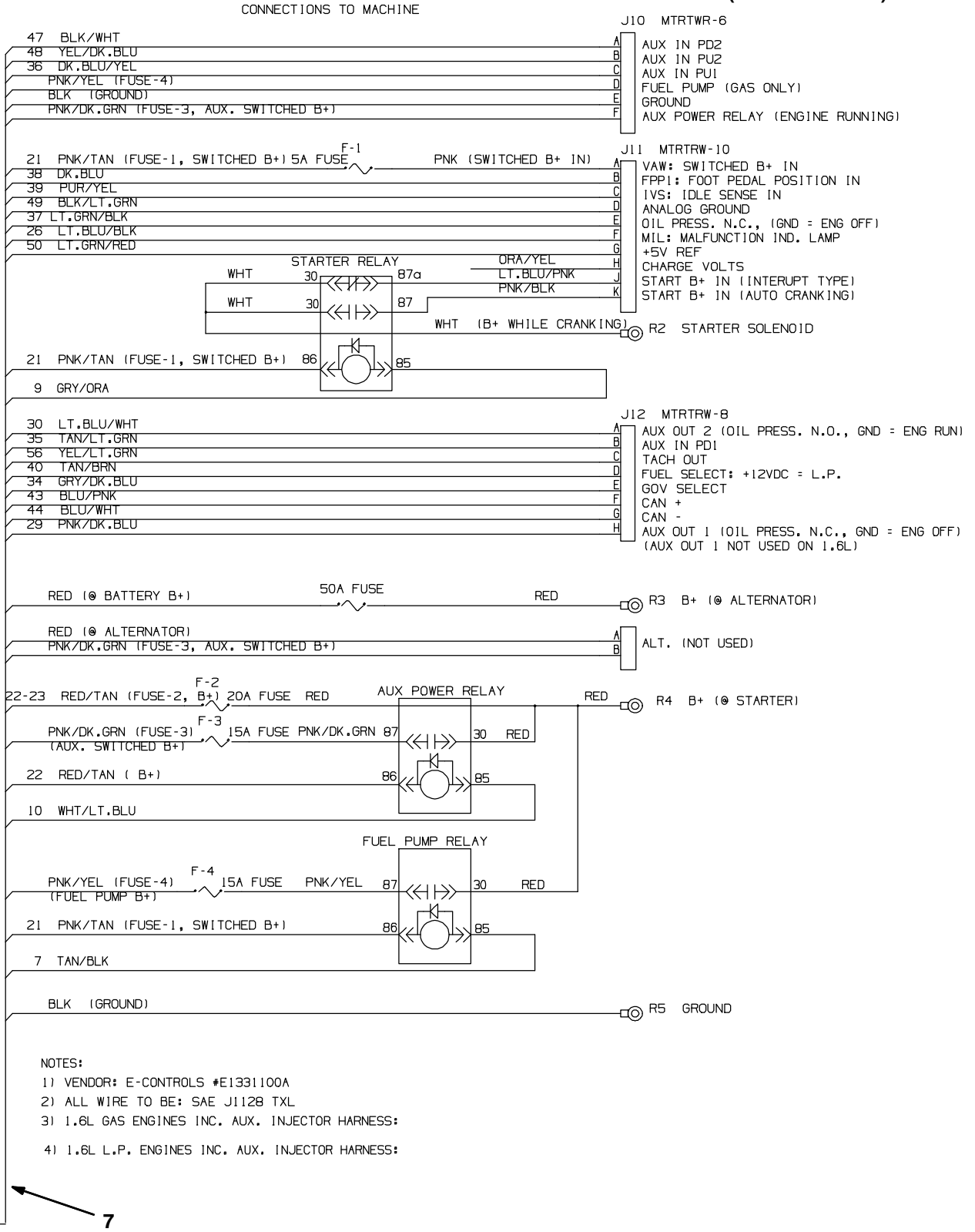


Fig. 73 - Electrical Wire Harness Group

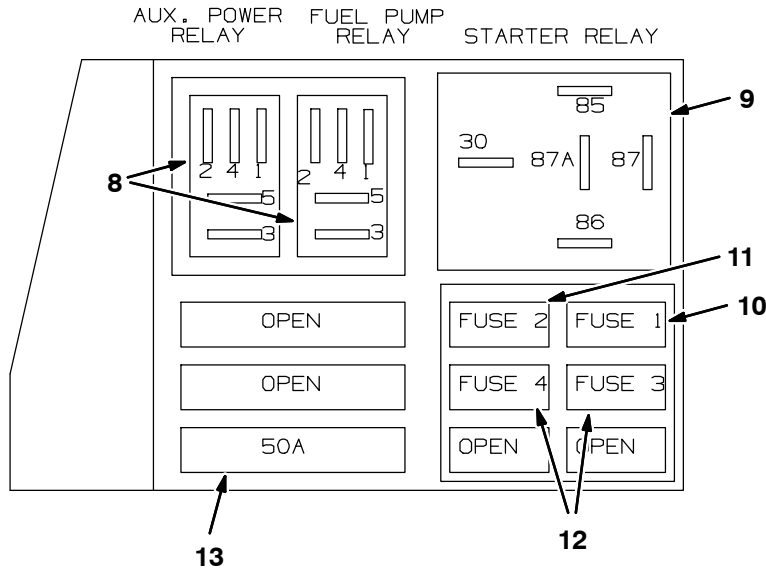
Gasoline/LPG Engine Harness
(000000-001999)



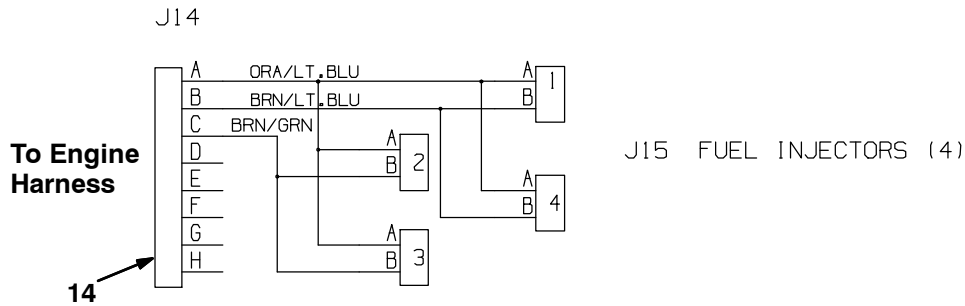
1018547

Fig. 73 - Electrical Wire Harnesses Group

**Gasoline/LPG Engine Harness
(000000-001999)**



GAS INJECTOR AUX. HARNESS: E-CONT.



L.P. DUAL SOL. AUX. HARNESS: E-CONT.

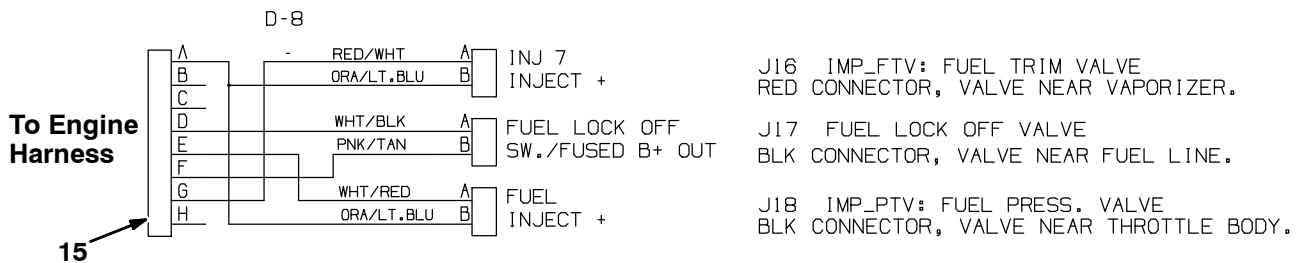


Fig. 73 - Electrical Wire Harnesses Group

**Gasoline/LPG Engine Harness
(002000-)**

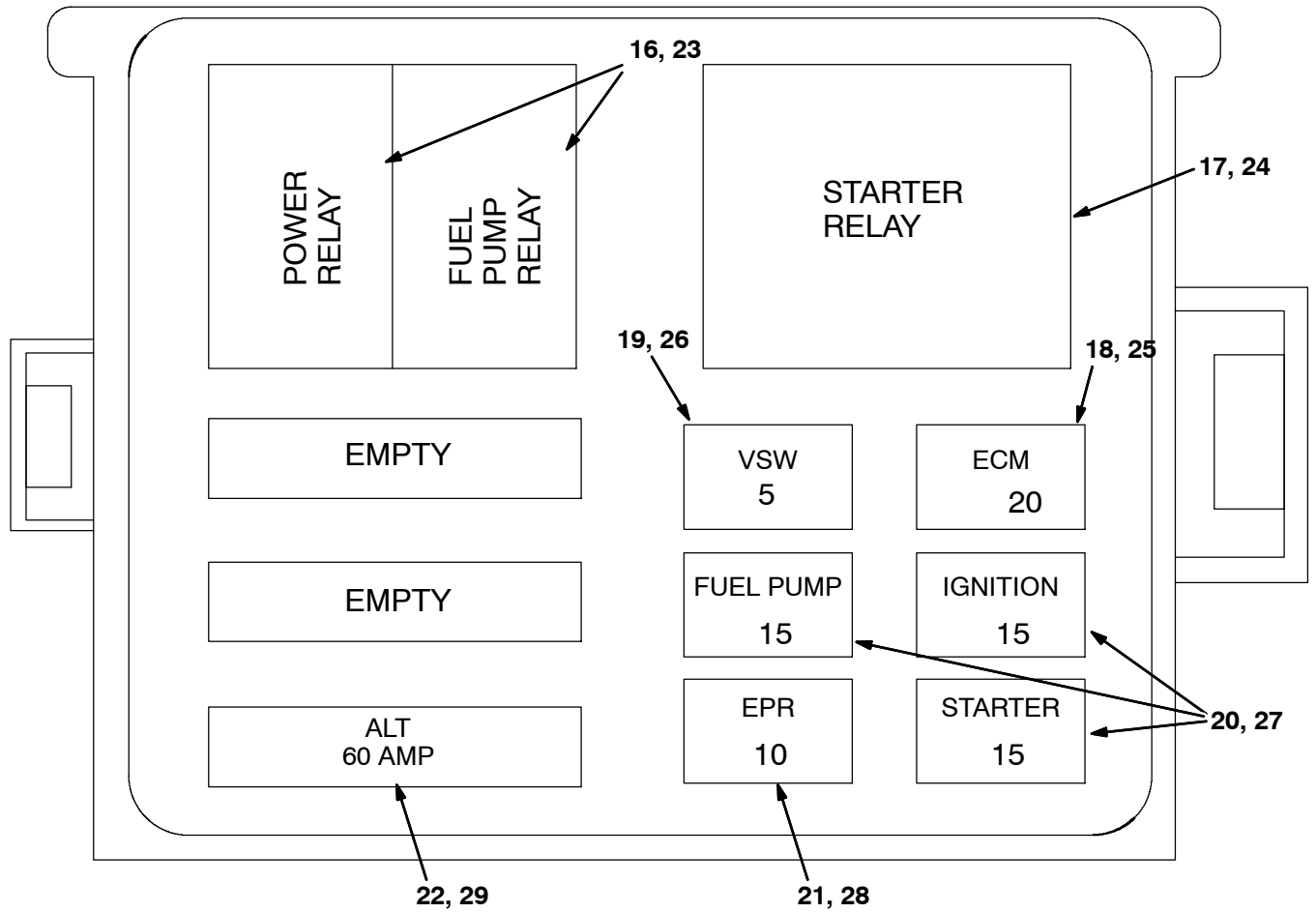


Fig. 73 - Electrical Wire Harness Group

Gasoline/LPG Engine Adapter Harness (002000-)

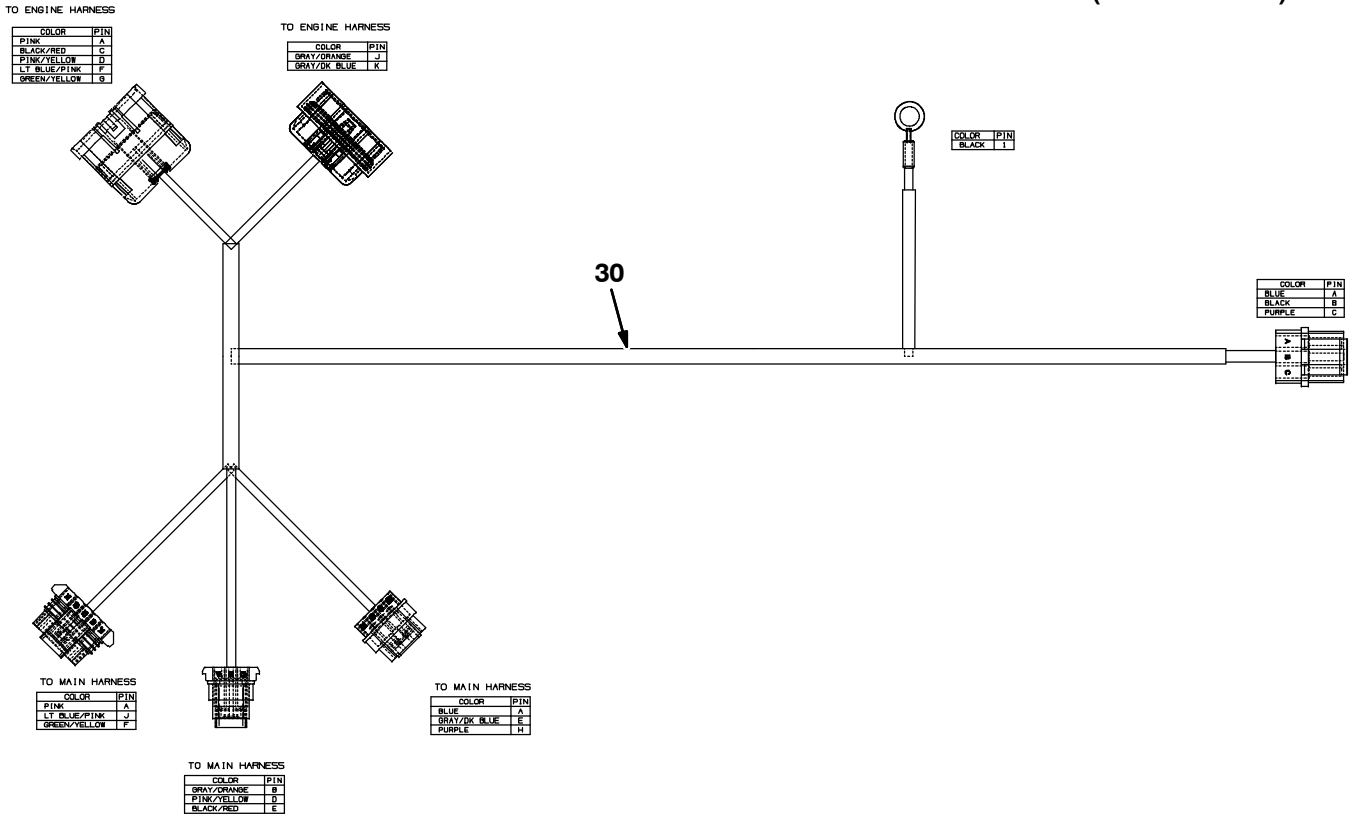


Fig. 73 - Electrical Wire Harnesses Group

Ref.	Part No.	Serial Number	Description	Qty.	
1	1018549	(000000-002273)	Harness, Main [M20]	1	
2	1040620	(002274-) Harness, Main [M20]	1	
3	1024141	(000000-) Harness, Headlight [M20 And T20]	1	
4	1019630	(000000-002273)	Harness, Hppr [M20]	1	
5	1033624	(002274-) Harness, Hppr [M20/M30]	1	
6	1019950	(000000-) Harness, Hppr, Cover [M20]	1	
▽	7	1011018	(000000-001999)	Harness, Eng [1.6l, Gm, E-cntrl]	1
▲	8	394916	(000000-001999)	Relay, 12vdc, 20a, Spdt	2
▲	9	57804	(000000-001999)	Relay, 12vdc, 40a, Spdt	1
▲	10	372235	(000000-001999)	Fuse, 5 Amp, [Min-5]	1
▲	11	372237	(000000-001999)	Fuse, 20 Amp, [Min-20]	1
▲	12	372236	(000000-001999)	Fuse, 15 Amp, [Min-15]	2
▲	13	394921	(000000-001999)	Fuse, 50amp	1
	14	1011019	(000000-001999)	Harness, Injector, Gas [1.6l,Gm,E-cntrl]	1
	15	1011020	(000000-001999)	Harness, Injector, Lpg [1.6l,Gm,E-cntrl]	1
▽		384997	(002000-) Harness, Wire, Eng, Gas [Gm 1.6L]	1
▲	16	394916	(002000-) Relay, 12vdc, 20a, Spdt	2
▲	17	57804	(002000-) Relay, 12vdc, 40a, Spdt	1
▲	18	372237	(002000-) Fuse, 20 Amp, [Min-20]	1
▲	19	372235	(002000-) Fuse, 5 Amp, [Min-5]	1
▲	20	372236	(002000-) Fuse, 15 Amp, [Min-15]	2
▲	21	384999	(002000-) Fuse, 10 Amp	1
▲	22	384998	(002000-) Fuse, 60 Amp	1
▽		384990	(002000-) Harness, Wire, Eng, Lpg [Gm 1.6l]	1
▲	23	394916	(002000-) Relay, 12vdc, 20a, Spdt	2
▲	24	57804	(002000-) Relay, 12vdc, 40a, Spdt	1
▲	25	372237	(002000-) Fuse, 20 Amp, [Min-20]	1
▲	26	372235	(002000-) Fuse, 5 Amp, [Min-5]	1
▲	27	372236	(002000-) Fuse, 15 Amp, [Min-15]	2
▲	28	384999	(002000-) Fuse, 10 Amp	1
▲	29	384998	(002000-) Fuse, 60 Amp	1
	30	1032216	(002000-) Harness, Adapter, Eng [2007]	1

Fig. 74 - Label Group

1 (Warning: Machine emits toxic gases, Serious injury or death can result. Provide adequate ventilation. / La machine produit des gaz toxiques. Cas gaz peuvent provoquer des blessures ou la mort. Veillez à ce que l'endroit soit bien aéré. / La máquina emite gases tóxicos. Pueden provocar lesiones graves o fatales. Asegúrese de que existe suficiente ventilación.)

2 (Warning: Strong vacuum. Keep away from fan inlet when fan is running. / Potente aspiración. Manténgase alejado de la entrada del ventilador cuando esté funcionando.)

3 (Logo: ES)

4 (Logo: FaST Foam Scrubbing Technology)

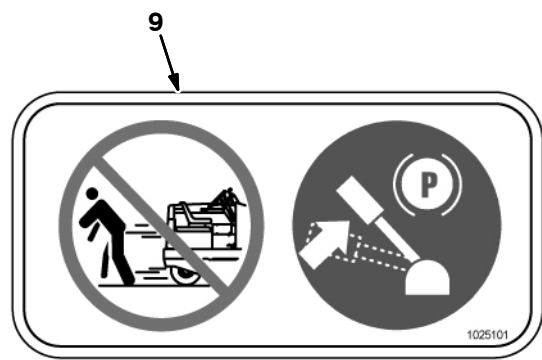
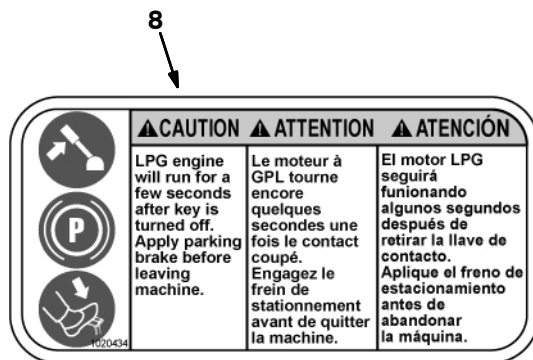
5 (Logo: NFSI CERTIFIED)

6 (Diagram of a spray gun assembly)

Other labels include:

- Flammable materials can cause explosion or fire. Do not use flammable tank.
- Raised hopper may fall. Engage hopper support pin.
- En position relevée, le bac à déchets peut retomber. Engagez la broche du support de bac à déchets.
- La caja colectorá elevada puede caer. Coloque el pasador de apoyo de la caja colectorá.
- Flammable materials or reactive metals can cause explosion or fire. Do not pick up.
- Les matériaux inflammables ou les métaux réactifs peuvent causer une explosion ou un incendie. Ne les ramassez pas.
- Los materiales inflamables o metales reactivos pueden causar explosiones o incendios. No los recoja.
- Moving belt and fan. Keep away.
- La courroie et le ventilateur sont en mouvement. Ne vous approchez pas.
- Correa y ventilador en movimiento. Manténgase alejado.
- Read manual before operating machine. / POUR VOTRE SECURITE / PARA SEGURIDAD
- Los manuales de operar la máquina.
- Hot surface hazard. Do NOT touch.
- Risque de brûlures. Surface chaude. Ne pas toucher.
- Peligro de quemaduras. Superficie caliente. NO tocar.
- 火傷のおそれあり。表面が熱くなっています。さわらないでください。

Fig. 74 - Label Group



M20 - G/LP

Ref.	Part No.	Serial Number	Description	Qty.
1	77221	(000000-)	Label Set, Info/Hzrd, Swpr / Scrbr	1
2	1017141	(000000-)	Label Set, Hi Temp	1
3	1027353	(000000-)	Label, Off-White, Es (Option)	3
4	1027372	(000000-)	Label, Off-White [Fast] (Option)	3
5	1015012	(000000-)	Label [Nfsi Certification]	1
6	1031017	(000000-)	Label Set, Brush Indicator & Removal	1
7	1032450	(000000-)	Label Set, Info/Hzrd, Swpr / Scrbr, Tj (Japan Only)	1
8	1020434	(000000-)	Label, Caution [Apply Parking Brake]	1
9	1025101	(000000-)	Label, Caution [Apply Parking Brake] (Japan Only)	1

SECTION 3

Contents	Page
Fig. 1 - ES Pump Group	3-2
Fig. 2 - ES Tanks Group	3-4
Fig. 3 - Side Brush Motor Group	3-6
Fig. 4 - Side Brush Lift Group	3-8
Fig. 5 - Side Brush Solution Control Group ...	3-10
Fig. 6 - Side Brush Hydraulic Valve Group ...	3-12
Fig. 7 - Side Brush Hydraulic Hose Group ...	3-14
Fig. 8 - Fast Solution Pump Group (000000-002532)	3-16
Fig. 9 - Fast Air Pump and Detergent Group (000000-002532)	3-18
Fig. 10 - Fast Foam Filter Group (000000-002532)	3-20
Fig. 11 - Fast Foam Filter Group, Side Brush (000000-002532)	3-22
Fig. 12 - Fast Wire Harness Group (000000-002532)	3-24
Fig. 13 - FaST Pumps and Detergent Group (002533-)	3-26
Fig. 14 - FaST Solution Supply Group (002533-)	3-28
Fig. 15 - FaST Solution Supply Group with Side Brush (002533-)	3-30
Fig. 16 - Fast Wire Harness Group (002533-)	3-32
Fig. 17 - Backup Alarm Kit	3-33
Fig. 18 - Light Kit, Flashing	3-34
Fig. 19 - Light Kit, Revolving	3-36
Fig. 20 - Light Kit, Flashing Overhead Guard ..	3-38
Fig. 21 - Light Kit, Revolving Overhead Guard .	3-39
Fig. 22 - Overhead Guard Kit	3-40
Fig. 23 - Vacuum Wand Kit (000000-002406) ..	3-42
Fig. 24 - Vacuum Wand Kit (002407-) ...	3-44
Fig. 25 - Spray Nozzle Kit	3-46
Fig. 26 - Transport Group	3-48
Fig. 27 - Squeegee Guard Kit	3-50
Fig. 28 - Fire Extinguisher Kit	3-52
Fig. 29 - Documentation Group	3-53

Fig. 1 - ES Pump Group

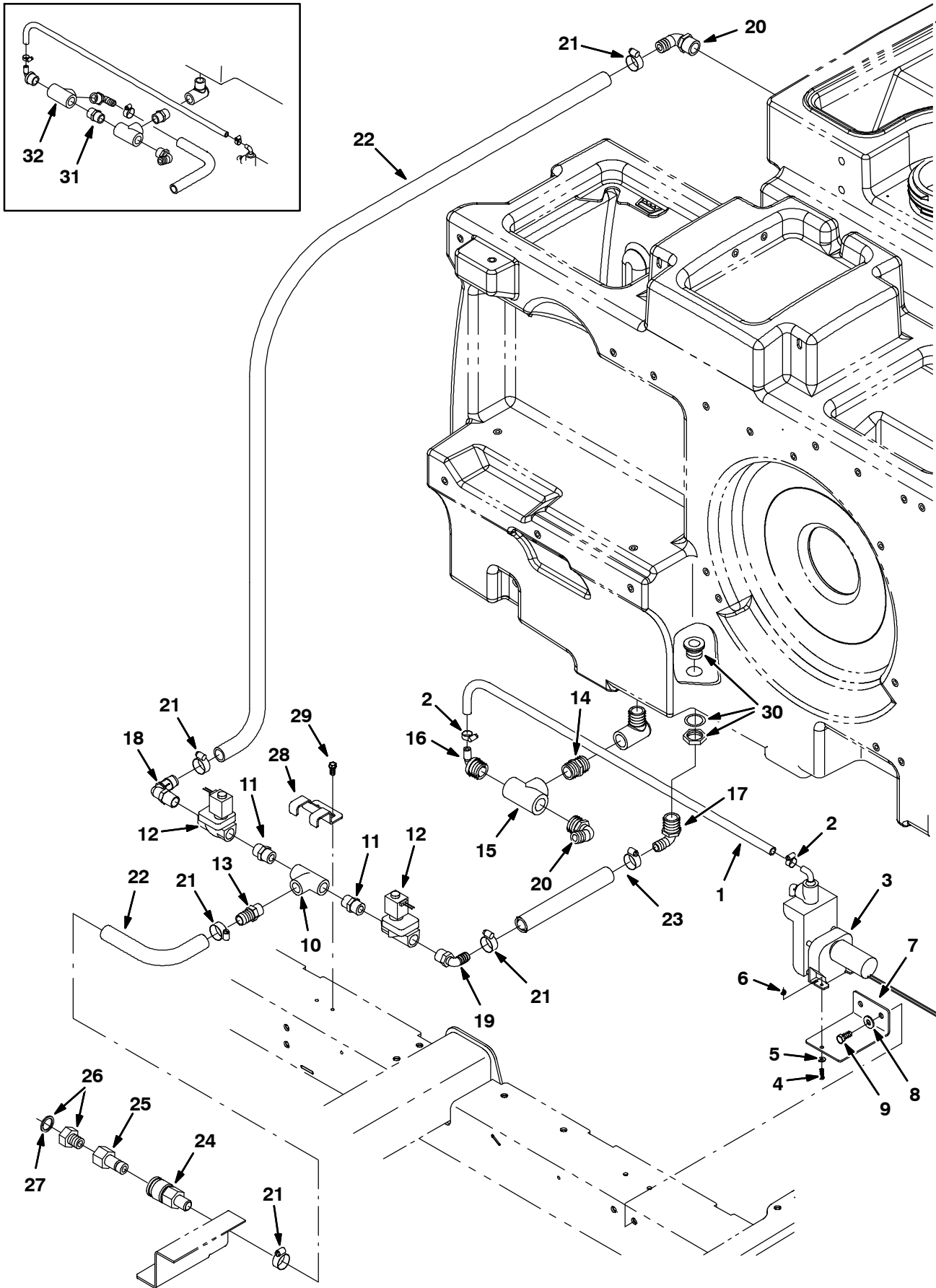


Fig. 1 - ES Pump Group

Ref.	Part No.	Serial Number	Description	Qty.	
1	41295	(000000-) Hose, Pvc, Clr, 0.38id 0.56od 48.00l	1	
2	43844	(000000-) Clamp, Hose, Wormdrive, 0.25-0.62d, .31w	2	
3	73260	(000000-) Pump, Detgt, 14vdc, 150ml/Min 20psi (See Breakdown)	1	
4	24265	(000000-) Screw, Pan, M4 X 0.7 X 16, Ss	2	
5	01683	(000000-) Washer, Flat, #10, Ss	2	
6	33932	(000000-) Nut, Hex, Lock, M4 X 0.7, NI, Ss	2	
7	1021325	(000000-) Bracket, Mtg, Valve	1	
8	01685	(000000-) Washer, Flat, 0.31, Ss	2	
9	09740	(000000-) Screw, Hex, M8 X 1.25 X 20, Ss	2	
10	79497	(000000-) Fitting, Plstc, Tee, Pf08/Pf08/Pf08	1	
11	86508	(000000-) Fitting, Plstc, Str, Pm08/Pm08	2	
12	73433	(000000-) Valve, Water, Solenoid, 12vdc 0.08pf	2	
13	78398	(000000-) Fitting, Plstc, Str, Bm12/Pm08, Nyl	1	
14	24544	(000000-) Fitting, Plstc, Str, Pm12/Pm12 1.60l	1	
15	42133A	(000000-) Fitting, Plstc, Tee, Pf12/Pf12/Pf12	1	
16	79484	(000000-) Fitting, Plstc, E90, Bm06/Pm12, Nyl	1	
17	73468	(000000-) Fitting, Plstc, E90, Bm10/Pm12	1	
18	63244-2	(000000-) Fitting, Plstc, E90, Bm12/Pm08	1	
19	630371	(000000-) Fitting, Plstc, E90, Bm10/Pm08	1	
20	14877	(000000-) Fitting, Plstc, E90, Bm12/Pm12	2	
21	63810	(000000-) Clamp, Hose, Wormdrive, 0.56-1.06d, .56w	6	
22	1015045	(000000-) Hose, Afmkt, Pvc, Brd 0.75id 08ft	1	
23	369811	(000000-) Hose, Pvc, Brd, 0.62id 0.88od 09.00l	1	
24	24105	(000000-) Fitting, Brs, Qdc, Bm12/Qf08	1	
25	33295	(000000-) Fitting, Brs, Qdc, Pf08 [Parker Bh3f]	1	
▽	26	375322	(000000-) Fitting Kit, Hose, Garden	1
▲	27	01316	(000000-) Washer, Flat, 0.66b 1.00d .12, Rbr	1
	28	1016837	(000000-) Bracket, Mtg, Valve	1
	29	361339	(000000-) Screw, Hex, M6 X 1.0 X 16, Fmg	2
	30	377349	(xxxxxx-) Fitting, Plstc, Pf12/Pf12, Bh	1
	31	24544	(000000-xxxxxx)	Fitting, Plstc, Str, Pm12/Pm12 1.60l	1
	32	42133A	(000000-xxxxxx)	Fitting, Plstc, Tee, Pf12/Pf12/Pf12	1

Fig. 2 - ES Tanks Group

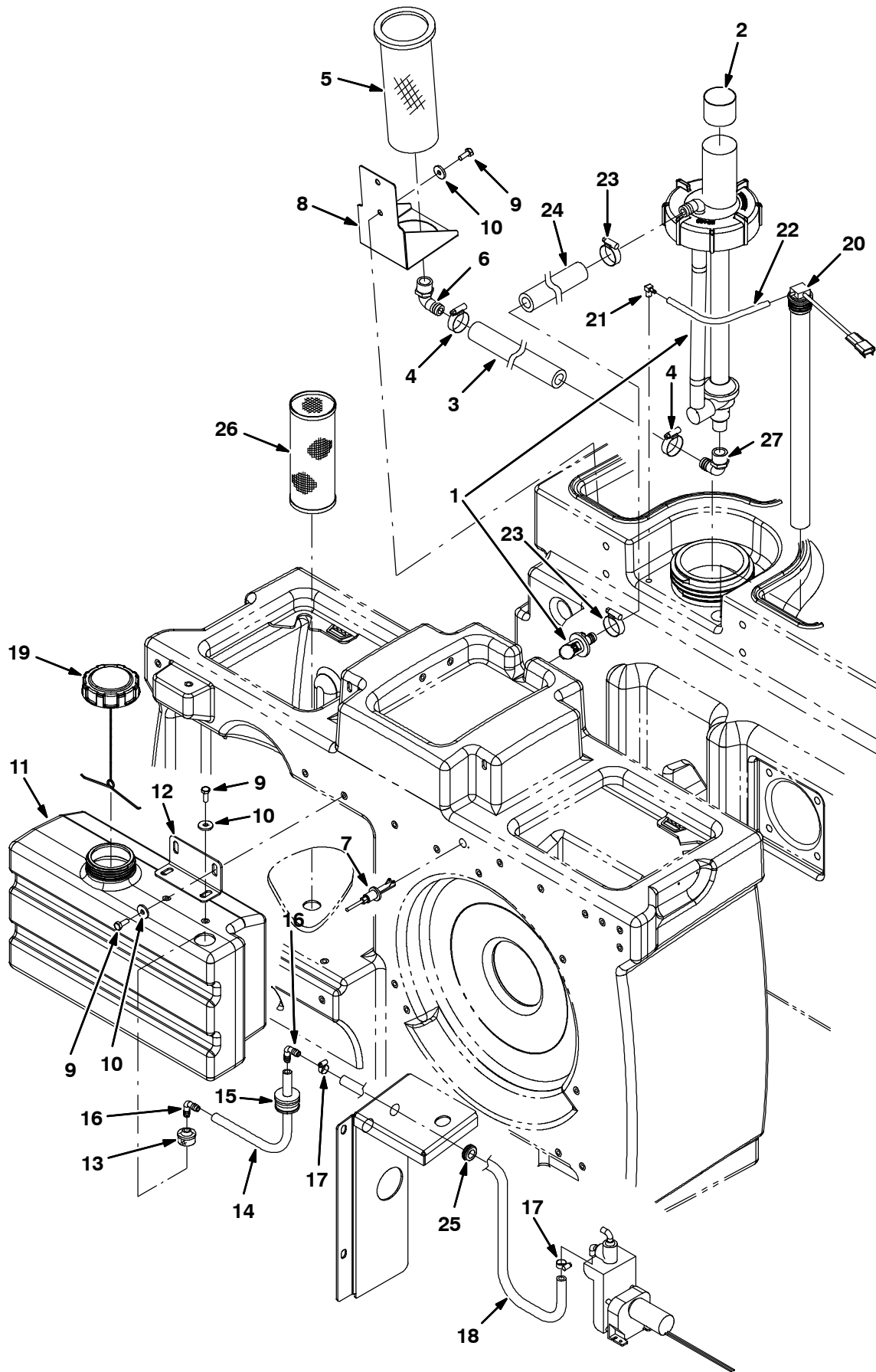


Fig. 2 - ES Tanks Group

Ref.	Part No.	Serial Number	Description	Qty.
1	1021210	(000000-) Pump Assy, Column, Es (See Breakdown)	1
2	1028697	(000000-) Sleeve, Rbr, 3.50b 3.58d 1.8l	1
3	1015033	(000000-) Hose, Afmkt, Pvc, Brd 0.62id 01ft	1
4	63810	(000000-) Clamp, Hose, Wormdrive, 0.56-1.06d, .56w	2
5	386652	(000000-) Strainer, Soltn, 20 Mesh, Cyl 3.5d 9.5l	1
6	24543	(000000-) Fitting, Plstc, E90, Bm12/Pf12	1
7	385685	(000000-) Sensor, Level, Liq, 14vdc 01a .62-11	1
8	1019636	(000000-) Bracket, Mtg, Strainer	1
9	09740	(000000-) Screw, Hex, M8 X 1.25 X 20, Ss	6
10	1017218	(000000-) Washer, Flat, 0.32b 1.00d .12, Ss	6
11	1022229	(000000-) Tank, Detgt, Trimmed	1
12	1025159	(000000-) Bracket, Mtg, Detgt And Spray Wand	1
13	20952	(000000-) Screen, Pump	1
14	1014974	(000000-) Hose, Afmkt, Pvc, Brd 0.38id 02ft	1
15	20944	(000000-) Grommet, Pye, 0.37id, F/1.5h, .13 Matl	1
16	20951	(000000-) Fitting, Plstc, E90, Bm06/Bm06	2
17	43844	(000000-) Clamp, Hose, Wormdrive, 0.25-0.62d, .31w	2
18	41295	(000000-) Hose, Pvc, Clr, 0.38id 0.56od 48.00l	1
19	1011885	(000000-) Cap, Tank	1
20	1029497	(000000-) Switch Assy, Press, 3.0, 19.5l Tube	1
21	32183	(000000-) Fitting, Brs, E90, Pm02/Bm03	1
22	1031572	(000000-) Hose, Afmkt, Vacuum, 0.16id 01ft	1
23	63810	(000000-) Clamp, Hose, Wormdrive, 0.56-1.06d, .56w	2
24	1015047	(000000-) Hose, Afmkt, Pvc, Brd 0.75id 02ft	1
25	10632-2	(000000-) Grommet, Rbr, 0.62id, F/0.9h, .12 Matl	1
26	1039019	(000000-) Filter, Soltn, 020mesh, Pm12 3.2d 08.0l	1
27	14877	(000000-) Fitting, Plstc, E90, Bm12/Pm12	1

Fig. 3 - Side Brush Motor Group

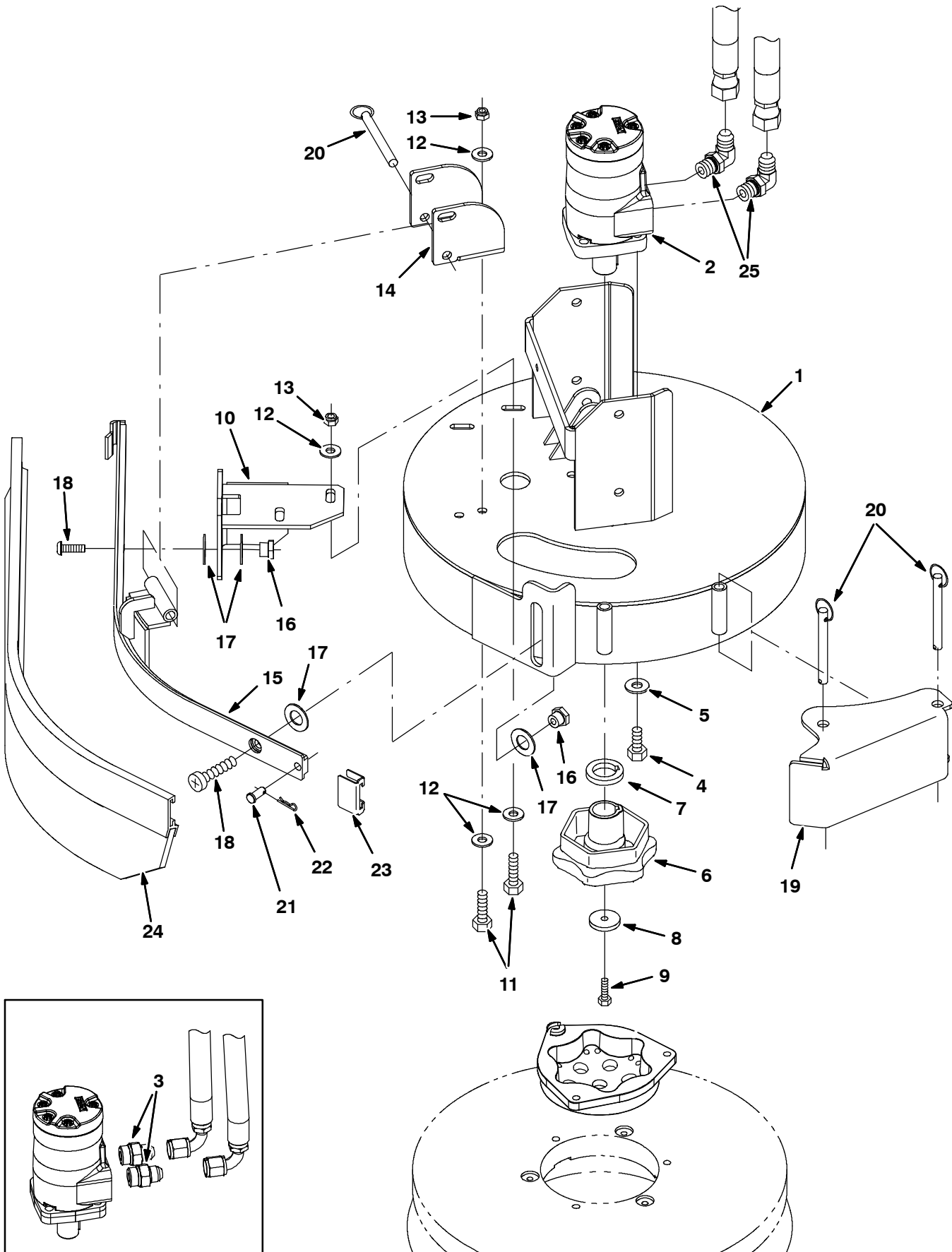


Fig. 3 - Side Brush Motor Group

Ref.	Part No.	Serial Number	Description	Qty.
1	1021794	(000000-) Bracket Wldt, Mtg, Side Brush	1
2	1029379	(000000-) Motor, Hyd, Gear, Int 08.9 Bi-Dir 2500 (See Breakdown)	1
3	56692	(000000-001337) Fitting, Hyd, Str, Jm08/Om10	2
4	01762	(000000-) Screw, Hex, .38-16 X 0.75, NI	4
5	32492	(000000-) Washer, Flat, 0.38 Std	4
6	1042968	(000000-) Hub, Drive, Brush, Disk, 1.00b [6t]	1
7	25611	(000000-) Spacer, Hub, Keyed	1
8	19191	(000000-) Spacer	1
9	25046	(000000-) Screw, Hex, .25-20 X 1.00, 5	1
10	1022135	(000000-) Bracket, Mtg, Sqge	1
11	09010	(000000-) Screw, Hex, M8 X 1.25 X 25, Ss	4
12	01685	(000000-) Washer, Flat, 0.31, Ss	8
13	08713	(000000-) Nut, Hex, Lock, M8 X 1.25, NI, Ss	4
14	1022188	(000000-) Bar, Retainer	1
15	1022111	(000000-) Frame Wldt, Sqge, Side Brush	1
16	1022302	(000000-) Nut, T, M8 X 1.25 X 14.5od X 9.5l	2
17	64425	(000000-) Washer, Thrust, 0.61b 1.25d .06, Fgl	4
18	223470	(000000-) Screw, Btn, M8 X 1.25 X 25, Ss	2
19	1022260	(000000-) Bumper Wldt, Brush, Side	1
20	369359	(000000-) Pin, Hitch, .375d X 3.12l, PI	3
21	46800	(000000-) Pin, Clevis, 0.31d X 0.75l	1
22	08179	(000000-) Pin, Cotter, .094 X 1.00	1
23	86759	(000000-) Retainer, Sqge	1
24	1025005	(000000-) Squeegee Assy, Sba, Linatex	1
24	1027716	(000000-) Squeegee Assy, Sba, Ure	1
25	56821	(001338-) Fitting, Hyd, E90, Jm08/Om10	1

Fig. 4 - Side Brush Lift Group

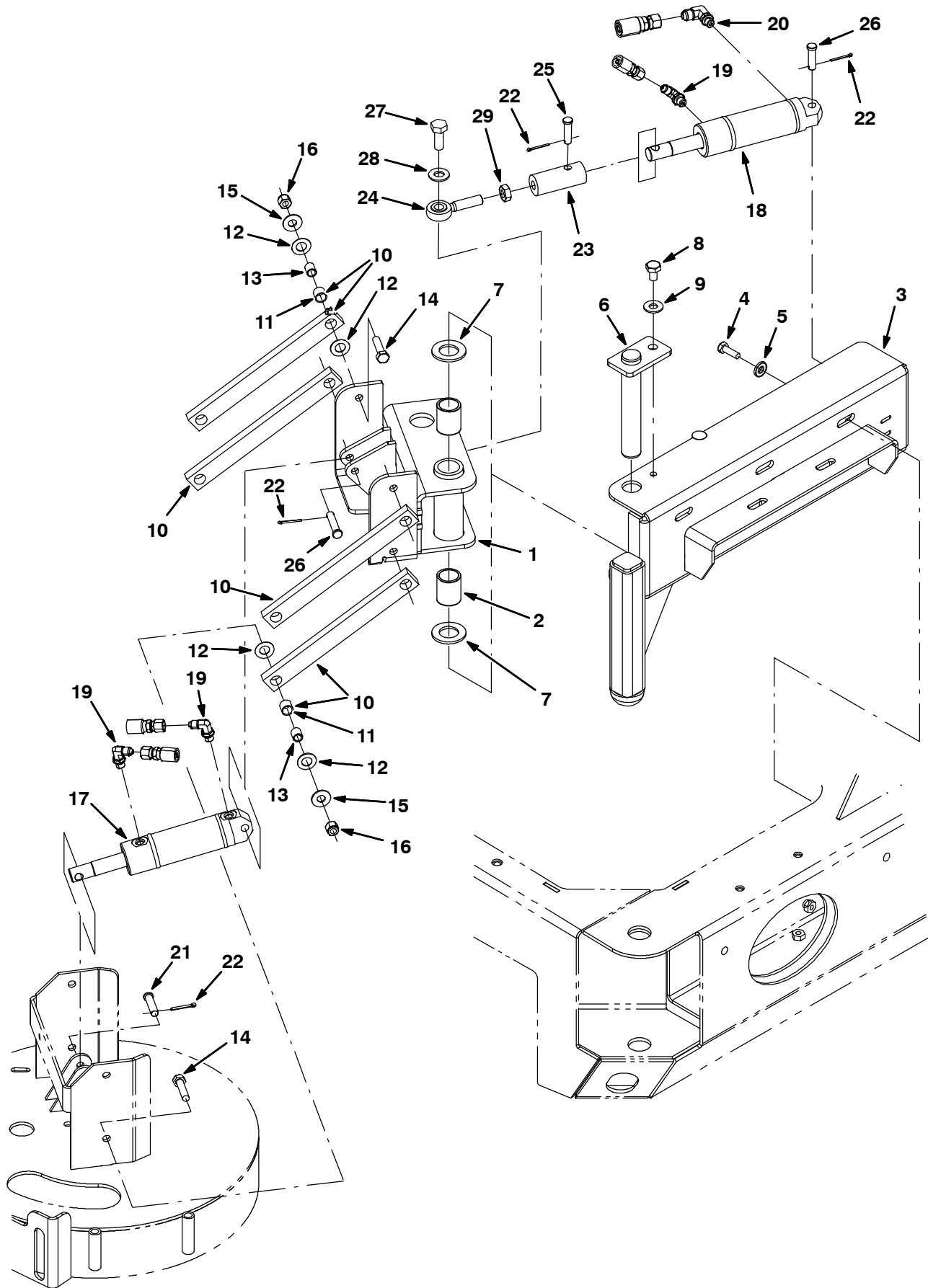


Fig. 4 - Side Brush Lift Group

Ref.	Part No.	Serial Number	Description	Qty.
1	1021439	(000000-) Pivot Wldt, Brush, Side	1
2	71868	(000000-) Bushing, Sleeve, 1.00b 1.13d 1.50l, Fgl	2
3	1021473	(000000-) Channel Wldt, Pivot	1
4	09010	(000000-) Screw, Hex, M8 X 1.25 X 25, Ss	5
5	41186	(000000-) Washer, Flat, Belleville, .31	5
6	1021617	(000000-) Pin Wldt	1
7	71869	(000000-) Washer, Thrust, 1.00b 1.75d 0.13w, Fbr	2
8	16735	(000000-) Screw, Hex, M8 X 1.25 X 16, 8.8	1
9	32491	(000000-) Washer, Flat, 0.31, Std	1
▽	10	63175-1	(000000-) Arm, Link	4
▲	11	63233	(000000-) Bushing, Sleeve, 0.50b 0.59d 0.50l, Bnz	2
	12	59633	(000000-) Bearing, Thrust, 0.53b 1.00d 0.03w	16
	13	1027926	(000000-) Sleeve, P/M, 0.37b 0.50d 0.6l [430ss]	8
	14	36845	(000000-) Screw, Hex, .38-16 X 1.50, Ss	8
	15	01685	(000000-) Washer, Flat, 0.31, Ss	8
	16	59156	(000000-) Nut, Hex, Lock, .38-16, Ni, Ss	8
	17	1038137	(000000-) Cylinder, Hyd, 1.5b 07.8l 02.80strk 2500	1
	18	1038115	(000000-) Cylinder, Hyd, 1.5b 07.8l 02.75strk 2500	1
	19	77097	(000000-) Fitting, Hyd, E90, Jm04/Om04	3
	20	77098	(000000-) Fitting, Hyd, E90, Jm06/Om04	1
	21	29558	(000000-) Pin, Clevis, 0.37d X 1.50l	1
	22	08179	(000000-) Pin, Cotter, .094 X 1.00	4
	23	1021564	(000000-) Adapter, Rod-End, Side Brush	1
	24	71874	(000000-) Rod-End, .50-20rh Mal 0.50b	1
	25	29557	(000000-) Pin, Clevis, 0.37d X 1.31l	1
	26	17461	(000000-) Pin, Clevis, 0.37d X 1.75l	2
	27	41346	(000000-) Screw, Hex, M12 X 1.75 X 30, 8.8	1
	28	32486	(000000-) Washer, Flat, 0.50 Sae	1
	29	48985	(000000-) Nut, Hex, Jam, .50-20	1

Fig. 5 - Side Brush Solution Control Group

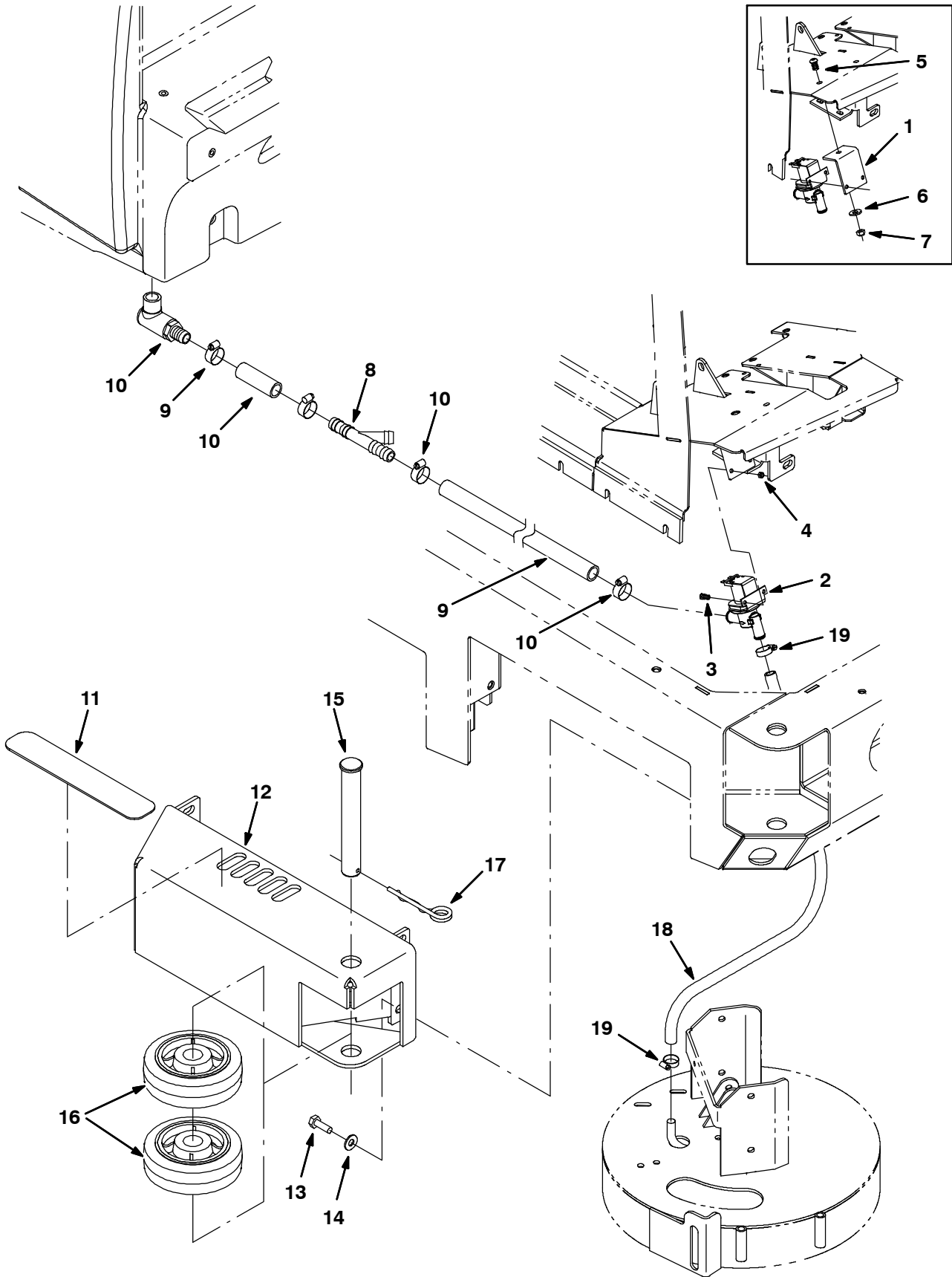


Fig. 5 - Side Brush Solution Control Group

Ref.	Part No.	Serial Number	Description	Qty.
1	1040834	(000000-002241)	Angle, Mtg, Valve	1
2	1022106	(000000-	Valve Assy, Water, Solenoid, 12vdc	1
3	09738	(000000-	Screw, Hex, M5 X 0.8 X 12, Ss	2
4	09739	(000000-	Nut, Hex, Lock, M5 X 0.8, NI, Ss	2
5	17284	(000000-002241)	Screw, Btn, M8 X 1.25 X 16, Ss	1
6	32491	(000000-002241)	Washer, Flat, 0.31, Std	1
7	08713	(000000-002241)	Nut, Hex, Lock, M8 X 1.25, NI, Ss	1
8	393255	(000000-	Fitting, Plstc, Tee, Bm12/Bm12/Bm12	1
9	1015045	(000000-	Hose, Afmkt, Pvc, Brd 0.75id 08ft	1
10	63810	(000000-	Clamp, Hose, Wormdrive, 0.56-1.06d, .56w	4
11	82839	(000000-	Tread, Non-Skid, 02.2w 11.5l	1
12	1022318	(000000-	Guard Wldt, Brush, Side	1
13	12317	(000000-	Screw, Hex, M10 X 1.5 X 30, Ss	4
14	01686	(000000-	Washer, Flat, 0.44b 1.00d .08, Ss	4
15	1017672	(000000-	Pin, Clevis, 30mmd X 200mml	1
16	1021047	(000000-	Wheel, 06.0d 2.00w 1.19b, Gray Rbr	2
17	761490	(000000-	Pin, Cotter, Hair, Dbl	1
18	50178	(000000-	Hose, Pvc, Clr, 0.50id 0.69od 26.00l	1
19	54333	(000000-	Clamp, Hose, Wormdrive, 0.31-0.88d, .31w	2

Fig. 6 - Side Brush Hydraulic Valve Group

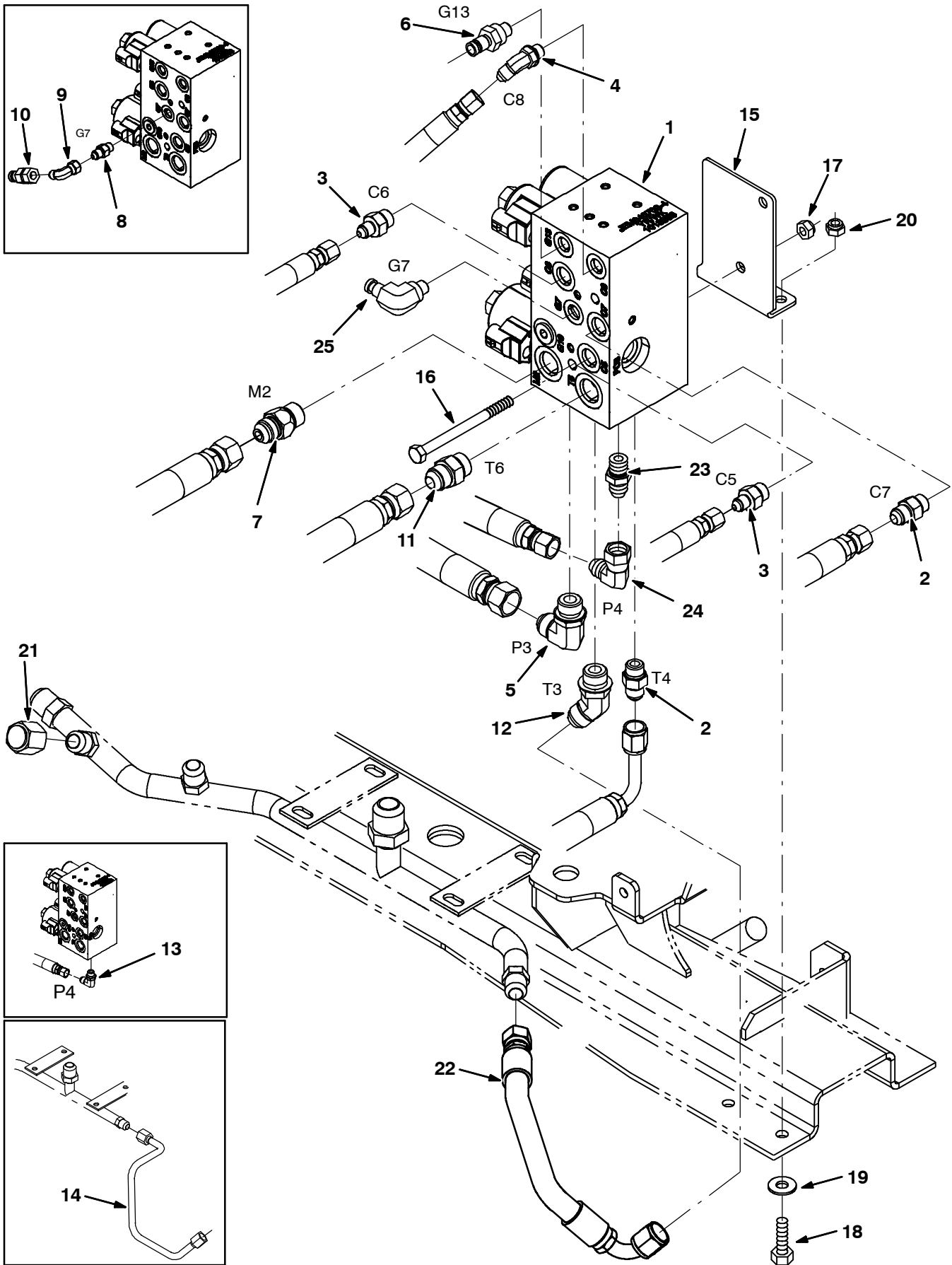


Fig. 6 - Side Brush Hydraulic Valve Group

Ref.	Part No.	Serial Number	Description	Qty.
1	1018938	(000000-002015)	Valve, Cntrl, Hyd [M20 And T20] (See Breakdown)	1
1	1037805	(002016-)	Valve, Hyd, Solenoid 12vdc 3000psi (See Breakdown)	1
2	56690	(000000-)	Fitting, Hyd, Str, Jm06/Om06	2
3	55685	(000000-)	Fitting, Hyd, Str, Jm04/Om06	2
4	34359	(000000-)	Fitting, Hyd, E45, Jm04/Om04	1
5	44868	(000000-)	Fitting, Hyd, E90, Jm08/Om08	1
6	395973	(000000-)	Fitting, Hyd, Str, Om04/Qm04	1
7	1026119	(000000-)	Valve, Hyd, Check, Jm08/Om08 5000psi	1
8	55586	(000000-002951)	Fitting, Hyd, Str, Jm04/Om04	1
9	39210	(000000-002951)	Fitting, Hyd, E90, Jf04/Jm04	1
10	396476	(000000-002951)	Fitting, Hyd, Str, Jf04/Qm04	1
11	44869	(000000-)	Fitting, Hyd, Str, Jm08/Om08	1
12	42226	(000000-)	Fitting, Hyd, E45, Jm08/Om08	1
13	56820	(000000-002015)	Fitting, Hyd, E90, Jm06/Om06	1
14	1025405	(000000-001357)	Tube, Hyd, 08 Jf08/Jf08	1
15	1045272	(000000-)	Bracket, Valve, Sba [M20 And T20]	1
16	06959	(000000-)	Screw, Hex, M8 X 1.25 X 100, 8.8	2
17	08709	(000000-)	Nut, Hex, Lock, M8 X 1.25, NI	2
18	09010	(000000-)	Screw, Hex, M8 X 1.25 X 25, Ss	2
19	32491	(000000-)	Washer, Flat, 0.31, Std	2
20	08713	(000000-)	Nut, Hex, Lock, M8 X 1.25, NI, Ss	2
21	60090	(000000-)	Fitting, Hyd, Cap, Jf08	1
22	1037011	(001358-)	Hose, Hyd, Tc08, Jf08str/Jf08e90, 012.0	1
23	56690	(002016-)	Fitting, Hyd, Str, Jm06/Om06	1
24	47504	(002016-)	Fitting, Hyd, E90, Jf06/Jm06	1
25	395974	(002952-)	Fitting, Hyd, E90, Om04/Qm04	1

Fig. 7 - Side Brush Hydraulic Hose Group

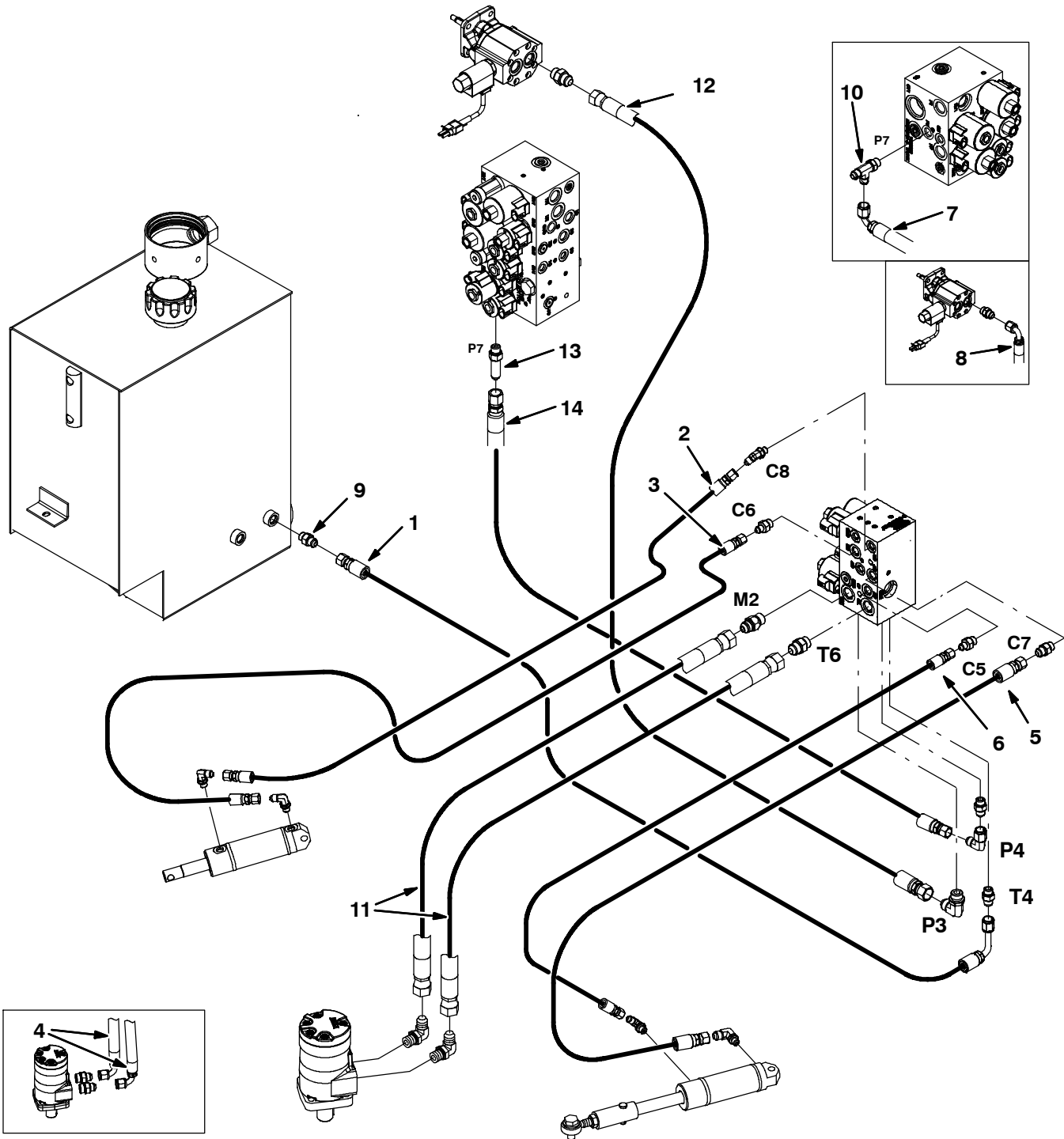


Fig. 7 - Side Brush Hydraulic Hose Group

Ref.	Part No.	Serial Number	Description	Qty.
1	361047	(000000-) Hose, Hyd, Med06, Jf06e90l/Jf06str,038.0	1
2	1023485	(000000-) Hose, Hyd, Tc06, Jf06str/Jf06str, 033.0	1
3	1025990	(000000-) Hose, Hyd, Tc04, Jf04str /Jf04str, 39.0	1
4	1023486	(000000-001337) Hose, Hyd, Tc08, Jf08e90/Jf08str, 034.0	2
5	1025991	(000000-) Hose, Hyd, Tc06, Jf06str /Jf06str, 23.0	1
6	1025992	(000000-) Hose, Hyd, Tc04, Jf04str /Jf04str, 20.0	1
7	1025445	(000000-026999) Hose, Hyd, Tc06, Jf06str /Jf06e90, 74.0	1
8	365004	(000000-001337) Hose, Hyd, Tc08, Jf08e90/Jf08str, 056.0	1
9	56690	(000000-) Fitting, Hyd, Str, Jm06/Om06	1
10	76316	(000000-026999) Fitting, Hyd, Tee, Jm06/Jm06/Om06, Run	1
11	1036965	(001338-) Hose, Hyd, Tc08, Jf08str/Jf08str, 034.0	1
12	1036944	(001338-) Hose, Hyd, Tc08, Jf08str/Jf08str, 056.0	1
13	59577	(027000-) Fitting, Hyd, Str, Jm06/Om06, Long	1
14	377236	(027000-) Hose, Hyd, Tc06, Jf06Str/Jf06Str, 062.0	1

Fig. 8 - Fast Solution Pump Group (000000-002532)

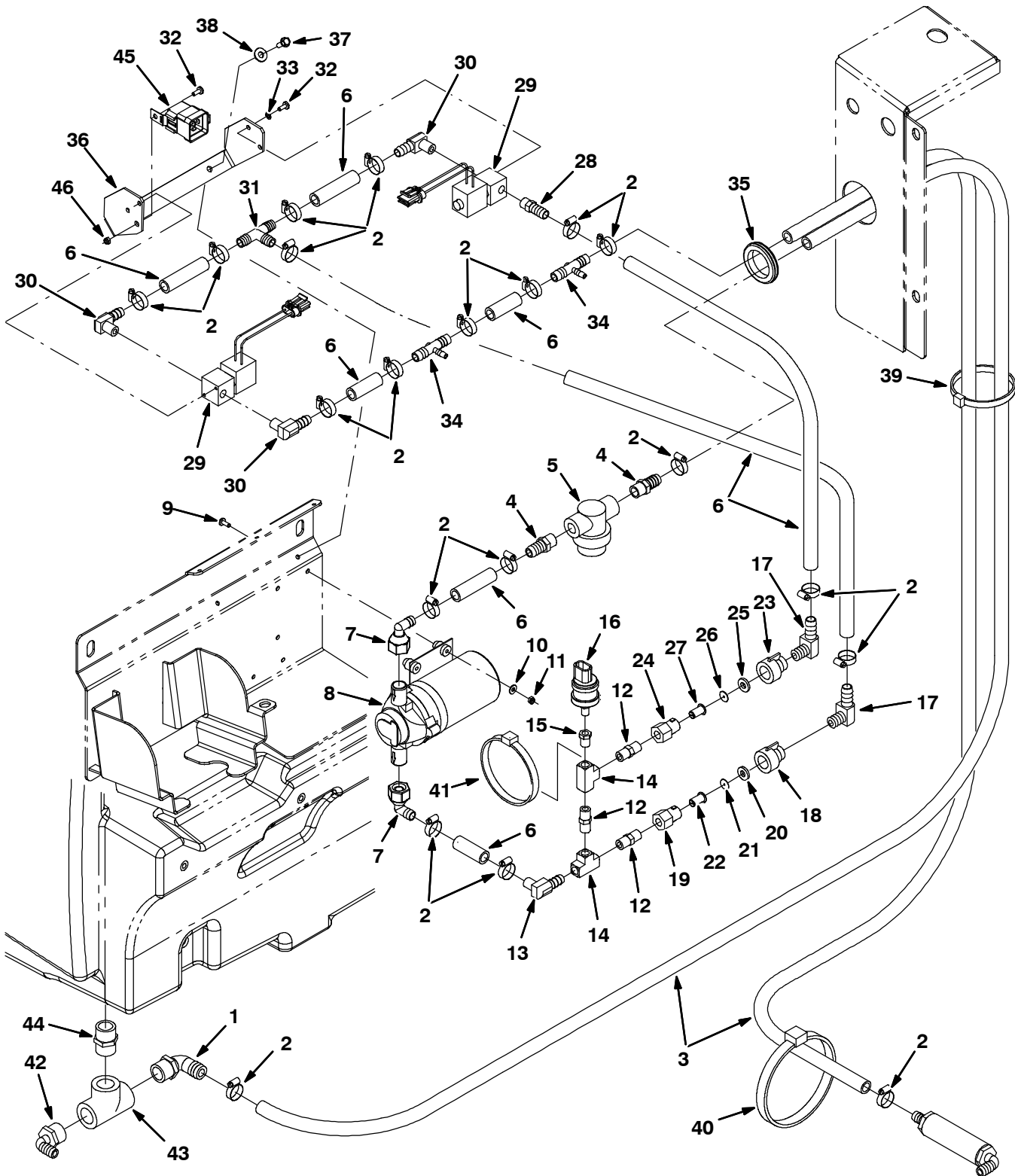


Fig. 8 - Fast Solution Pump Group (000000-002532)

Ref.	Part No.	Serial Number	Description	Qty.
1	1005552	(000000-002532)	Fitting, Plstc, E90, Bm08/Pm12, Nyl	1
2	54333	(000000-002532)	Clamp, Hose, Wormdrive, 0.31-0.88d, .31w	1
3	1011412	(000000-002532)	Hose, Afmkt, Pvc, Brd 0.50id 08ft	1
4	64743	(000000-002532)	Fitting, Plstc, Str, Bm08/Pm06	2
5	1005302	(000000-002532)	Filter, In-Line, Pf06/Pf06, 80 Mesh	1
6	1006401	(000000-002532)	Hose, Afmkt, Pvc, Brd 0.50id 03ft	1
7	1018499	(000000-002532)	Fitting, Plstc, E90, Bm08/Pf08s, Swivel	2
8	1030878	(000000-002532)	Pump, Soltn, Ele, 12vdc [W/O Chk Valve]	1
9	17185	(000000-002532)	Screw, Pan, M5 X 0.8 X 40, Ss	4
10	01683	(000000-002532)	Washer, Flat, #10, Ss	4
11	09739	(000000-002532)	Nut, Hex, Lock, M5 X 0.8, NI, Ss	4
12	398468	(000000-002532)	Fitting, Brs, Str, Pm04/Pm04	3
13	1010836	(000000-002532)	Fitting, Brs, E90, Bm08/Pm04	1
14	398474	(000000-002532)	Fitting, Brs, Tee, Pf04/Pf04/Pf04	2
15	150100	(000000-002532)	Fitting, Brs, Str, Pf02/Pm04	1
16	1028582	(000000-002532)	Switch, Press, 10psi, Spst	1
17	1010836	(000000-002532)	Fitting, Brs, E90, Bm08/Pm04	2
▽	1030864	(000000-002532)	Fitting Assy, Orifice, 0.070b, Pf04/Pf04	1
▲	18 1005506	(000000-002532)	Fitting, Plstc, Cap, Spray, Pf04	1
▲	19 1005507	(000000-002532)	Fitting, Plstc, Body, Spray, Pf04	1
▲	20 1005508	(000000-002532)	Washer, Flat, 0.34b 0.75d .12 [Viton]	1
▲	21 1018883	(000000-002532)	Plate, Orifice, 0.070id	1
▲	22 1006447	(000000-002532)	Vr, Filter, Screen, 50 Mesh .59d .8l Ss	1
▽	1030863	(000000-002532)	Fitting Assy, Orifice, 0.093b, Pf04/Pf04	1
▲	23 1005506	(000000-002532)	Fitting, Plstc, Cap, Spray, Pf04	1
▲	24 1005507	(000000-002532)	Fitting, Plstc, Body, Spray, Pf04	1
▲	25 1005508	(000000-002532)	Washer, Flat, 0.34b 0.75d .12 [Viton]	1
▲	26 1018884	(000000-002532)	Plate, Orifice, 0.093id	1
▲	27 1006447	(000000-002532)	Vr, Filter, Screen, 50 Mesh .59d .8l Ss	1
28	762249	(000000-002532)	Fitting, Brs, Str, Bm08/Pm04	1
29	1018098	(000000-002532)	Valve, Water, 12vdc, 6.0mm, 04pf	2
30	1010836	(000000-002532)	Fitting, Brs, E90, Bm08/Pm04	3
31	63245-1	(000000-002532)	Fitting, Plstc, Tee, Bm08/Bm08/Bm08	1
32	09200	(000000-002532)	Screw, Pan, M5 X 0.8 X 12, Ss	5
33	07514	(000000-002532)	Washer, Lock, Int, #10, Ss	4
34	1010684	(000000-002532)	Fitting, Plstc, Tee, Bm04/Bm08/Bm08, Br	2
35	10632-19	(000000-002532)	Grommet, Rbr, 2.13id, F/2.5h, .12 Matl	1
36	1026074	(000000-002532)	Plate, Hsng [Fast]	1
37	361339	(000000-002532)	Screw, Hex, M6 X 1.0 X 16, Fmg	4
38	32490	(000000-002532)	Washer, Flat, 0.25 Std	4
39	49266	(000000-002532)	Tie, Cable, Nyl, 07.3l .19w 1.8 Max D	1
40	763116	(000000-002532)	Tie, Cable, Nyl, 15.3l . W 4.5 Max D	1
41	763114	(000000-002532)	Tie, Cable, 11.3l, 2.75d Max	1
42	14877	(000000-002532)	Fitting, Plstc, E90, Bm12/Pm12	1
43	42133A	(000000-002532)	Fitting, Plstc, Tee, Pf12/Pf12/Pf12	1
44	24544	(000000-002532)	Fitting, Plstc, Str, Pm12/Pm12 1.60l	1
45	56186	(000000-002532)	Relay, 12vdc, 40a, Spdt N/O	1
46	09739	(000000-002532)	Nut, Hex, Lock, M5 X 0.8, NI, Ss	1

Fig. 9 - Fast Air Pump and Detergent Group (000000-002532)

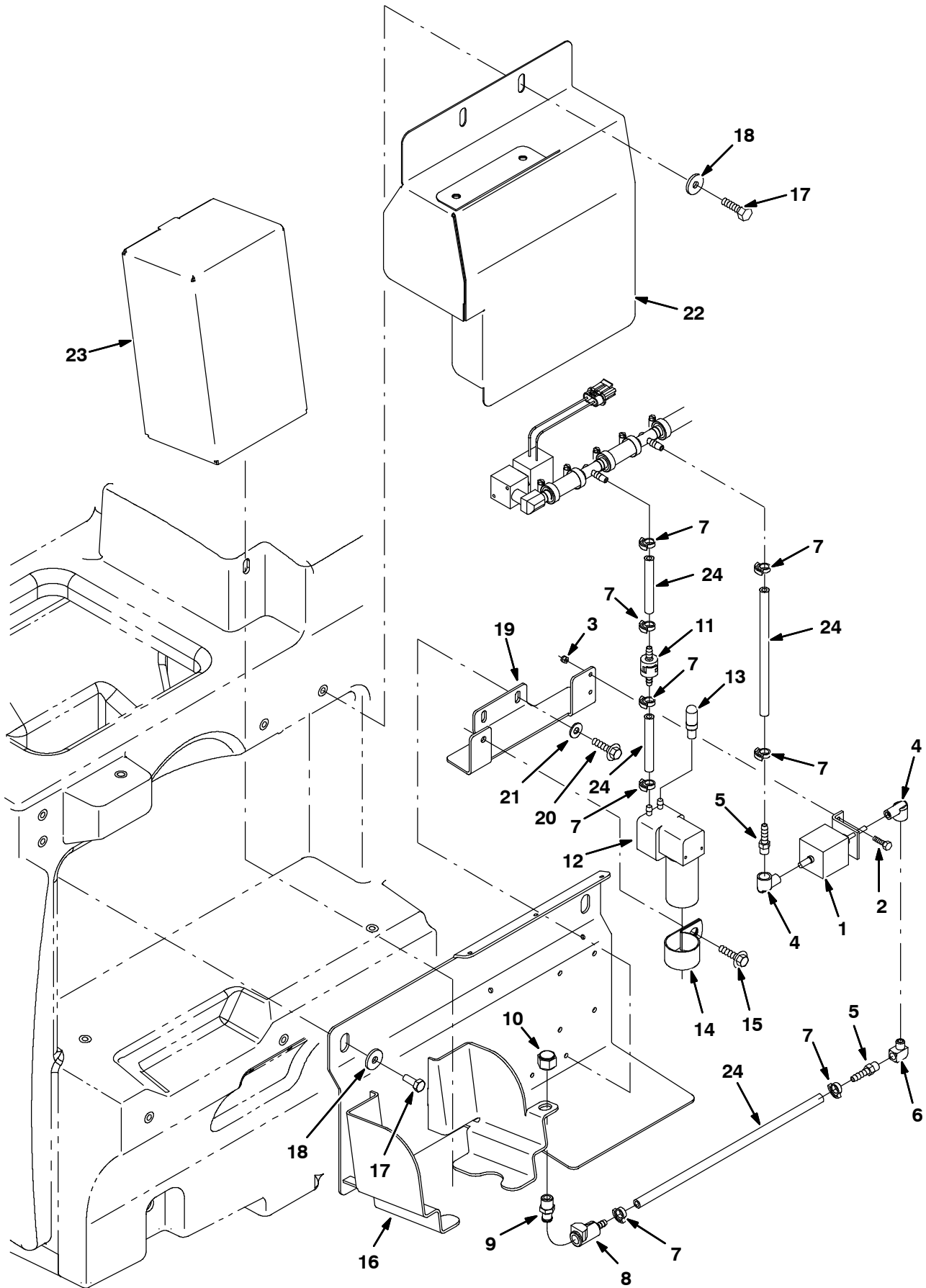


Fig. 9 - Fast Air Pump and Detergent Group (000000-002532)

Ref.	Part No.	Serial Number	Description	Qty.
1	1018097	(000000-002532)	Pump, Detgt, 12vdc	1
2	09206	(000000-002532)	Screw, Hex, M4 X 0.7 X 12, 8.8	2
3	02850	(000000-002532)	Nut, Hex, Lock, M4 X 0.7, NI	2
4	1014082	(000000-002532)	Fitting, Brs, E90, Cf03/Pf02	2
5	150525	(000000-002532)	Fitting, Brs, Str, Bm04/Pm02	2
6	11984	(000000-002532)	Fitting, Pipe, E90, Pf02/Pm02	1
7	1014575	(000000-002532)	Clamp, Hose, Plstc .351-.394 Id	8
8	1002898	(000000-002532)	Fitting, Plstc, Str, Bm04, Cplg, Fem	1
9	1002899	(000000-002532)	Fitting, Plstc, Str, Pm04, Cplg, Mal	1
10	1005435	(000000-002532)	Fitting, Plstc, Pipe, Cap, Pf04	1
11	1013902	(000000-002532)	Valve, Check, 0002psi Bm04/Bm04	1
12	1018780	(000000-002532)	Pump, Air, Ele, 12vdc	1
13	1005255	(000000-002532)	Filter Assy, Air, Mold, Ure	1
14	53466	(000000-002532)	Clamp, Cable, Stl, 1.50d X 1.00w, 1h	1
15	76099	(000000-002532)	Screw, Hex, M8 X 1.25 X 25, Fmg	1
16	1026067	(000000-002532)	Bracket Wldt, Mtg [Fast]	1
17	09740	(000000-002532)	Screw, Hex, M8 X 1.25 X 20, Ss	4
18	1017218	(000000-002532)	Washer, Flat, 0.32b 1.00d .12, Ss	4
19	1029118	(000000-002532)	Bracket, Mtg [Fast]	1
20	361339	(000000-002532)	Screw, Hex, M6 X 1.0 X 16, Fmg	2
21	32490	(000000-002532)	Washer, Flat, 0.25 Std	2
22	1033297	(000000-002532)	Cover Wldt [Fast]	1
23	1021878	(000000-002532)	Detergent Pkg, 4 Liter, Sgl [Tco 665]	1
24	1006415	(000000-002532)	Hose, Afmkt, Pvc, Clr 0.25id 03ft	1

Fig. 10 - Fast Foam Filter Group (000000-002532)

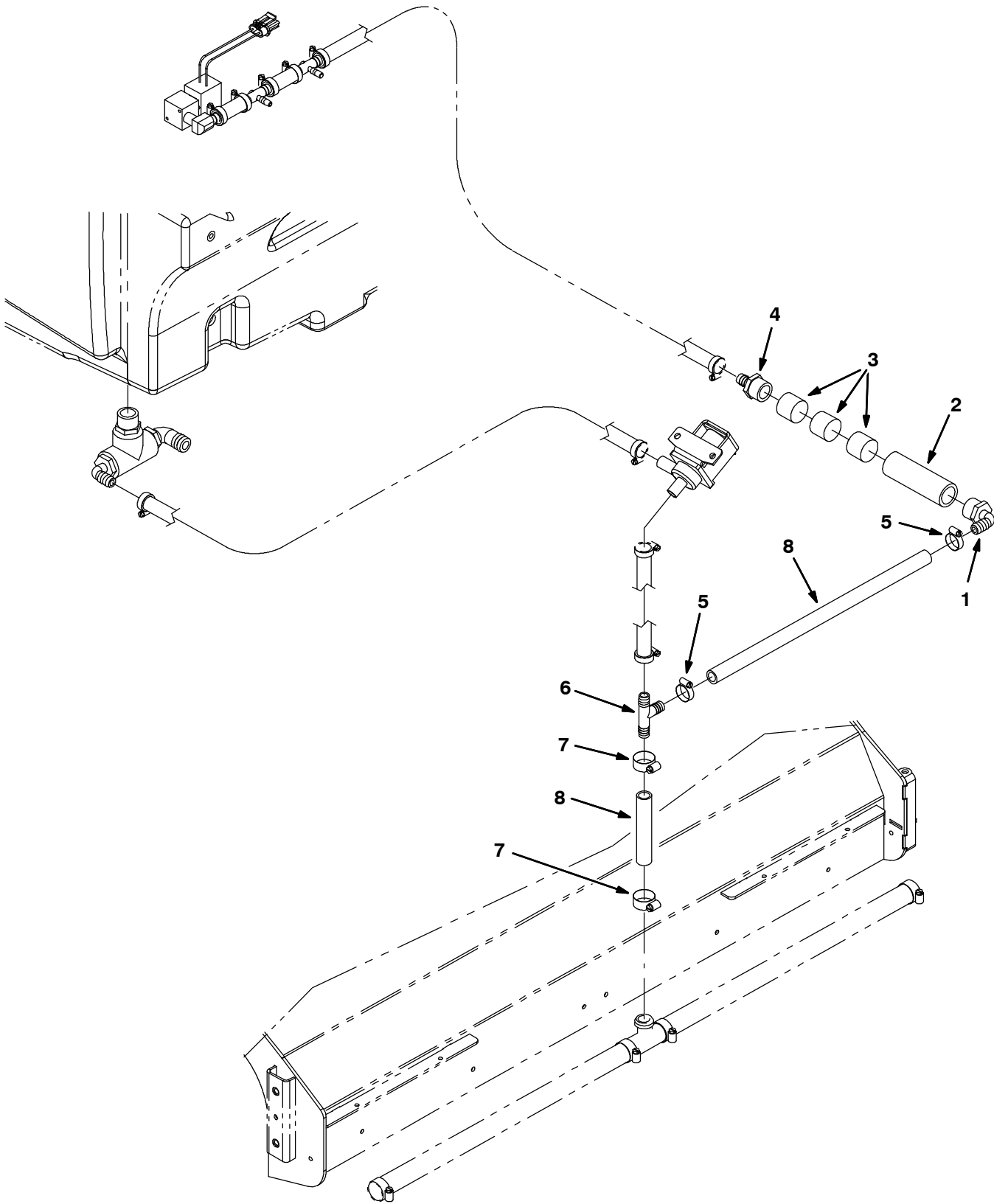


Fig. 10 - Fast Foam Filter Group (000000-002532)

Ref.	Part No.	Serial Number	Description	Qty.
1	1005552	(000000-002532)	Fitting, Plstc, E90, Bm08/Pm12, Nyl	1
2	1005086	(000000-002532)	Tube, Pvc, Clr, 4.0l [Shc80]	1
3	1002789	(000000-002532)	Filter, Foam, Rbr, 1.20d, 1.0l	3
4	79273-1	(000000-002532)	Fitting, Plstc, Str, Bm08/Pm12	1
5	54333	(000000-002532)	Clamp, Hose, Wormdrive, 0.31-0.88d, .31w	2
6	385644	(000000-002532)	Fitting, Plstc, Tee, Bm08/Bm12/Bm12, Br	1
7	63810	(000000-002532)	Clamp, Hose, Wormdrive, 0.56-1.06d, .56w	2
8	1011521	(000000-002532)	Hose, Afmkt, Pvc, Brd 0.50id 02ft	1

Fig. 11 - Fast Foam Filter Group, Side Brush (000000-002532)

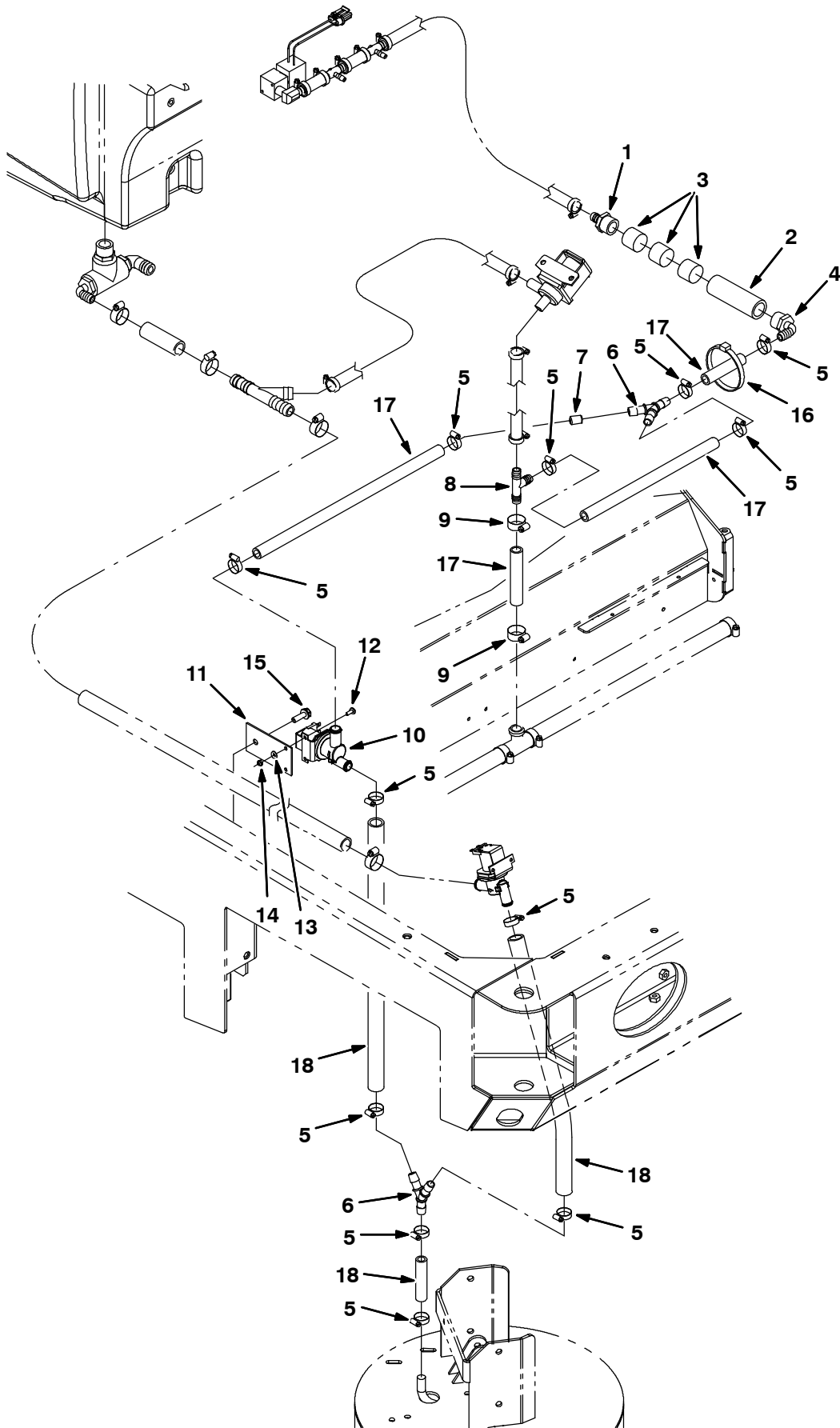


Fig. 11 - Fast Foam Filter Group, Side Brush (000000-002532)

Ref.	Part No.	Serial Number	Description	Qty.
1	79273-1	(000000-002532)	Fitting, Plstc, Str, Bm08/Pm12	1
2	1005086	(000000-002532)	Tube, Pvc, Clr, 4.0l [Shc80]	1
3	1002789	(000000-002532)	Filter, Foam, Rbr, 1.20d, 1.0l	3
4	1005552	(000000-002532)	Fitting, Plstc, E90, Bm08/Pm12, Nyl	1
5	54333	(000000-002532)	Clamp, Hose, Wormdrive, 0.31-0.88d, .31w	10
6	1010668	(000000-002532)	Fitting, Plstc, Y, Bm08/Bm08/Bm08, Nyl	2
7	1018333	(000000-002532)	Fitting, Plstc, Rst, .50od /.13id	1
8	385644	(000000-002532)	Fitting, Plstc, Tee, Bm08/Bm12/Bm12, Br	1
9	63810	(000000-002532)	Clamp, Hose, Wormdrive, 0.56-1.06d, .56w	2
10	1037825	(000000-002532)	Valve, Solenoid, 12vdc, Water Flow	1
11	1030511	(000000-002532)	Plate, Mtg, Valve	11
12	09200	(000000-002532)	Screw, Pan, M5 X 0.8 X 12, Ss	2
13	01683	(000000-002532)	Washer, Flat, #10, Ss	2
14	09739	(000000-002532)	Nut, Hex, Lock, M5 X 0.8, NI, Ss	2
15	76099	(000000-002532)	Screw, Hex, M8 X 1.25 X 25, Fmg	1
16	763116	(000000-002532)	Tie, Cable, Nyl, 15.3l . W 4.5 Max D	1
17	1011412	(000000-002532)	Hose, Afmkt, Pvc, Brd 0.50id 08ft	1
18	1015067	(000000-002532)	Hose, Afmkt, Pvc, Clr 0.50id 08ft	1

Fig. 12 - Fast Wire Harness Group (000000-002532)

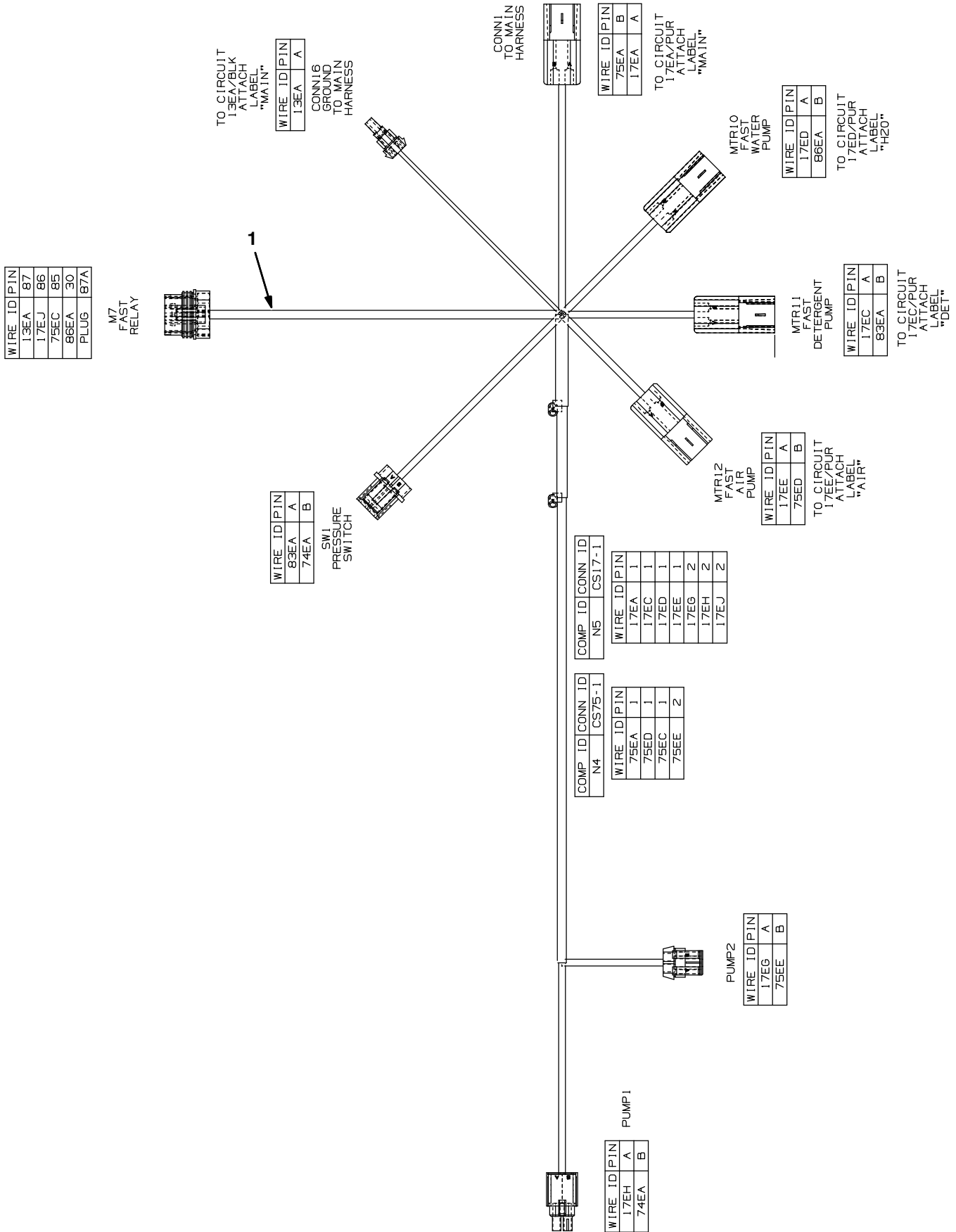


Fig. 12 - Fast Wire Harness Group (000000-002532)

Ref.	Part No.	Serial Number	Description	Qty.
1	1019646	(000000-002532)	Harness [Fast, M20 And T20]	1

Fig. 13 - FaST Pumps and Detergent Group (002533-)

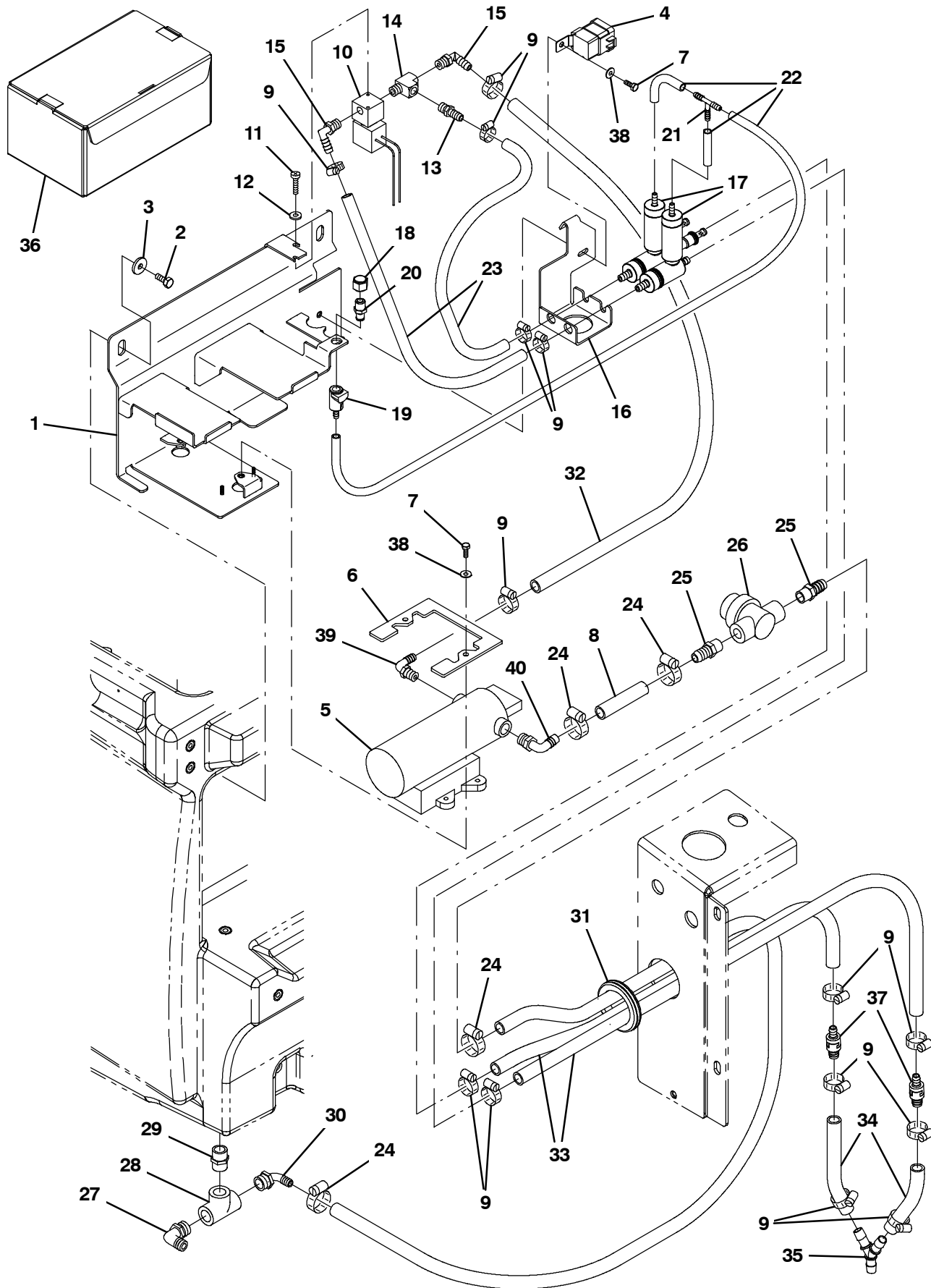


Fig. 13 - FaST Pumps and Detergent Group (002533-)

Ref.	Part No.	Serial Number	Description	Qty.
1	1044342	(002533-) Bracket Wldt, Mtg [Fast Gen 2+]	1
2	09740	(002533-) Screw, Hex, M8 X 1.25 X 20, Ss	2
3	1017218	(002533-) Washer, Flat, 0.32b 1.00d .12, Ss	2
4	56186	(002533-) Relay, 12vdc, 040a, Spdt No	1
5	1036801	(002533-) Pump, Soltn, 13.7vdc, 65psi [Fast li+]	1
6	1039357	(002533-) Bracket, Retainer, Pump	1
7	15678	(002533-) Screw, Hex, M6 X 1.00 X 16, Ss	3
8	1011403	(002533-) Hose, Afmkt, Pvc, Brd, 0.50ld, 01Ft, Clr	1
9	43844	(002533-) Clamp, Hose, Wormdrive, 0.25-0.62d, .31w	14
10	1018098	(002533-) Valve, Water, Solenoid, 12vdc 6.0mm Pf04	1
11	09200	(002533-) Screw, Pan, Phl, M5 X 0.80 X 12, Ss	2
12	01683	(002533-) Washer, Flat, 10, Ss	2
13	150540	(002533-) Fitting, Plstc, Str, Bm06/Pm04	1
14	150709	(002533-) Fitting, Brs, Tee, Pm04/Pf04/Pf04, Run	1
15	57248	(002533-) Fitting, Plstc, E90, Bm06/Pm04, Nyl	2
16	1044343	(002533-) Bracket, Mtg [Fast Gen 2+]	1
17	9004515	(002533-) Fast Kit, Injector, Ci[M20/M30 FaST II+]	2
18	1005435	(002533-) Fitting, Plstc, Pipe, Cap, Pf04	1
19	1002898	(002533-) Fitting, Plstc, Str, Bm04, Cplg, Fem	1
20	1002899	(002533-) Fitting, Plstc, Str, Pm04, Cplg, Mal	2
21	150713	(002533-) Fitting, Plstc, Tee, Bm04/Bm04/Bm04	1
22	1014986	(002533-) Hose, Afmkt, Pvc, Clr, 0.25id, 02ft	1
23	1006416	(002533-) Hose, Afmkt, Pvc, Clr, 0.38id, 03ft	1
24	54333	(002533-) Clamp, Hose, Wormdrive, 0.31-0.88d, .31w	8
25	150538	(002533-) Fitting, Plstc, Str, Bm06/Pm06	2
26	1005302	(002533-) Filter, In-Line, Pf06/Pf06 080mesh 02.6l	1
27	14877	(002533-) Fitting, Plstc, E90, Bm12/Pm12	1
28	42133A	(002533-) Fitting, Plstc, Tee, Pf12/Pf12/Pf12	1
29	24544	(002533-) Fitting, Plstc, Str, Pm12/Pm12 1.60l	1
30	1005552	(002533-) Fitting, Plstc, E90, Bm08/Pm12, Nyl	1
31	10632-19	(002533-) Grommet, Rbr, 2.13id, F/2.5h, .12 Matl	1
32	1006400	(002533-) Hose, Afmkt, Pvc, Brd, 0.38id, 03ft, Clr	1
33	1024237	(002533-) Hose, Afmkt, Pvc, Wir, 0.50id, 03ft, Clr	1
34	1014929	(002533-) Hose, Afmkt, Pvc, Clr, 0.38id, 01ft	1
35	1010668	(002533-) Fitting, Plstc, Y, Bm08/Bm08/Bm08, Nyl	1
36	1021878	(002533-) Fast 665 4 Ltr, Detergent	1
37	1035794	(002533-) Valve, Check, 0005psi Bm06/Bm08	2
38	01684	(002533-) Washer, Flat, 0.27B 0.69D .05, Ss	3
39	1049254	(002533-) Fitting, Nyl, Qdc, E90, Bm08/ Qm10	1
40	1049259	(002533-) Fitting, NylY, Qdc, E90, Bm06/ Qm10	1

Fig. 14 - FaST Solution Supply Group (002533-)

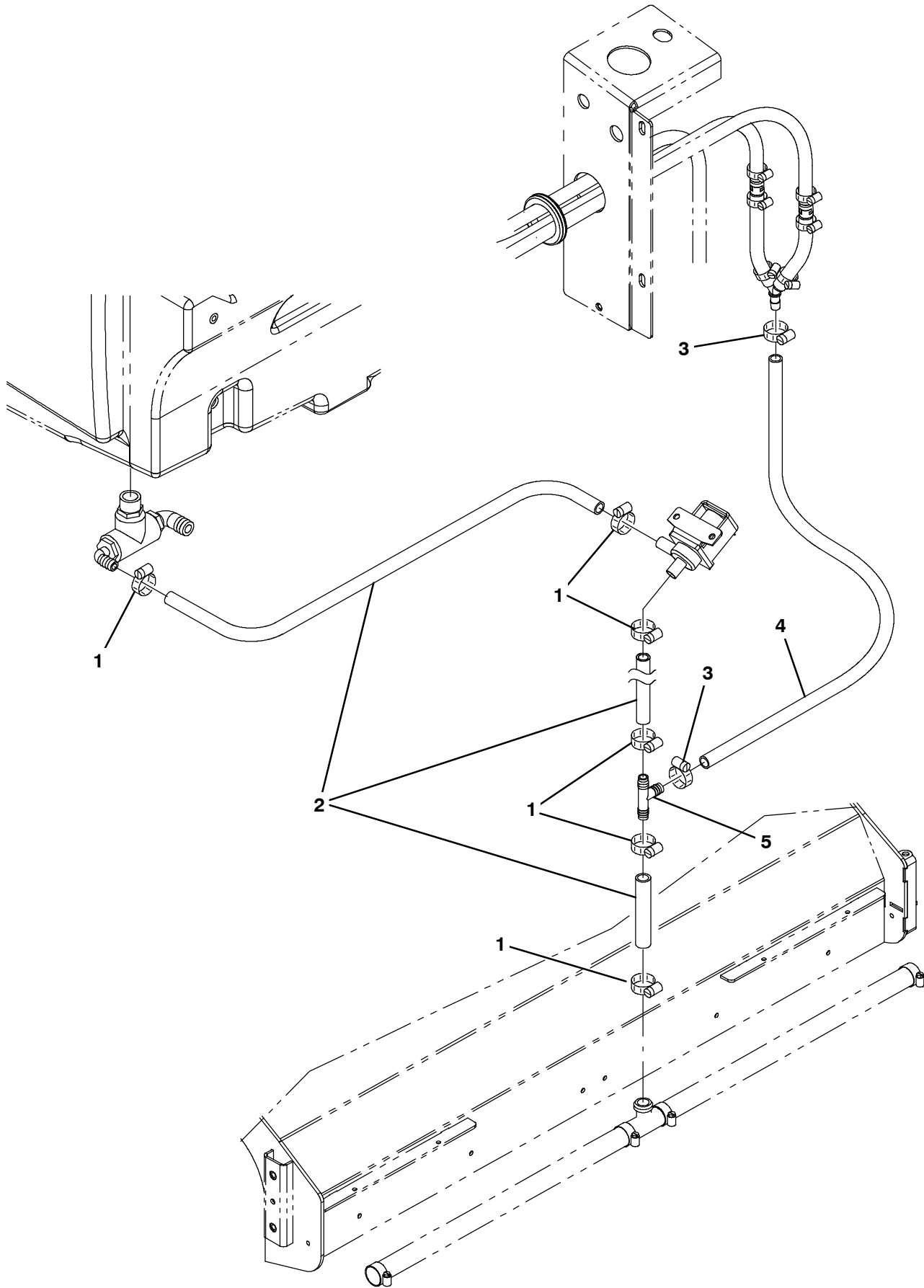


Fig. 14 - FaST Solution Supply Group (002533-)

Ref.	Part No.	Serial Number	Description	Qty.
1	63810	(002533-) Clamp, Hose, Wormdrive, 0.56-1.06d, .56w	6
2	1015045	(002533-) Hose, Afmkt, Pvc, Brd, 0.75id, 08ft, Clr	1
3	54333	(002533-) Clamp, Hose, Wormdrive, 0.31-0.88d, .31w	2
4	1011412	(002533-) Hose, Afmkt, Pvc, Brd, 0.50id, 08ft, Clr	1
5	385644	(002533-) Fitting, Plstc, Tee, Bm08/Bm12/Bm12, Br	1

Fig. 15 - FaST Solution Supply Group with Side Brush (002533-)

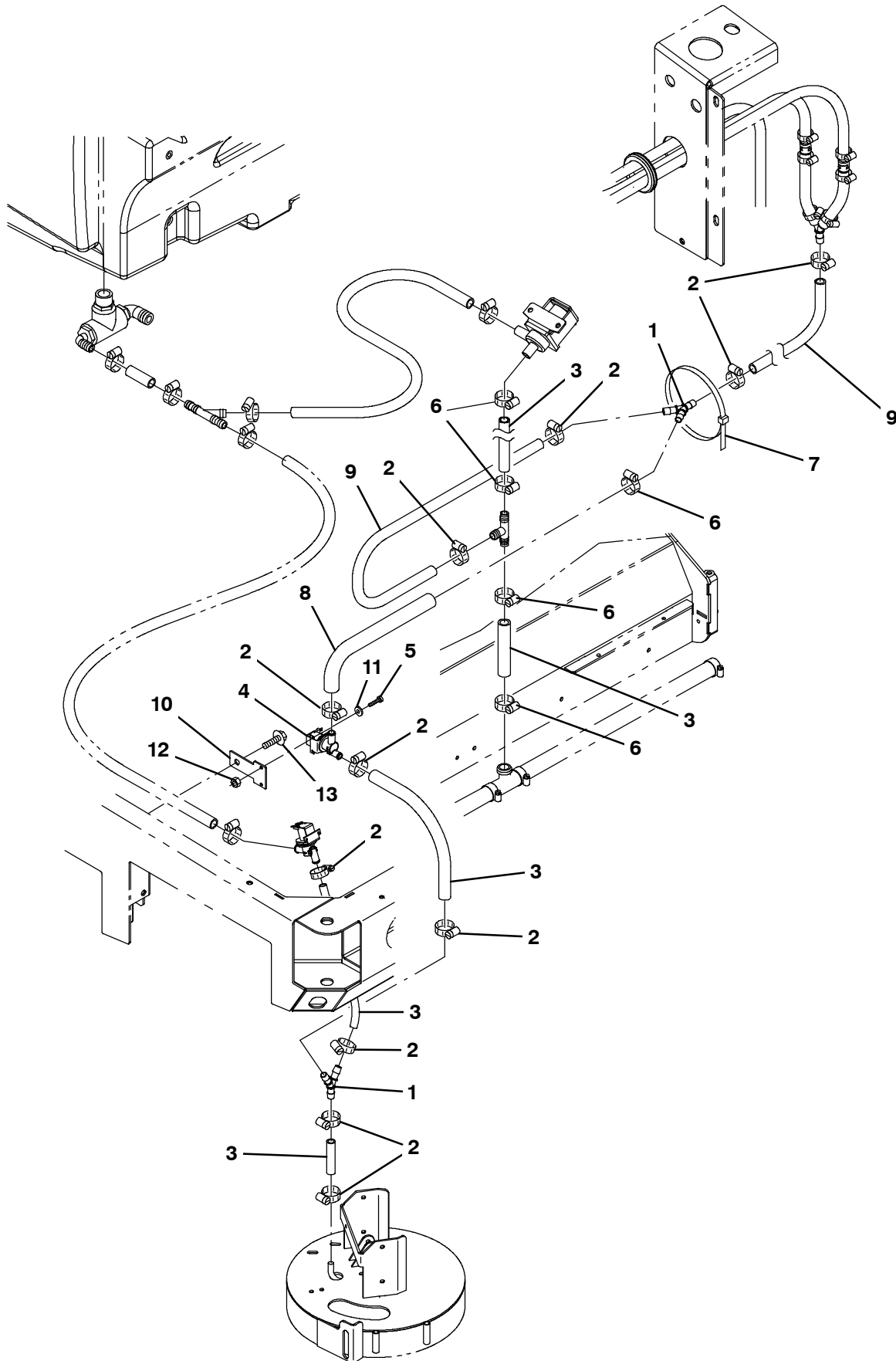
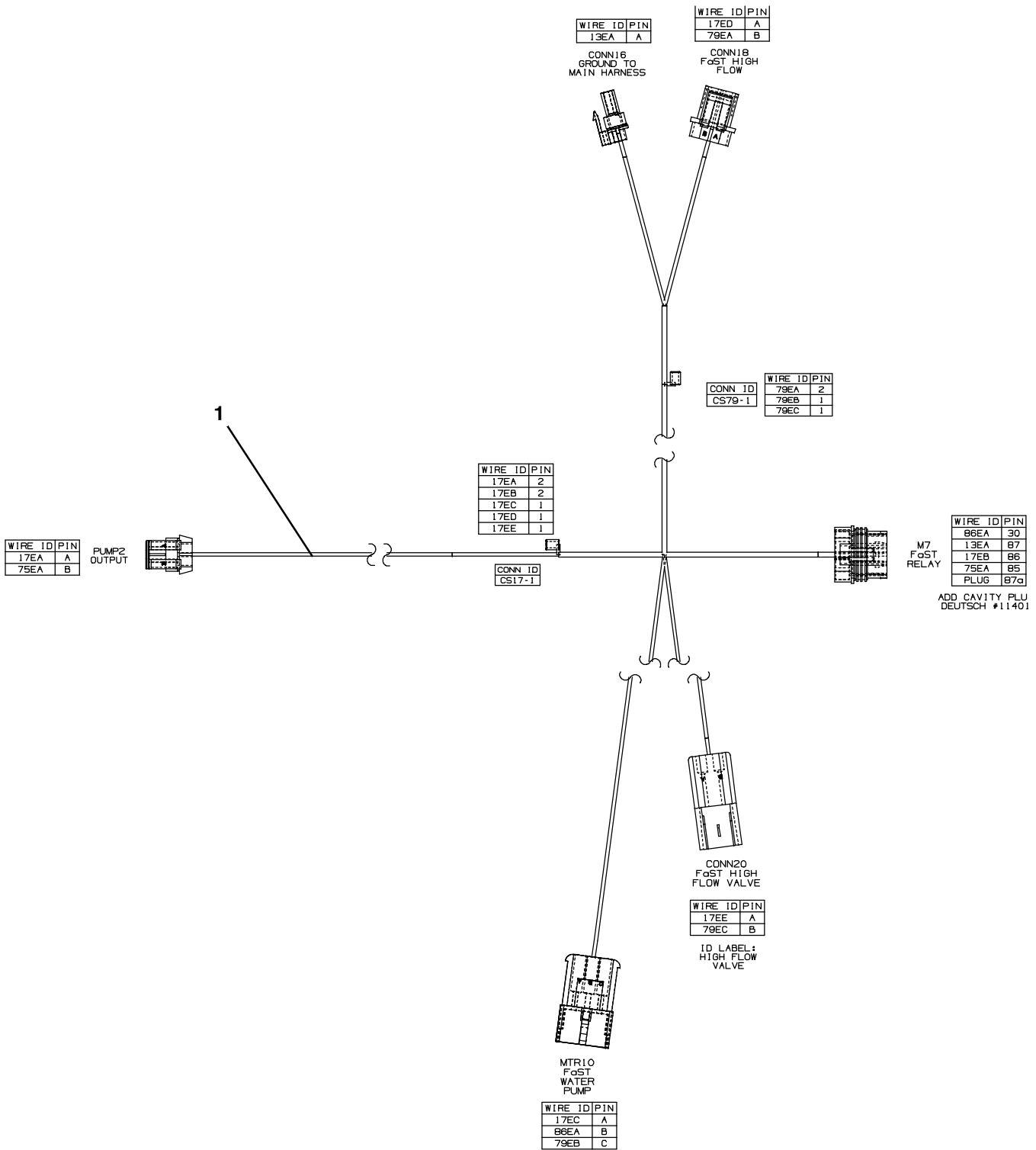


Fig. 15 - FaST Solution Supply Group with Side Brush (002533-)

Ref.	Part No.	Serial Number	Description	Qty.
1	1010668	(002533-) Fitting, Plstc, Y, Bm08/Bm08/Bm08, Nyl	2
2	54333	(002533-) Clamp, Hose, Wormdrive, 0.31-0.88d, .31w	11
3	1015067	(002533-) Hose, Afmkt, Pvc, Clr, 0.50id, 08ft	1
4	1037825	(002533-) Valve, Solenoid, 12vdc, Water Flow	1
5	09200	(002533-) Screw, Pan, Phl, M5 X 0.80 X 12, Ss	2
6	63810	(002533-) Clamp, Hose, Wormdrive, 0.56-1.06d, .56w	5
7	763116	(002533-) Tie, Cable, Nyl, 15.3l . W 4.5 Max D	1
8	31543	(002533-) Hose, Heater, E90, 0.62id, 24.0 4.0	1
9	1011412	(002533-) Hose, Afmkt, Pvc, Brd, 0.50id, 08ft, Clr	1
10	1030511	(002533-) Plate, Mtg, Valve	1
11	01683	(002533-) Washer, Flat, 10, Ss	2
12	09739	(002533-) Nut, Hex, Lock, M5 X 0.80, NI, Ss	2
13	76099	(002533-) Screw, Hex, M8 X 1.25 X 25, Fmg	1

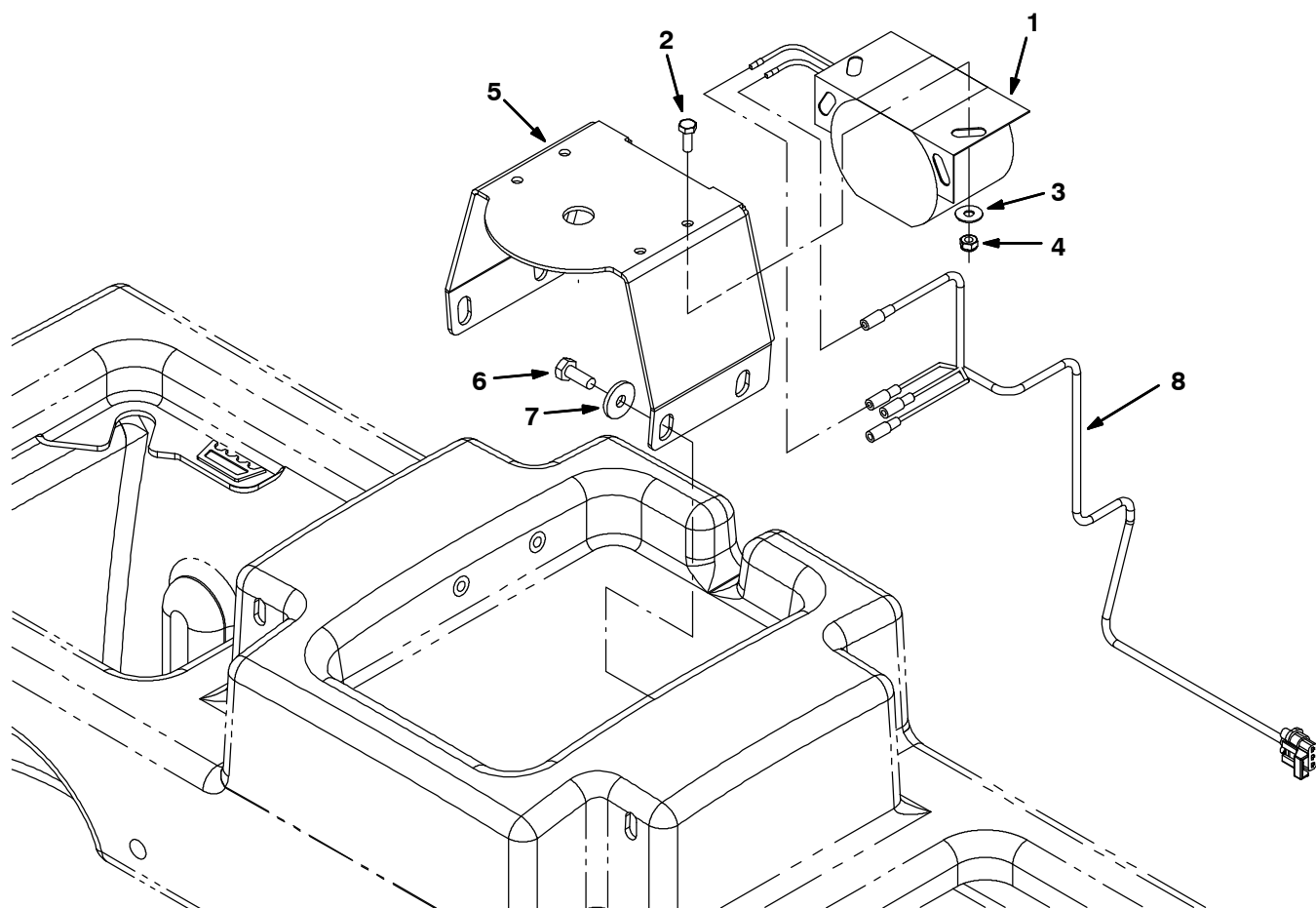
Fig. 16 - Fast Wire Harness Group (002533-)



354724

Ref.	Part No.	Serial Number	Description	Qty.
1	1037809	(002533-)	Harness, Wire [Fast Gen 2]	1

Fig. 17 - Backup Alarm Kit



354473

Ref.	Part No.	Serial Number	Description	Qty.
▽	9001321	(000000-) Alarm Kit, Backup, Ci [M20 And T20]	1
▲	1 61920	(000000-) Alarm Assy, Backup, 12-24vdc 82-107dba	1
▲	2 24196	(000000-) Screw, Pan, Phl, M5 X 0.80 X 20, Ss	2
▲	3 19066	(000000-) Washer, Flat, 10	2
▲	4 09739	(000000-) Nut, Hex, Lock, M5 X 0.80, NI, Ss	2
▲	5 1019445	(000000-) Bracket, Sppt, Revl Light	1
▲	6 09740	(000000-) Screw, Hex, M8 X 1.25 X 20, Ss	4
▲	7 1017218	(000000-) Washer, Flat, 0.32b 1.00d .12, Ss	4
▲	8 1019971	(000000-) Harness, Warning / Backup [M20 & T20]	1

Fig. 18 - Light Kit, Flashing

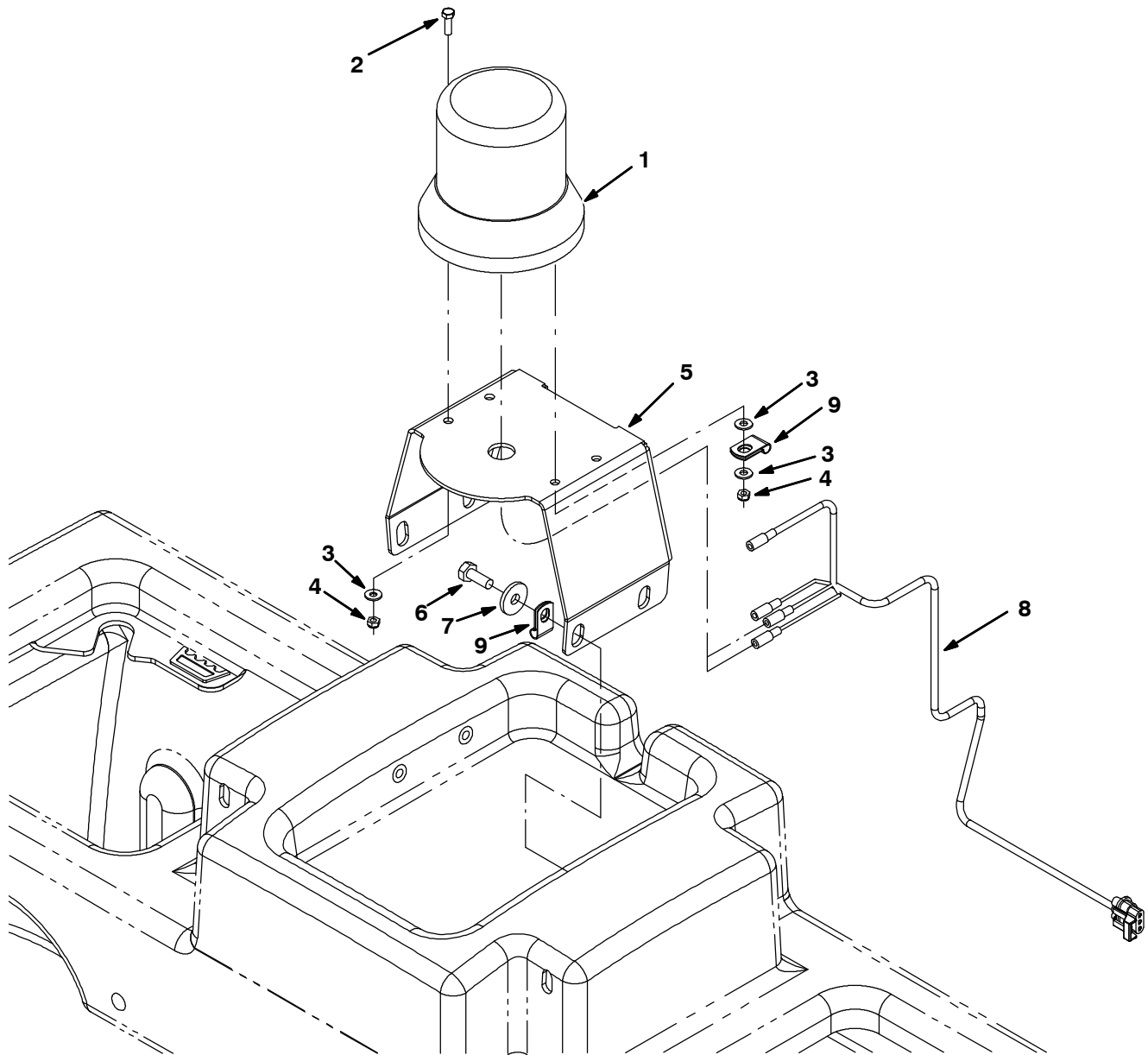


Fig. 18 - Light Kit, Flashing

Ref.	Part No.	Serial Number	Description	Qty.
▽	9001327	(000000-) Light Kit, Flsh, Ci [M20 And T20]	1
▲▽	1 1017248	(000000-) Lamp, Flasher, Amb [12-48 Vdc]	1
▲▲	9000879	(000000-) Lens, Lamp, Amb, Strobe/Flasher	1
▲▲	9000845	(000000-) Lamp, Bulb, Lamp, Flsh	1
▲▲	1027800	(000000-) Lens, Blue, Option, F/ Revl / Flsh Light	1
▲▲	1027798	(000000-) Lens, Red, Option, F/ Revl / Flsh Light	1
▲	55272	(000000-) Terminal, Bullet, Mal, .157d, 12ga	2
▲	2 24196	(000000-) Screw, Pan, Phl, M5 X 0.80 X 20, Ss	2
▲	3 19066	(000000-) Washer, Flat, 10	2
▲	4 09739	(000000-) Nut, Hex, Lock, M5 X 0.80, NI, Ss	2
▲	5 1019445	(000000-) Bracket, Sppt, Revl Light	1
▲	6 09740	(000000-) Screw, Hex, M8 X 1.25 X 20, Ss	4
▲	7 1017218	(000000-) Washer, Flat, 0.32b 1.00d .12, Ss	4
▲	8 1019971	(000000-) Harness, Warning / Backup [M20 & T20]	1
▲	9 46236	(000000-) Clamp, Cable, Stl, 0.25D X 0.56W, 1Hole	2

Fig. 19 - Light Kit, Revolving

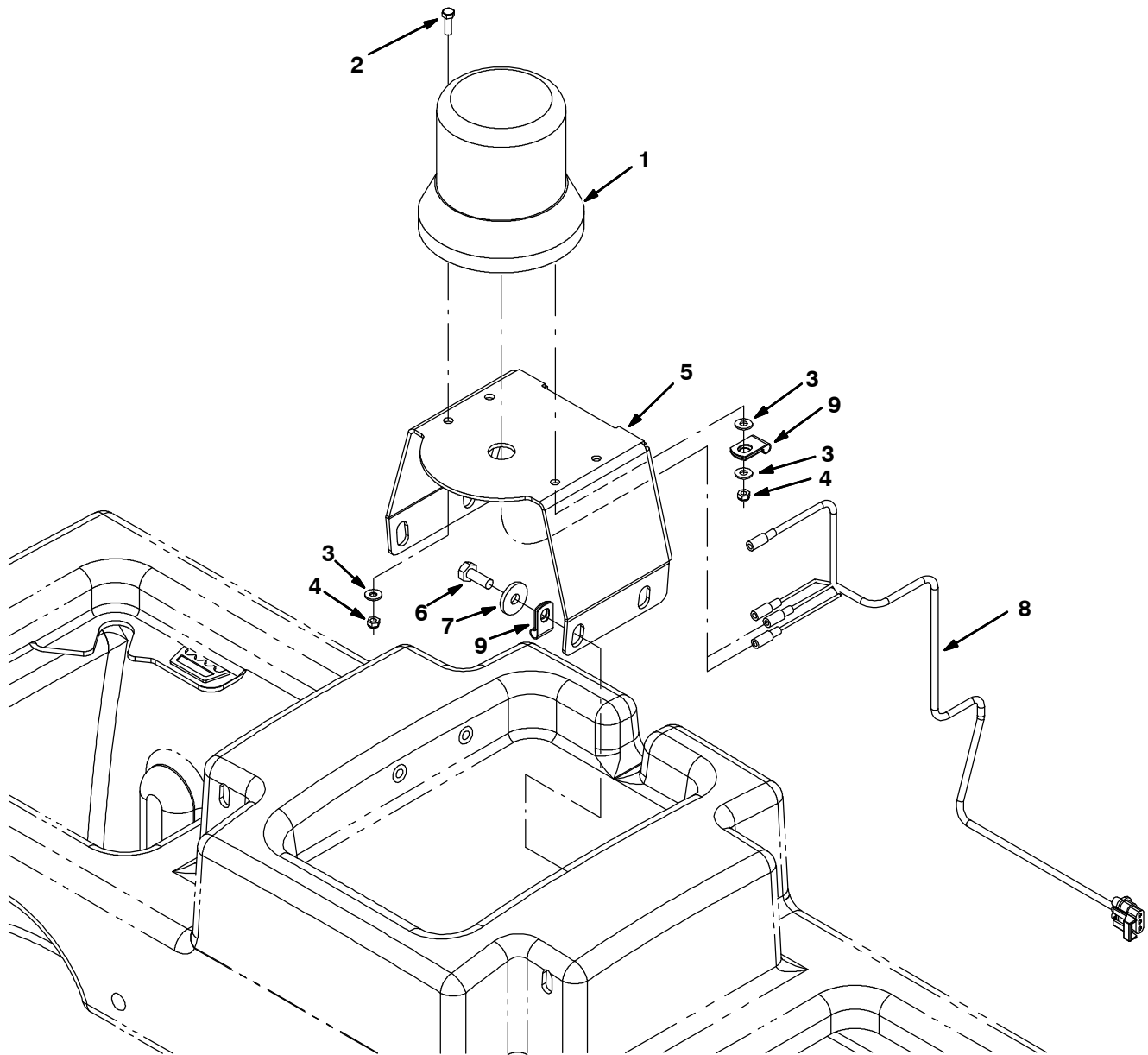
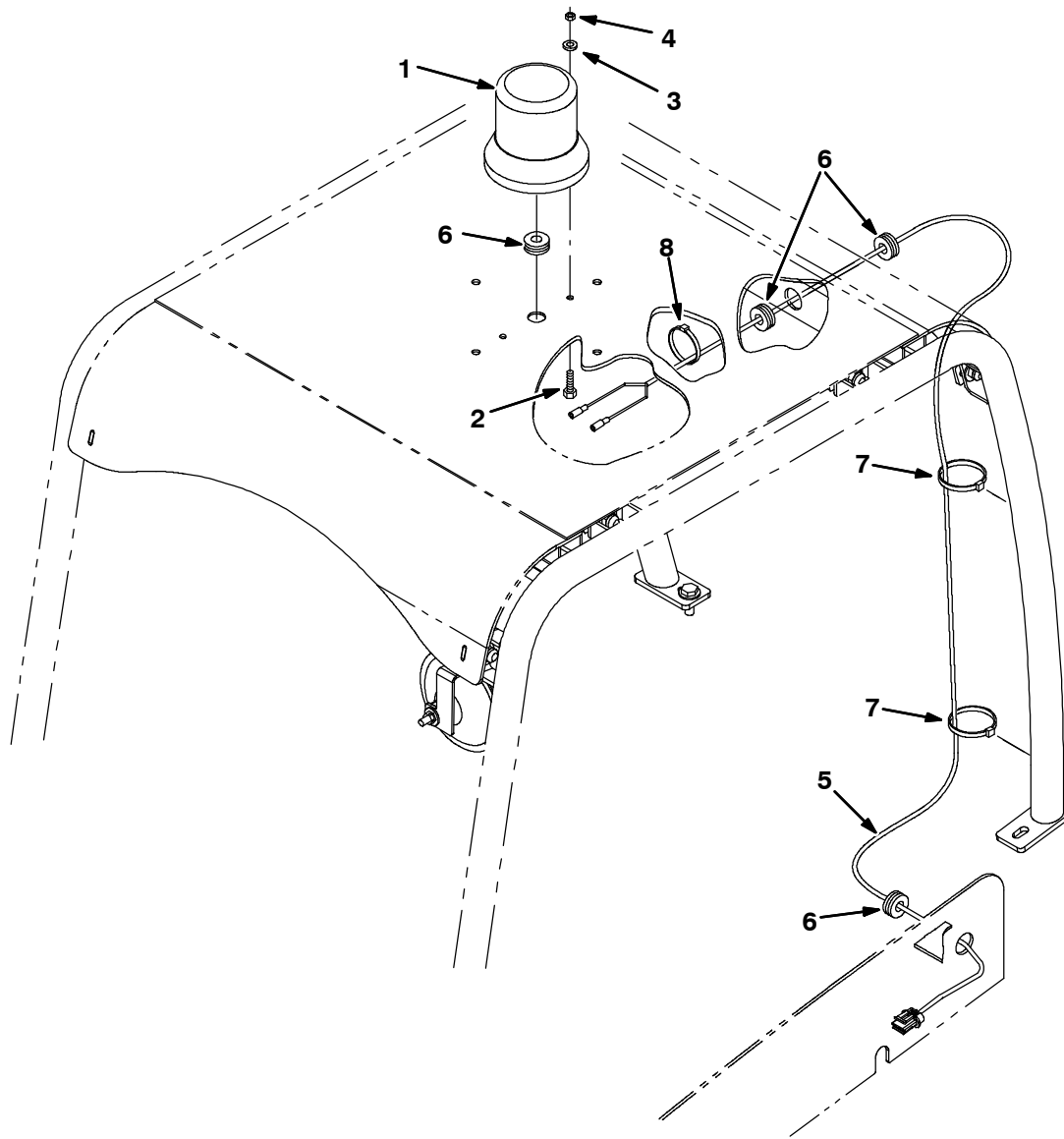


Fig. 19 - Light Kit, Revolving

	Ref.	Part No.	Serial Number	Description	Qty.
▽		9001331	(000000-) Light Kit, Revl, Ci [M20 And T20]	1
▲▽	1	1017250	(000000-) Lamp Strobe, Amb [12-48 Vdc]	1
▲▲		9000879	(000000-) Lens, Lamp, Amb, Strobe/Flasher	1
▲▲		9000846	(000000-) Lamp, Bulb, Lamp, Strobe	1
▲▲		1027800	(000000-) Lens, Blue, Option, F/ Revl / Flsh Light	1
▲▲		1027798	(000000-) Lens, Red, Option, F/ Revl / Flsh Light	1
▲		55272	(000000-) Terminal, Bullet, Mal, .157d, 12ga	2
▲	2	24196	(000000-) Screw, Pan, Phl, M5 X 0.80 X 20, Ss	2
▲	3	19066	(000000-) Washer, Flat, 10	2
▲	4	09739	(000000-) Nut, Hex, Lock, M5 X 0.80, NI, Ss	2
▲	5	1019445	(000000-) Bracket, Sppt, Revl Light	1
▲	6	09740	(000000-) Screw, Hex, M8 X 1.25 X 20, Ss	4
▲	7	1017218	(000000-) Washer, Flat, 0.32b 1.00d .12, Ss	4
▲	8	1019971	(000000-) Harness, Warning / Backup [M20 & T20]	1
▲	9	46236	(000000-) Clamp, Cable, Stl, 0.25D X 0.56W, 1Hole	2

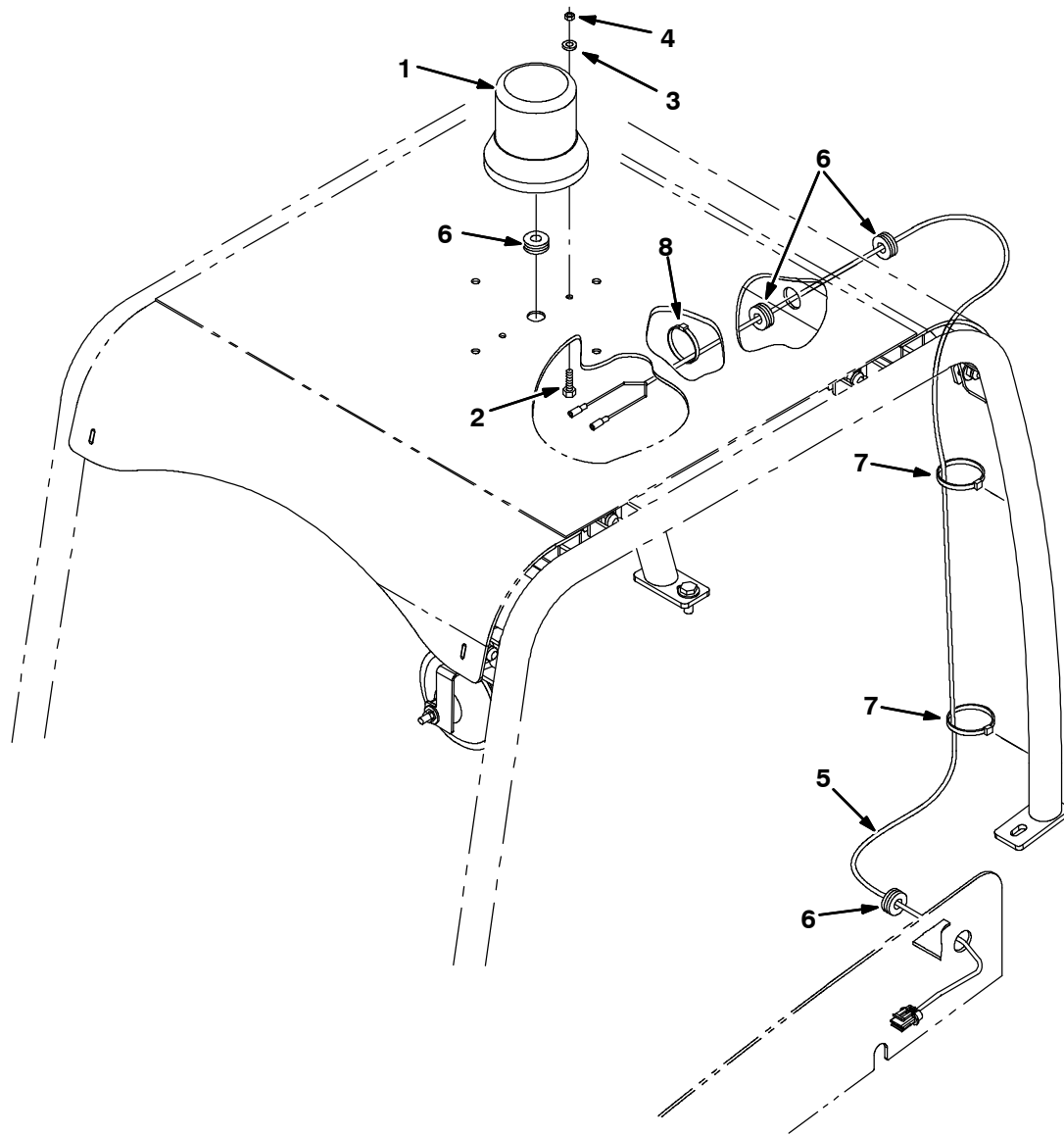
Fig. 20 - Light Kit, Flashing Overhead Guard



354477

Ref.	Part No.	Serial Number	Description	Qty.
▽	9001718	(000000-) Light Kit, Flsh, W/Ohg, Ci[M20 And T20]	1
▲▽	1 1017248	(000000-) Lamp, Flasher, Amb [12-48 Vdc]	1
▲▲	9000879	(000000-) Lens, Lamp, Amb, Strobe/Flasher	1
▲▲	9000845	(000000-) Lamp, Bulb, Lamp, Flsh	1
▲▲	1027800	(000000-) Lens, Blue, Option, F/ Revl / Flsh Light	1
▲▲	1027798	(000000-) Lens, Red, Option, F/ Revl / Flsh Light	1
▲	55272	(000000-) Terminal, Bullet, Mal, .157d, 12ga	2
▲	2 24196	(000000-) Screw, Pan, Phl, M5 X 0.80 X 20, Ss	2
▲	3 19066	(000000-) Washer, Flat, 10	2
▲	4 09739	(000000-) Nut, Hex, Lock, M5 X 0.80, NI, Ss	2
▲	5 1019647	(000000-) Harness, Warning / Ohg [M20]	1
▲	6 10632-17	(000000-) Grommet, Rbr, 0.50id, F/0.8h, .12 Matl	4
▲	7 763115	(000000-) Tie, Cable, 6.0l, 1.25d Max	4
▲	8 49266	(000000-) Tie, Cable, Nyl, 07.3l .19w 1.8 Max D	2

Fig. 21 - Light Kit, Revolving Overhead Guard



354477

Ref.	Part No.	Serial Number	Description	Qty.
▽	9001717	(000000-) Light Kit, Revl, W/Ohg, Ci [M20 And T20]	1
▲▽	1 1017250	(000000-) Lamp Strobe, Amb [12-48 Vdc]	1
▲▲	9000879	(000000-) Lens, Lamp, Amb, Strobe/Flasher	1
▲▲	9000846	(000000-) Lamp, Bulb, Lamp, Strobe	1
▲▲	1027800	(000000-) Lens, Blue, Option, F/ Revl / Flsh Light	1
▲▲	1027798	(000000-) Lens, Red, Option, F/ Revl / Flsh Light	1
▲	55272	(000000-) Terminal, Bullet, Mal, .157d, 12ga	2
▲	2 24196	(000000-) Screw, Pan, Phl, M5 X 0.80 X 20, Ss	2
▲	3 19066	(000000-) Washer, Flat, 10	2
▲	4 09739	(000000-) Nut, Hex, Lock, M5 X 0.80, NI, Ss	2
▲	5 1019647	(000000-) Harness, Warning / Ohg [M20]	1
▲	6 10632-17	(000000-) Grommet, Rbr, 0.50id, F/0.8h, .12 Matl	4
▲	7 763115	(000000-) Tie, Cable, 6.0l, 1.25d Max	4
▲	8 49266	(000000-) Tie, Cable, Nyl, 07.3l .19w 1.8 Max D	2

Fig. 22 - Overhead Guard Kit

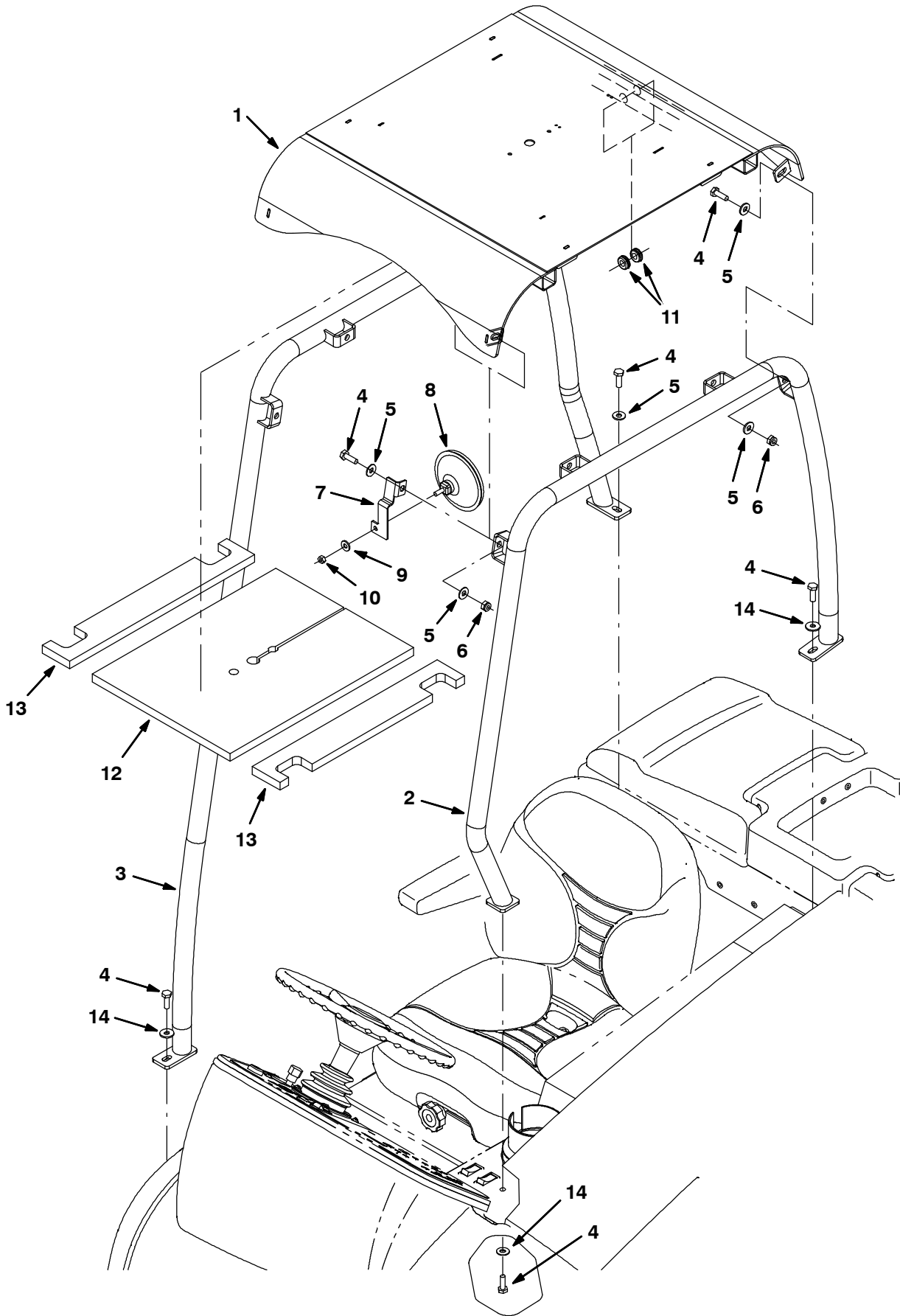


Fig. 22 - Overhead Guard Kit

	Ref.	Part No.	Serial Number	Description	Qty.
▽		9001314	(000000-) Ohg Kit, Ci [M20 And T20]	1
▲	1	1022276	(000000-) Guard Wldt, Top, Ohg	1
▲	2	1022265	(000000-) Tube Wldt, Leg, Ohg, Lh, Pntd	1
▲	3	1022266	(000000-) Tube Wldt, Leg, Ohg, Rh, Pntd	1
▲	4	03192	(000000-) Screw, Hex, M10 X 1.5 X 30, 8.8	12
▲	5	32492	(000000-) Washer, Flat, 0.38 Std	17
▲	6	41430	(000000-) Nut, Hex, Lock, M10 X 1.5, NI	8
▲	7	1023879	(000000-) Bracket, Mtg, Mirror, Rearview	1
▲	8	1050295	(000000-) Mirror, Convex, 0.50D	1
▲	9	32491	(000000-) Washer, Flat, 0.31, Std	1
▲	10	19313	(000000-) Nut, Hex, Std, .31-18	1
▲	11	10632-17	(000000-) Grommet, Rbr, 0.50id, F/0.8h, .12 Matl	2
▲	12	1032830	(000000-) Insulation	1
▲	13	1032831	(000000-) Insulation	2
▲	14	1014563	(000000-) Washer, Flat, 0.40b 1.12d .12, Ss	3

Fig. 23 - Vacuum Wand Kit (000000-002406)

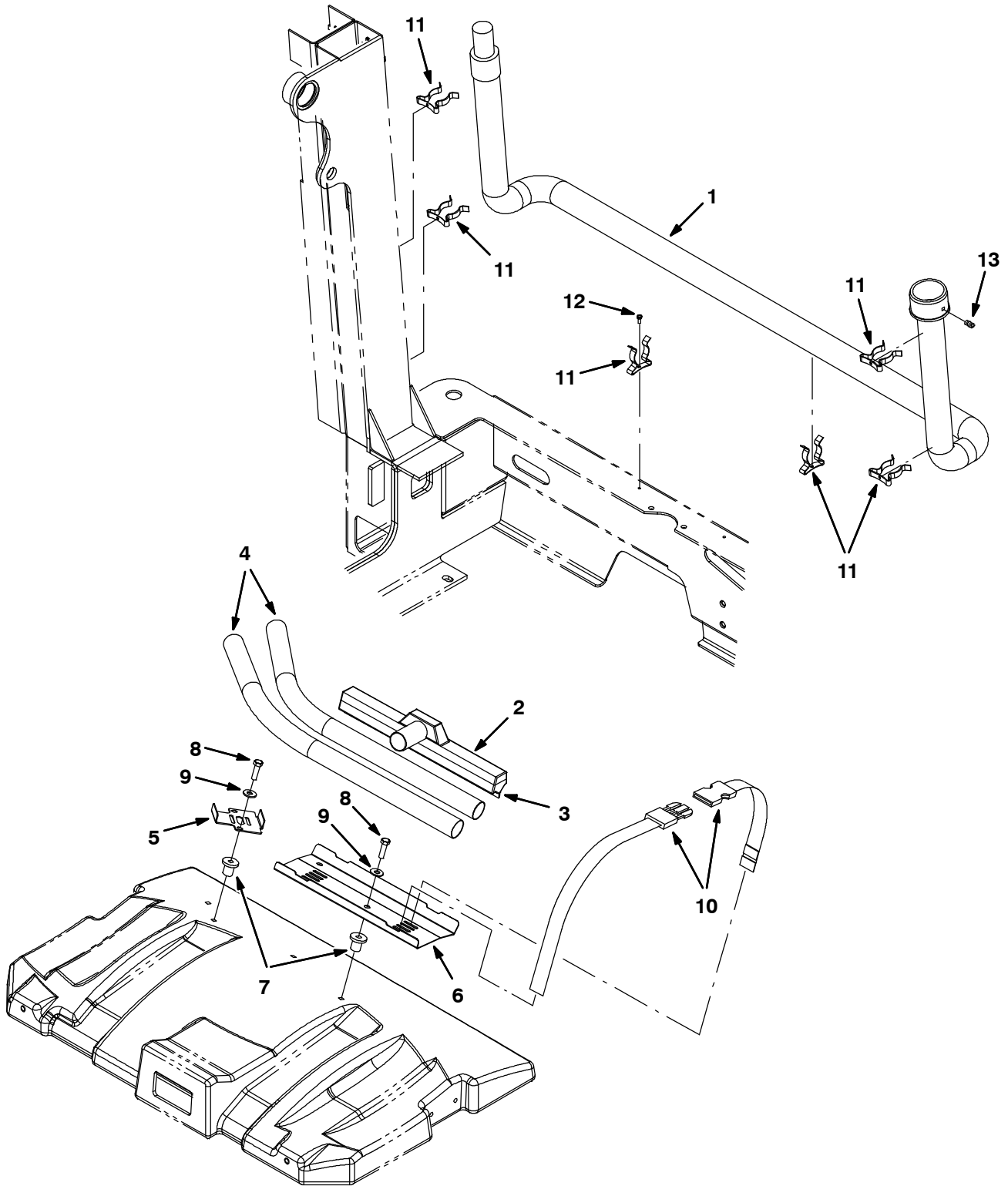


Fig. 23 - Vacuum Wand Kit (000000-002406)

	Ref.	Part No.	Serial Number	Description	Qty.
▽		9001334	(000000-002406)	Wand Kit, Vacuum, Ci [M20]	1
▲	1	69657	(000000-002406)	Hose Assy, W/2cuff, 1.5d 84l [Vacwand]	1
▲	2	63451	(000000-002406)	Nozzle, Wand, Plstc, 14.0lg	1
▲	3	63430	(000000-002406)	Shoe, Plstc, Sqge, 14.0	1
▲	4	63448	(000000-002406)	Tube, Wand, Vacuum, Metal [1pick=1box]	1
▲	5	1030549	(000000-002406)	Bracket, Mtg, Vacuum Wand	1
▲	6	1026146	(000000-002406)	Plate, Mtg, Vacuum Wand	1
▲	7	397648	(000000-002406)	Nut, Isolator, .38-16 Wall Th .015-.437	4
▲	8	21198	(000000-002406)	Screw, Hex, .38-16 X 1.25, 5	4
▲	9	32492	(000000-002406)	Washer, Flat, 0.38 Std	4
▲	10	367974	(000000-002406)	Strap, Pyp, 0.07 1.0w 18.5l, W/ Buckle	3
▲	11	67004	(000000-002406)	Clip, Grip, Finger, 1.00-1.88d White,Vyl	6
▲	12	55845	(000000-002406)	Screw, Hex, M5 X 0.8 X 16, Fmg	6
▲	13	69659	(000000-002406)	Plunger	1

Fig. 24 - Vacuum Wand Kit (002407-)

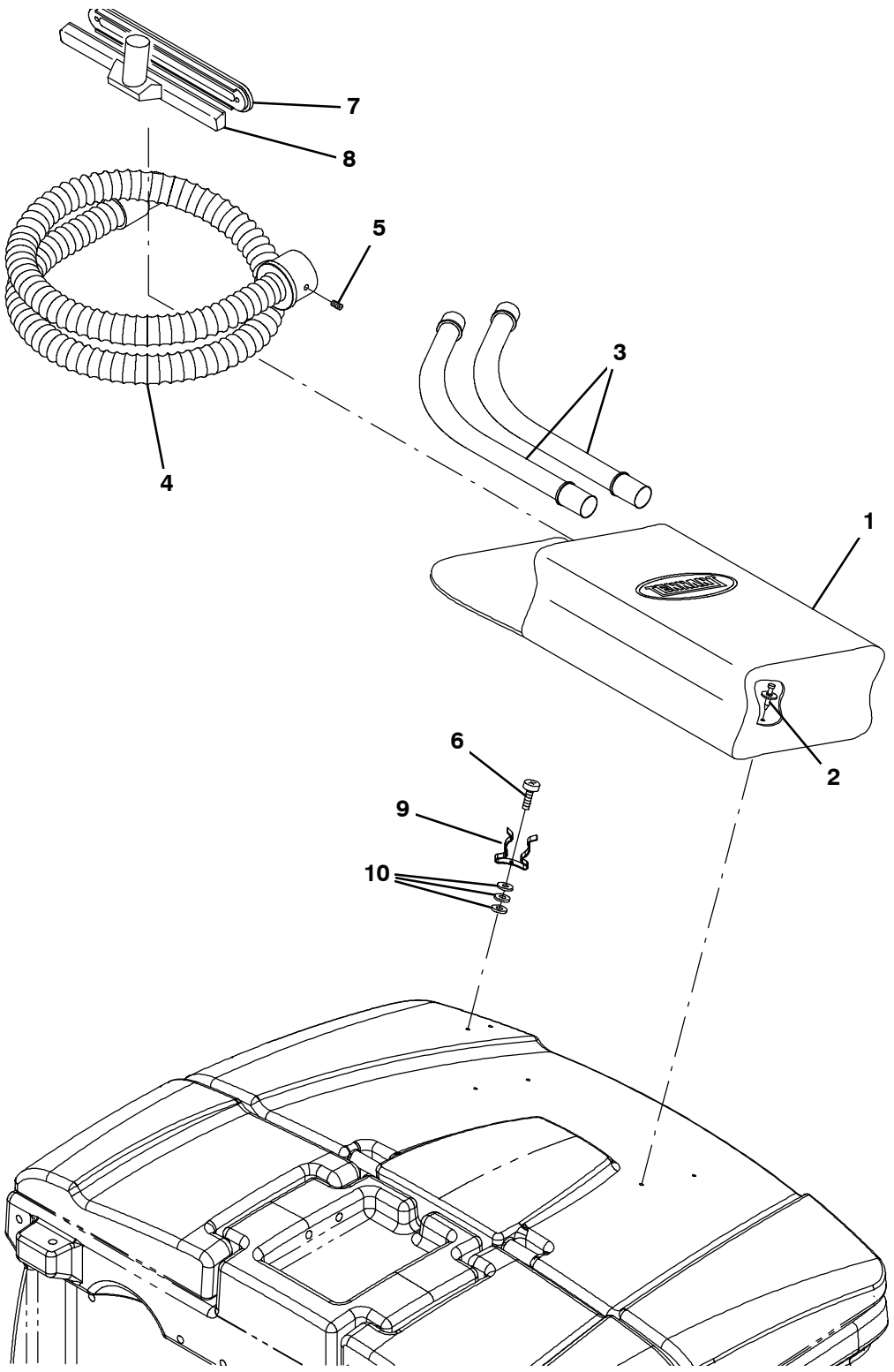


Fig. 24 - Vacuum Wand Kit (002407-)

	Ref.	Part No.	Serial Number	Description	Qty.
▽		9001334	(002407-) Wand Kit, Vacuum, Ci [M20]	1
▲	1	65580	(002407-) Bag, Power	1
▲	2	72968	(002407-) Rivet, Plstc, .250d X 0.90	4
▲	3	63448	(002407-) Tube, Wand, Vacuum, Metal	1
▲	4	69657	(002407-) Hose Assy, W/2cuff, 1.5d 084l [Vacwand]	1
▲	5	69659	(002407-) Plunger	1
▲	6	55845	(002407-) Screw, Hex, M5 X 0.80 X 16, Fmg	2
▲	7	63430	(002407-) Shoe, Plstc, Sqge, 14.0	1
▲	8	63451	(002407-) Nozzle, Wand, Plstc, 14.0l	1
▲	9	67004	(002407-) Clip, Grip, Finger, 1.00-1.88d White,Vyl	2
▲	10	19064	(002407-) Washer, Flat, 06	6

Fig. 25 - Spray Nozzle Kit

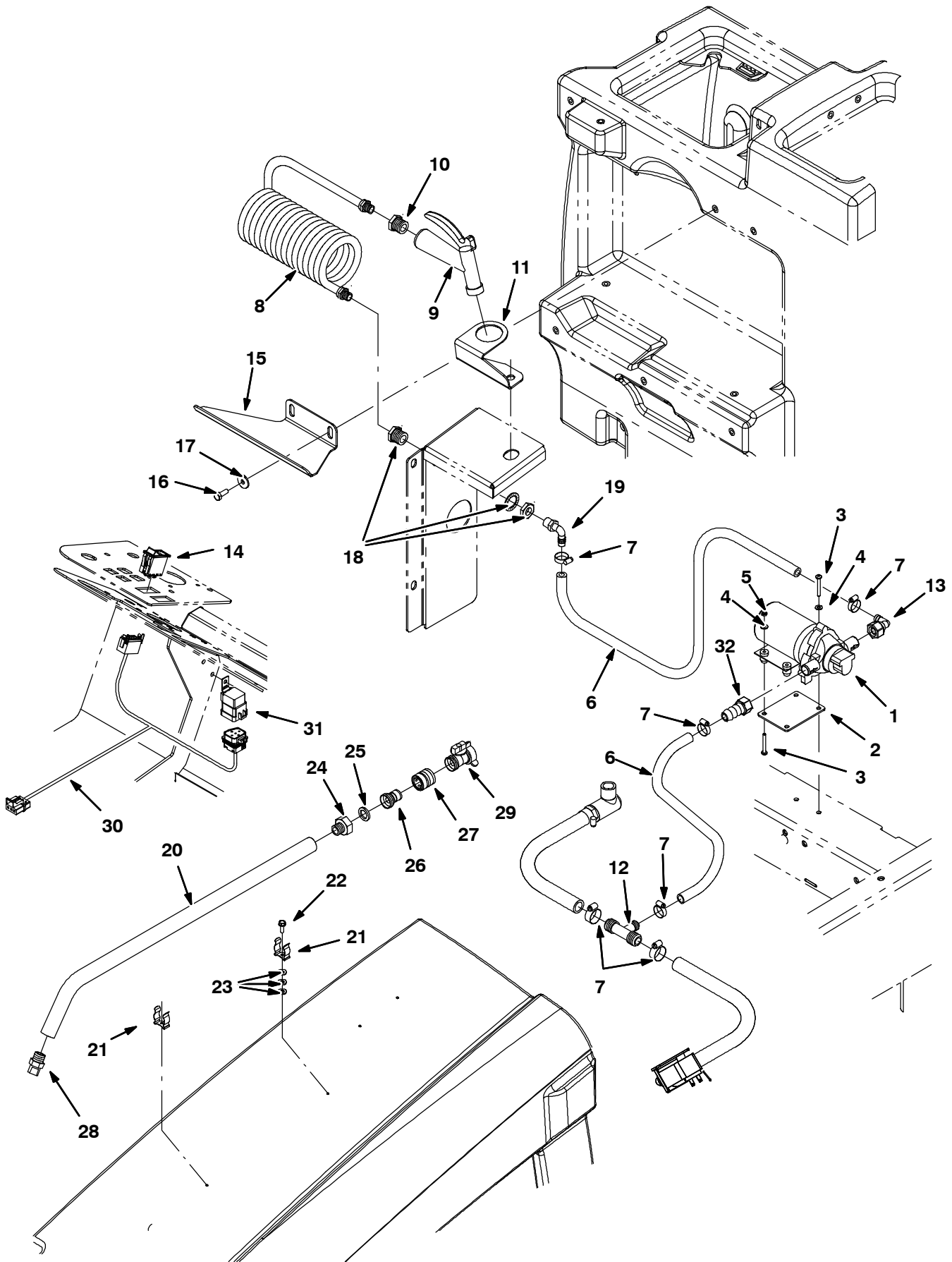


Fig. 25 - Spray Nozzle Kit

Ref.	Part No.	Serial Number	Description	Qty.
▽	9001310	(000000-) Nozzle Kit, Spray, Ci	1
▲	1 1026743	(000000-) Pump, Diaphragm (See Breakdown)	1
▲	2 1027007	(000000-) Plate, Mtg, Pump	1
▲	3 06939	(000000-) Screw, Pan, M5 X 0.80 X 45, 4.8	4
▲	4 19066	(000000-) Washer, Flat, #10	4
▲	5 06549	(000000-) Nut, Hex, Lock, M5 X 0.80, NI	2
▲	6 1015045	(000000-) Hose, Afmkt, Pvc, Brd, 0.75id, 08ft, Clr	1
▲	7 63810	(000000-) Clamp, Hose, Wormdrive, 0.56-1.06d, .56w	6
▲	8 1019250	(000000-) Hose, Water, Coil	1
▲	9 769785	(000000-) Nozzle, Spray, Gun	1
▲	10 1027976	(000000-) Fitting, Brs, Str, Pf06/Pm12	1
▲	11 1027237	(000000-) Bracket, Mtg, Spray Handle	1
▲	12 385644	(000000-) Fitting, Plstc, Tee, Bm08/Bm12/Bm12, Br	1
▲	13 1018499	(000000-) Fitting, Plstc, E90, Bm08/Pf08s, Swivel	1
▲	14 398500	(000000-) Switch, Rocker, Dpdt On/None/On	1
▲	15 1029790	(000000-) Bracket, Mtg, Spray Wand [Fast, Conv]	1
▲	16 09740	(000000-) Screw, Hex, M8 X 1.25 X 20, Ss	2
▲	17 1017218	(000000-) Washer, Flat, 0.32b 1.00d .12, Ss	2
▲	18 1027978	(000000-) Fitting, Brs, Str, Pf06/Pf06 Bh	1
▲	19 64778	(000000-) Fitting, Plstc, E90, Bm08/Pm06	1
▲	20 1029055	(000000-) Wand, Clean-Out	1
▲	21 1029057	(000000-) Clip, Grip, Finger, .875-1.25	2
▲	22 20394	(000000-) Screw, Hex, #10-16 X 0.62, Fmg [Ab]	2
▲	23 01683	(000000-) Washer, Flat, #10, Ss	6
▲	24 375321	(000000-) Fitting, Brs, Str, Pm08/Garden Hose	1
▲	25 01316	(000000-) Washer, Flat, 0.66b 1.00d .12, Rbr	1
▲	26 1029153	(000000-) Nipple, Hose	1
▲	27 1029155	(000000-) Coupling, Nozzle, Spray	1
▲	28 1029156	(000000-) Nozzle	1
▲	29 1029399	(000000-) Valve, Shutoff	1
▲	30 1021881	(000000-) Harness, Spray, Nozzle	1
▲	31 56186	(000000-) Relay, 12vdc, 40a, Spdt N/O	1
▲	32 1018495	(000000-) Fitting, Plstc, Str, Bm08/Pf08s, Swivel	1

Fig. 26 - Transport Group

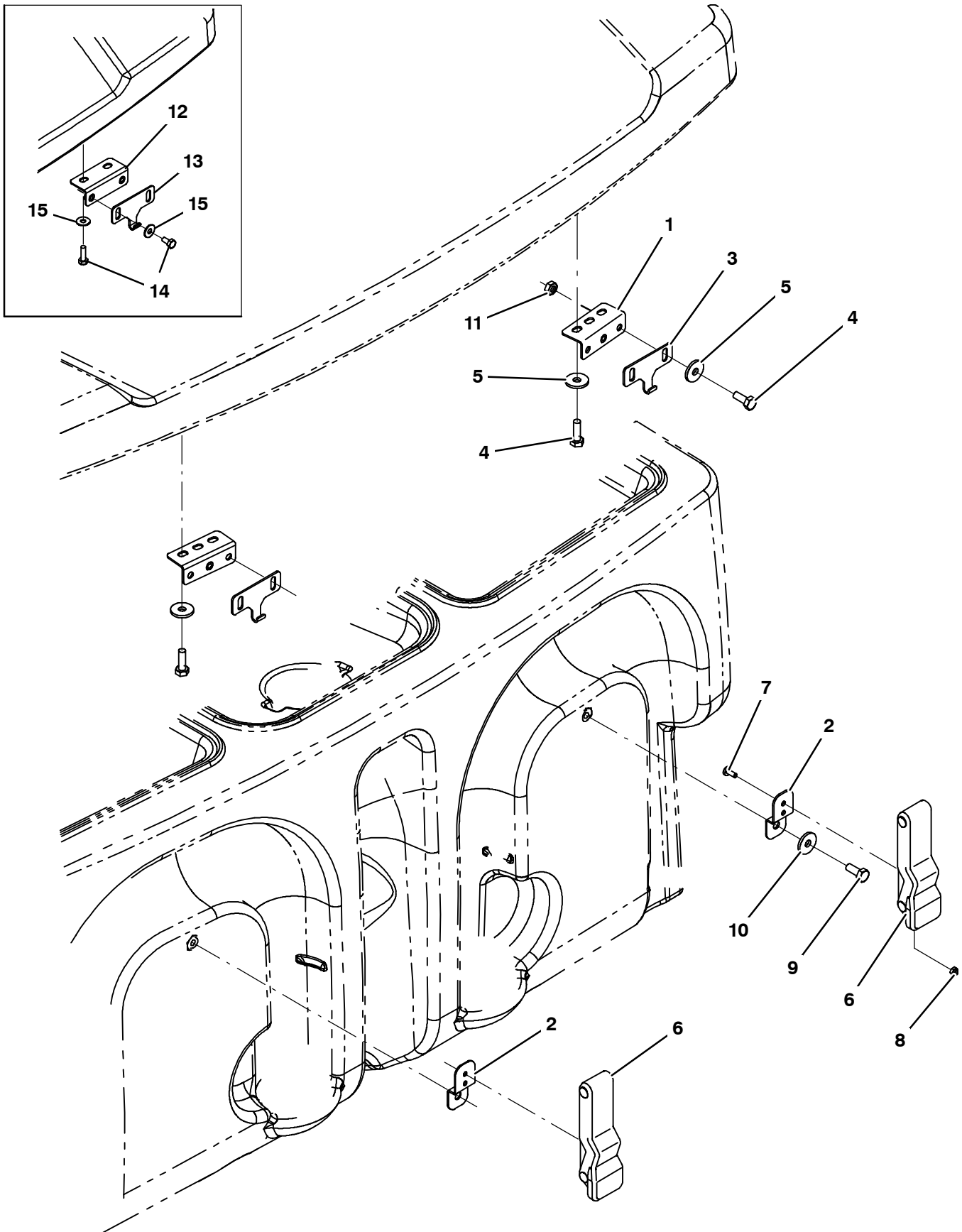


Fig. 26 - Transport Group

Ref.	Part No.	Serial Number	Description	Qty.
1	1040800	(002473-) Bracket, Latch, Cover	2
2	1020526	(000000-) Bracket, Retaining, Hose	2
3	1032896	(002473-) Plate, Hook, Latch, [M20]	2
4	09744	(002473-) Screw, Hex, M6 X 1.00 X 12, Ss	8
5	01684	(002473-) Washer, Flat, 0.27b 0.69d .05, Ss	8
6	360824	(000000-) Latch	2
7	09200	(000000-) Screw, Pan, Phl, M5 X 0.80 X 12, Ss	4
8	09739	(000000-) Nut, Hex, Lock, M5 X 0.80, NI, Ss	4
9	393135	(000000-) Screw, Btn, M8 X 1.25 X 20, Blk	2
10	32491	(000000-) Washer, Flat, 0.31, Std	2
11	08712	(002473-) Nut, Hex, Lock, M6 X 1.00, NI, Ss	4
12	1032869	(000000-002472) Bracket, Latch, Cover	2
13	1032896	(000000-002472) Plate, Hook, Latch, [M20]	2
14	09744	(000000-002472) Screw, Hex, M6 X 1.0 X 12, Ss	8
15	01684	(000000-002472) Washer, Flat, 0.25, Ss	8

Fig. 27 - Squeegee Guard Kit

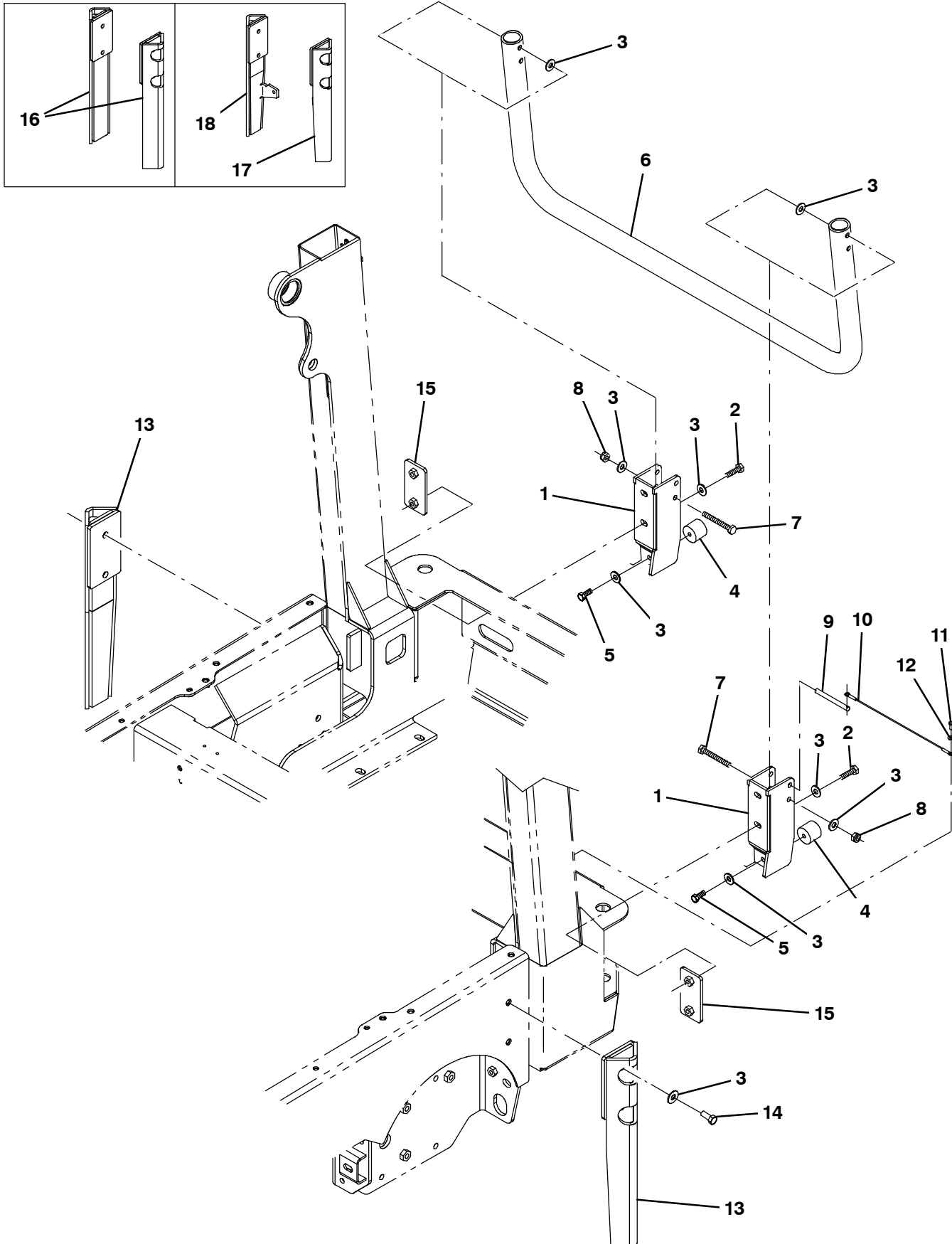
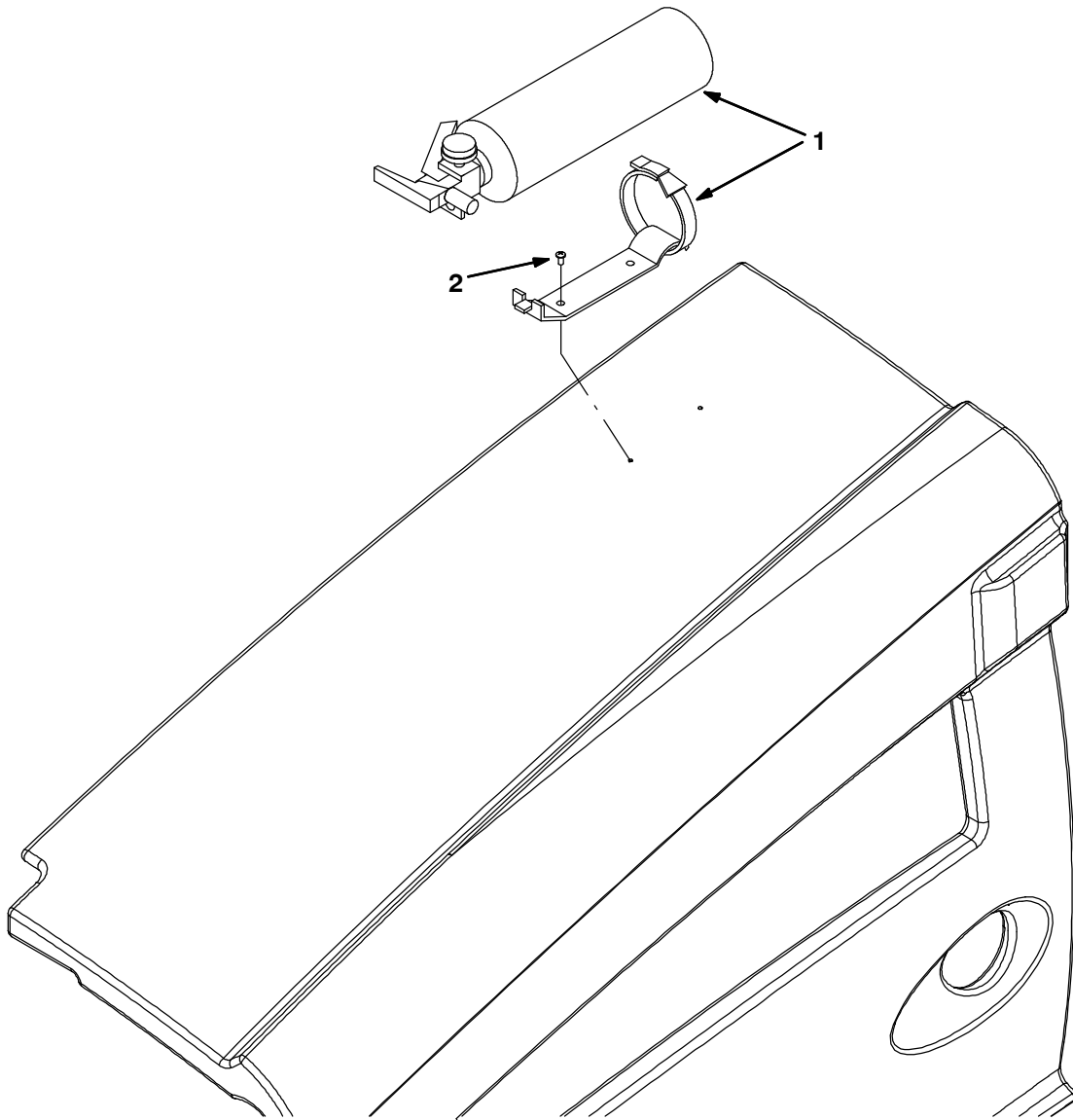


Fig. 27 - Squeegee Guard Kit

	Ref.	Part No.	Serial Number	Description	Qty.
▽		9001338	(000000-) Guard Kit, Sqge, Ci [M20]	1
▲	1	1027560	(000000-) Bracket Wldt, Guard, Sqge	2
▲	2	39284	(000000-) Screw, Hex, M10 X 1.5 X 35, 8.8	4
▲	3	32492	(000000-) Washer, Flat, 0.38 Std	14
▲	4	1024977	(000000-) Bumper, Ure, 1.50d 1.25l	2
▲	5	21196	(000000-) Screw, Hex, .38-16 X 0.88, 5	2
▲	6	1026746	(000000-) Guard Wldt, Sqge, Rear, Pntd	1
▲	7	06965	(000000-) Screw, Hex, M10 X 1.5 X 80, 8.8	2
▲	8	41430	(000000-) Nut, Hex, Lock, M10 X 1.5, NI	2
▲	9	369359	(000000-) Pin, Hitch, .375d X 3.12l, PI	1
▲	10	57702	(000000-) Cable, Glv .06d 012.0l .26eye /.26eye	1
▲	11	55845	(000000-) Screw, Hex, M5 X 0.8 X 16, Fmg	1
▲	12	01683	(000000-) Washer, Flat, #10, Ss	1
▲	13	1045444	(xxxxxx-) Guard Wldt, Sqge [M20/T20/M30]	2
▲	14	06962	(000000-) Screw, Hex, M10 X 1.5 X 45, 8.8	4
▲	15	1029543	(000000-) Plate, Mtg	2
	16	1025663	(000000-002435) Guard Wldt, Sqge	2
	17	1040863	(002436-xxxxxx) Guard Wldt, Sqge [M20/T20 Lh, M30 Rh]	1
	18	1040871	(002436-xxxxxx) Guard Wldt, Sqge [M20/T20 Rh, M30 Lh]	1

Fig. 28 - Fire Extinguisher Kit



354484

Ref.	Part No.	Serial Number	Description	Qty.
	9001316	(000000-) Extinguisher Kit, Fire, Ci [M20 And T20]	1
1	25312	(000000-) Extinguisher, Fire, 2.5 Lb Dry	1
2	382320	(000000-) Screw, Pan, #12-16 X 0.50, F/ Plstc	2

Fig. 29 - Documentation Group

Ref.	Part No.	Serial Number	Description	Qty.
	331380	(000000-) Manual, Oprtr [M20 Gas/Lpg En]	1
	1032578	(000000-) Instr, Maint, Wall Chart [M20]	1
	331382	(000000-) Manual, Oprtr [M20 Gas/Lpg, Es, Na]	1
	331383	(000000-) Manual, Oprtr [M20 Gas/Lpg, Fr, Na]	1
	331381	(000000-) Manual, Parts [M20 Gas/Lpg En]	1
	331385	(000000-) Manual, Service [M20 En]	1
	1027759	(000000-) Video, Oprtr, Dvd [W/Checklist M20]	1
	372863	(000000-001999) Manual, Service, Eng[Gm1.6l Em Cert]	1
	371790	(000000-001999) Manual, Service, Eng [Gm1.6l]	1
	9003926	(002000-) Manual, Eng, Cd-Rom [Tier li,Gm1.6l]	1

SECTION 4

Contents	Page
Fig. 1 - Extended Scrub Pump Breakdown, 1021210	4-2
Fig. 2 - Hydraulic Motor Breakdown, 379609 ...	4-4
Fig. 3 - Hydraulic Pump Breakdown, 1024251 .	4-6
Fig. 4 - Hydraulic Motor Breakdown, 71729	4-8
Fig. 5 - Hydraulic Motor Breakdown, 1029379 .	4-9
Fig. 6 - Hydraulic Motor Breakdown, 53485 ...	4-10
Fig. 7 - Hydraulic Valve Breakdown, 1018936 .	4-11
Fig. 8 - Hydraulic Valve Breakdown, 1018938 .	4-12
Fig. 9 - Hydraulic Valve Breakdown, 1037805 .	4-14
Fig. 10 - Hydraulic Valve Breakdown, 1020394 .	4-16
Fig. 11 - Hydraulic Valve Breakdown, 1038566 .	4-18
Fig. 12 - Hydraulic Steering Valve Breakdown, 1024260	4-20
Fig. 13 - Metering Solution Pump Breakdown, 73260	4-22
Fig. 14 - Water Pump Breakdown, 1026743 ...	4-23
Fig. 15 - FaST Injector Assembly Breakdown, 9004515	4-24

Fig. 1 - Extended Scrub Pump Breakdown, 1021210

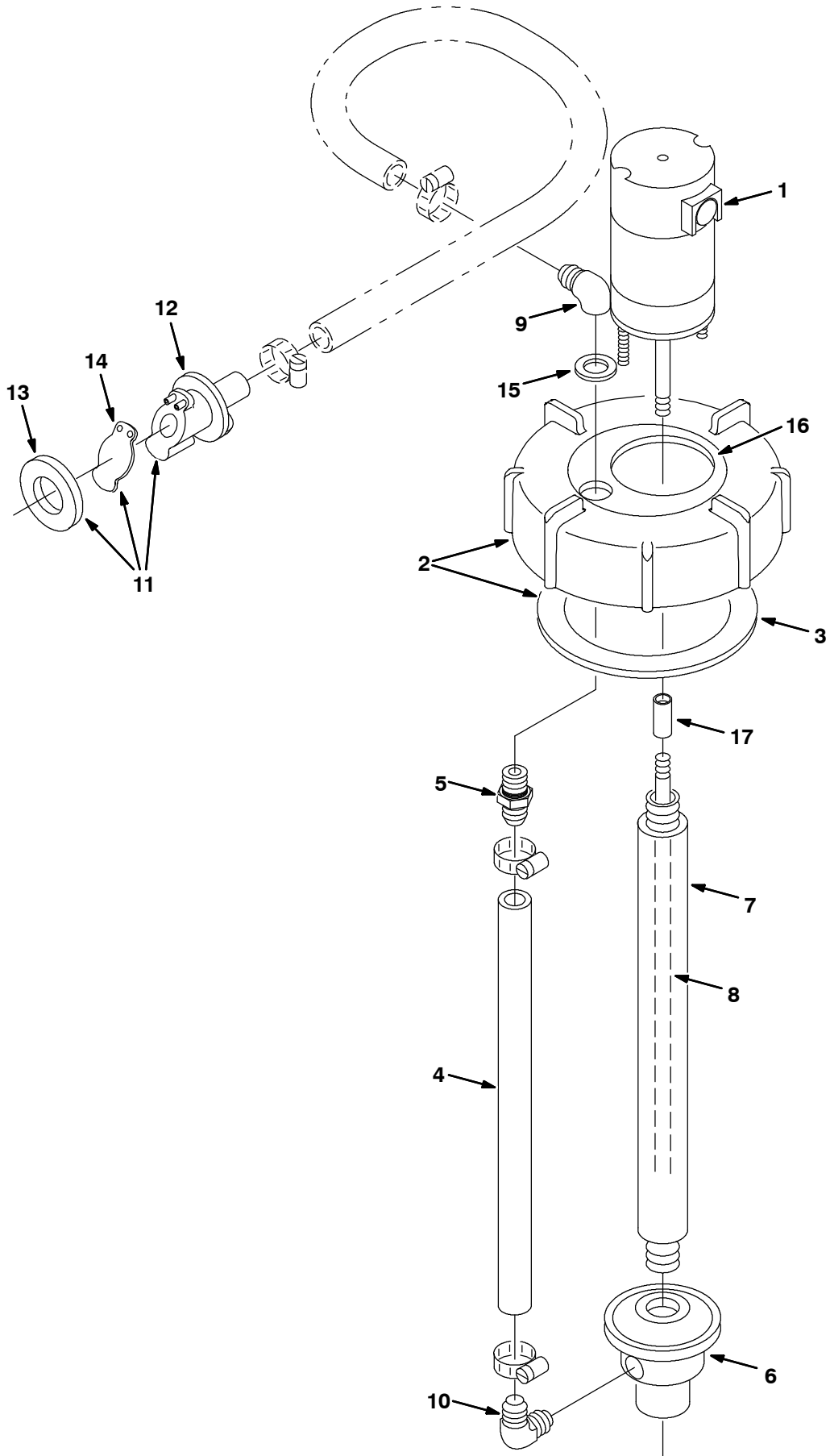


Fig. 1 - Extended Scrub Pump Breakdown, 1021210

	Ref.	Part No.	Serial Number	Description	Qty.
▽		1021210	(000000-) Pump Assy, Column, Es	1
▲▽	1	9002708	(000000-) Motor, Ele, 12vdc, Pump, Water	1
▲▲		78829	(000000-) Kit, Brush, Motor, Ele	1
▲▽	2	24358	(000000-) Cap Assy, Tank, Drain	1
▲▲	3	1031699	(000000-) Gasket, 4.05id 5.29od .19 [Buna]	1
▲	4	78833	(000000-) Tube, Vinyl, Pump, Water	1
▲	5	78398	(000000-) Fitting, Plstc, Str, Bm12/Pm08, Nyl	1
▲	6	78843	(000000-) Housing Kit, Pump, Water	1
▲	7	78836	(000000-) Column, Pump, Water	1
▲	8	9002709	(000000-) Shaft, Pump, Water	1
▲	9	78838	(000000-) Fitting, E, Gr	1
▲	10	78839	(000000-) Fitting, Plstc, E90, Pf Bm [Es Pump]	1
▲▽	11	78842	(000000-) Kit, Valve, Check, Pump, Water	1
▲▲	12	78840	(000000-) Valve, Check, Pump, Water	1
▲▲	13	73342	(000000-) Gasket, .25 1.88d 1.0id [Poron]	1
▲▲	14	78841	(000000-) Flapper, Valve, Pump, Water	1
▲	15	78830	(000000-) Washer, Rbr	1
▲	16	22790	(000000-) Insert, Cap, Mount, Es Pump	1
▲	17	23285	(000000-) Sleeve, Pump, Water	1

Fig. 2 - Hydraulic Motor Breakdown, 379609

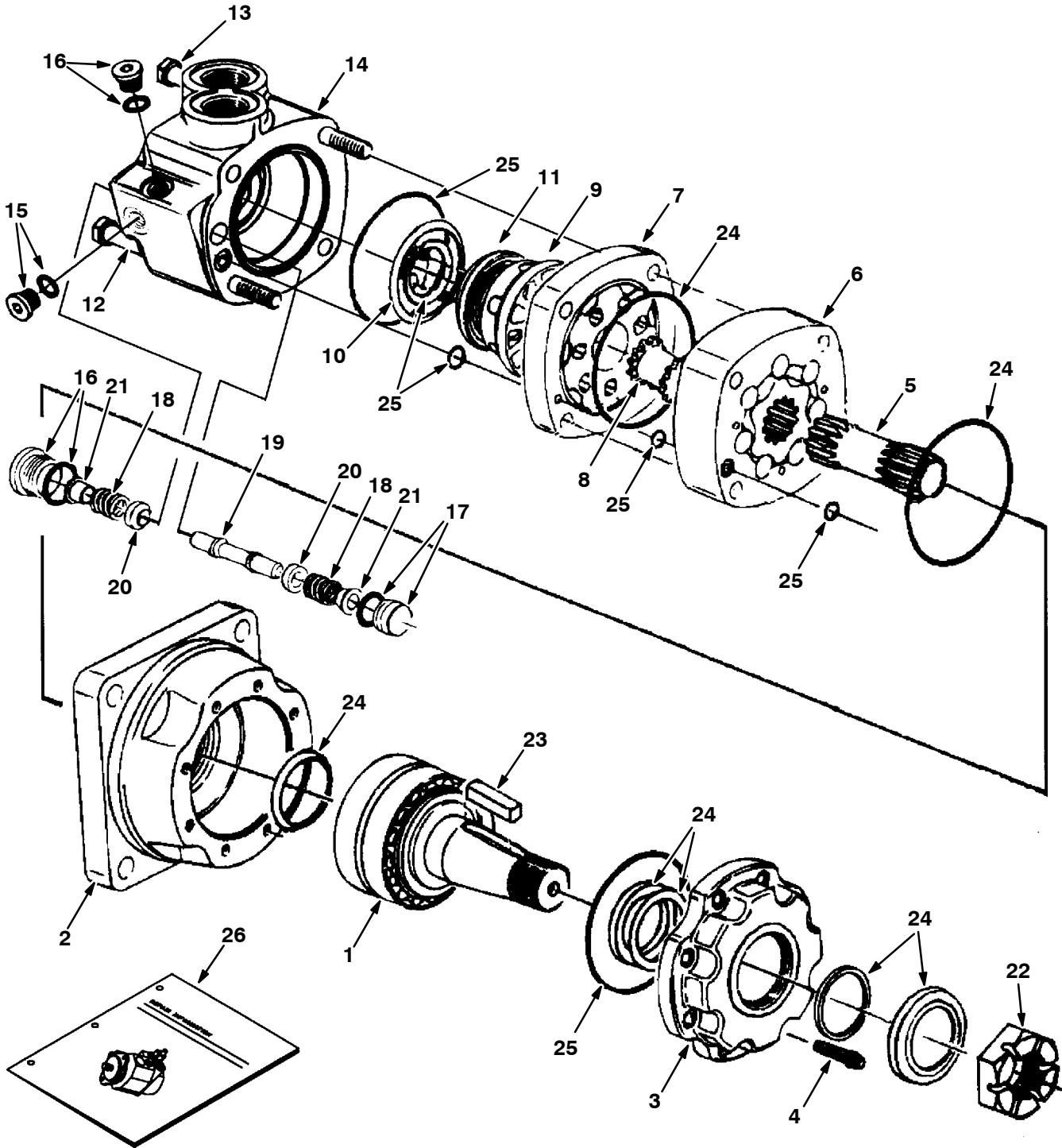


Fig. 2 - Hydraulic Motor Breakdown, 379609

Ref.	Part No.	Serial Number	Description	Qty.
▽	379609	(000000-) Motor, Hyd, Gear, [Int], 19.0 X 3000	1
▲	1 74165	(000000-) Shaft, Motor, Hyd	1
▲	2 74166	(000000-) Housing, Brg, Motor, Hyd	1
▲	3 74167	(000000-) Retainer, Motor, Hyd	1
▲	4 74168	(000000-) Screw, Cap, Motor, Hyd	8
▲	5 37616	(000000-) Drive, Motor, Hyd	1
▲	6 37756	(000000-) Geroler, Motor, Hyd	1
▲	7 74122	(000000-) Plate, Valve, Motor, Hyd	1
▲	8 52405	(000000-) Valve, Motor, Hyd	1
▲	9 74123	(000000-) Valve, Motor, Hyd	1
▲	10 34178	(000000-) Spring, Motor, Hyd	2
▲	11 38968	(000000-) Ring, Motor, Hyd	1
▲	12 74125	(000000-) Bolt, Motor, Hyd	3
▲	13 38255	(000000-) Bolt, Motor, Hyd	1
▲	14 373297	(000000-) Housing, Valve	1
▲	15 373298	(000000-) Plug	1
▲	16 373260	(000000-) Plug, Pump, Hyd, Gear	2
▲	17 373299	(000000-) Plug	1
▲	18 373291	(000000-) Spring	2
▲	19 373217	(000000-) Piston, Pump, Hyd, Gear	1
▲	20 373226	(000000-) Poppet, Pump, Hyd, Gear	2
▲	21 373236	(000000-) Sleeve, Dashpo, Pump, Hyd, Gear	2
▲	22 45622	(000000-) Nut, Motor, Hyd	1
▲	23 45623	(000000-) Key, Motor, Hyd	1
▲	24 79828	(000000-) Kit, Seal, Motor, Hyd	1
▲	25 33580	(000000-) Kit, Seal, Motor, Hyd	1
	26 79729	(000000-) Instr, Repair, Motor, Hyd, Gear	1

Fig. 3 - Hydraulic Pump Breakdown, 1024251

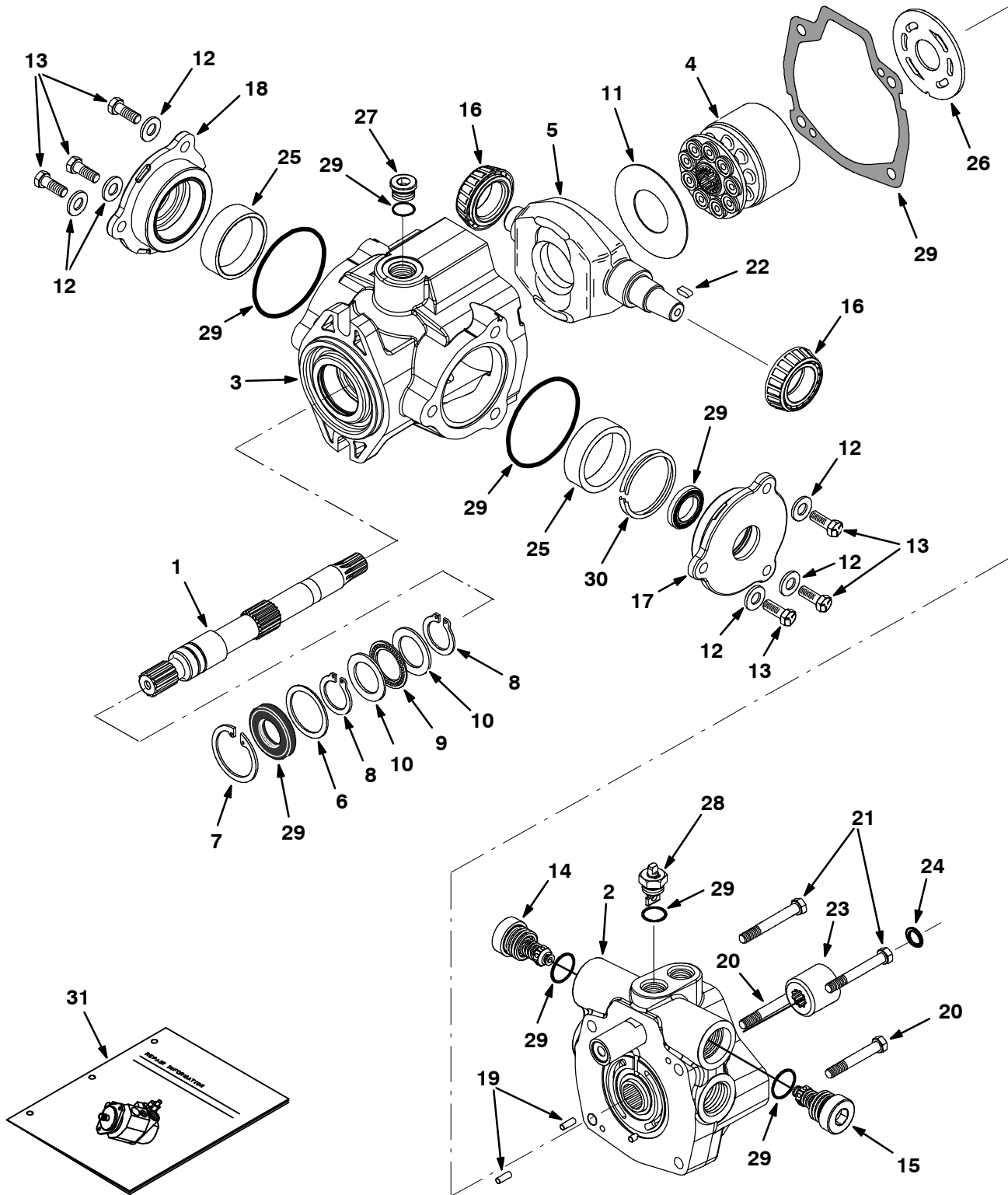
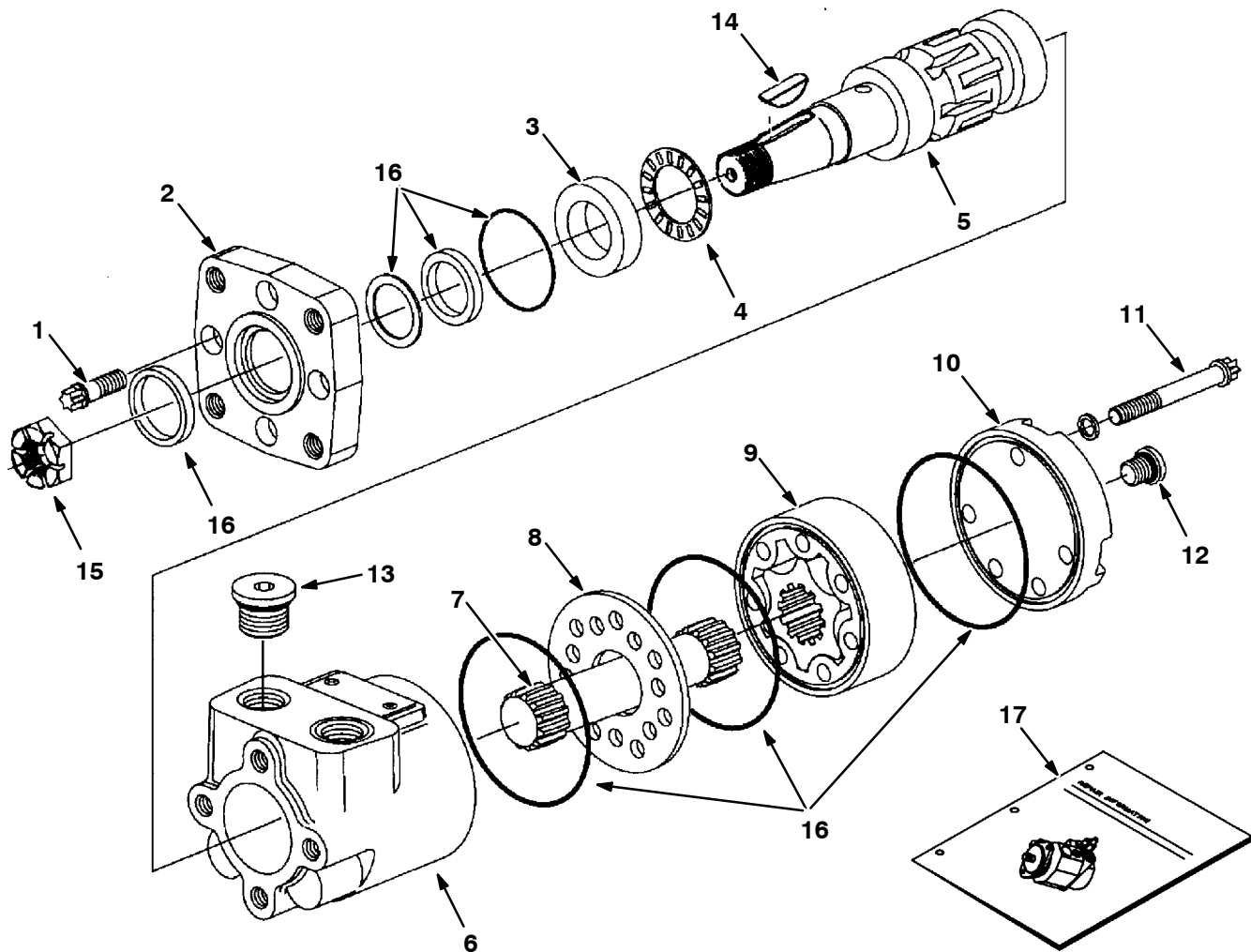


Fig. 3 - Hydraulic Pump Breakdown, 1024251

Ref.	Part No.	Serial Number	Description	Qty.	
▽	1024251	(000000-) Pump, Hyd, Piston, Var, 1.24 4000, Cw	1	
▲	1	373681	(000000-) Shaft, Pump	1
▲	2	373427	(000000-) Cover, End	1
▲	3	373389	(000000-) Housing	1
▲	4	02706	(000000-) Pump Kit, Hyd, Rotating [Cessna]	1
▲	5	373493	(000000-) Plate, Cam	1
▲	6	70096	(000000-) Washer, Flat, Pump, Hyd	1
▲	7	55926	(000000-) Ring, Retaining, Pump, Hyd	1
▲	8	373434	(000000-) Ring, Retaining	2
▲	9	74225	(000000-) Bearing, Thrust, Pump, Hyd	1
▲	10	74226	(000000-) Race, Brg, Pump, Hyd	2
▲	11	373327	(000000-) Insert, Plt, Cam, Pump, Hyd	1
▲	12	373391	(000000-) Washer, Pump, Hyd [En]	6
▲	13	373346	(000000-) Screw, Cap	6
▲	14	373494	(000000-) Valve, Relief, 4000 Psi	1
▲	15	373678	(000000-) Valve, Relief, 3000 Psi	1
▲	16	373317	(000000-) Bearing, Cone, Pump, Hyd	2
▲	17	373393	(000000-) Plate, Cover	1
▲	18	373394	(000000-) Plate, Cover	1
▲	19	70100	(000000-) Pin, Dowel, Pump, Hyd	2
▲	20	373347	(000000-) Screw, Cap	2
▲	21	373348	(000000-) Screw, Cap	2
▲	22	74237	(000000-) Key, Shaft, Pump, Hyd	1
▲	23	373679	(000000-) Coupler, Pump	1
▲	24	373680	(000000-) Ring, Lock	1
▲	25	373395	(000000-) Bearing, Cup	2
▲	26	74180	(000000-) Plate, Valve, Pump, Hyd	1
▲	27	13907	(000000-) Fitting, Hyd, Plug, Om08	1
▲	28	373413	(000000-) Actuator, Valve, By-Pass [En]	1
▲	29	373398	(000000-) Seal Kit, Pump, Hyd	1
▲	30	373402	(000000-) Shim Kit	1
	31	373429	(000000-) Instr, Repair, Pump	1

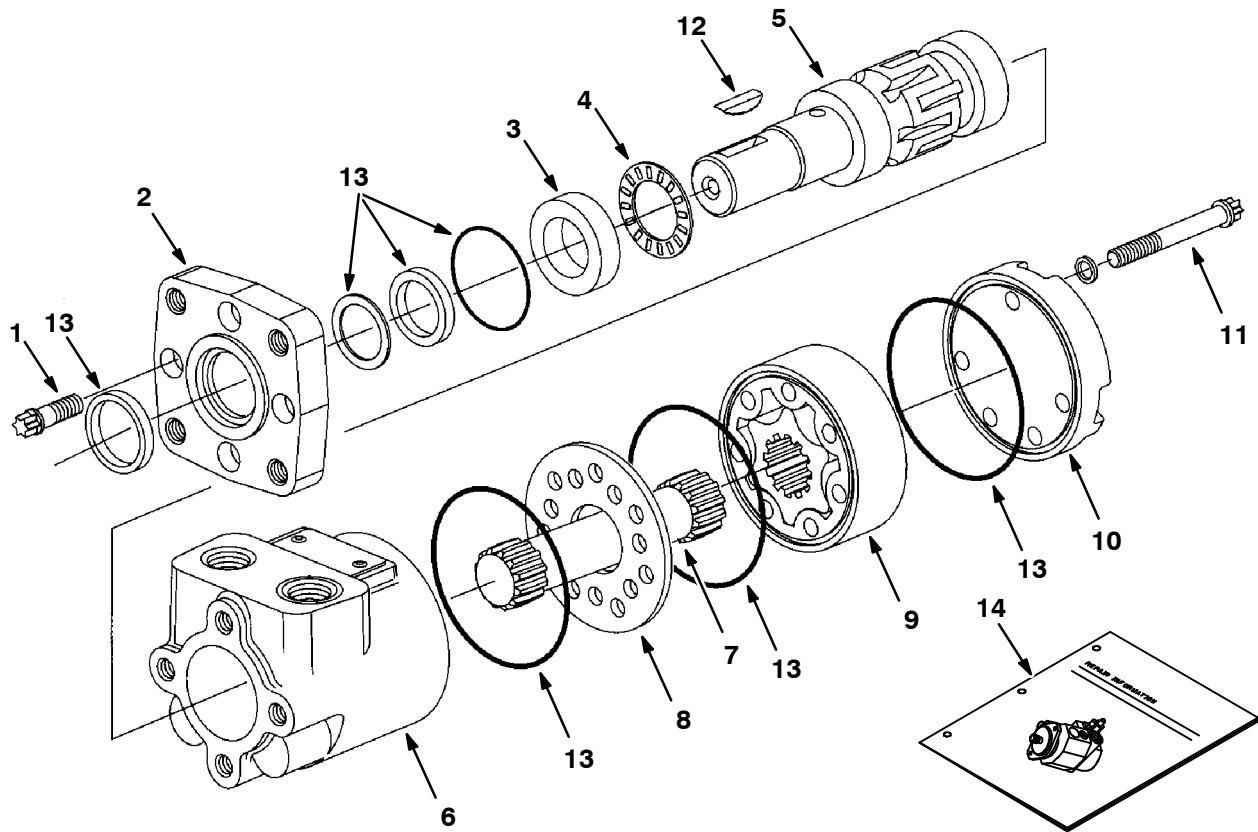
Fig. 4 - Hydraulic Motor Breakdown, 71729



09606-09670 - ALL

Ref.	Tennant Part No.	Manufacturer Serial Number	Description	Qty.	
▽	71729	(000000-) Motor, Hyd Gear In 4.5 B 1500	1	
▲	1	37555	(000000-) Screw	4
▲	2	31354	(000000-) Flange Mounting	1
▲	3	16695	(000000-) Race Thrust	1
▲	4	45628	(000000-) Thrust Bearing	1
▲	5	31375	(000000-) Shaft, Output	1
▲	6	74100	(000000-) Housingl	1
▲	7	31379	(000000-) Drive	1
▲	8	74094	(000000-) Spacer Plate	1
▲	9	31383	(000000-) Gerotor Set	1
▲	10	74095	(000000-) End Cap	1
▲	11	65241	(000000-) Cap Screw	5
▲	12	74098	(000000-) Plug #4	1
▲	13	74099	(000000-) Plug #10	2
▲	14	00500-15	(000000-) Key-Wdruff 0.25 1.00	1
▲	15	39527	(000000-) Nut-Hxslot .75-16 Pltd	1
▲	16	61490	(000000-) Seal Replmt Kit	1
▲	17	74250	(000000-) Instr. Repair Info, Motor	1

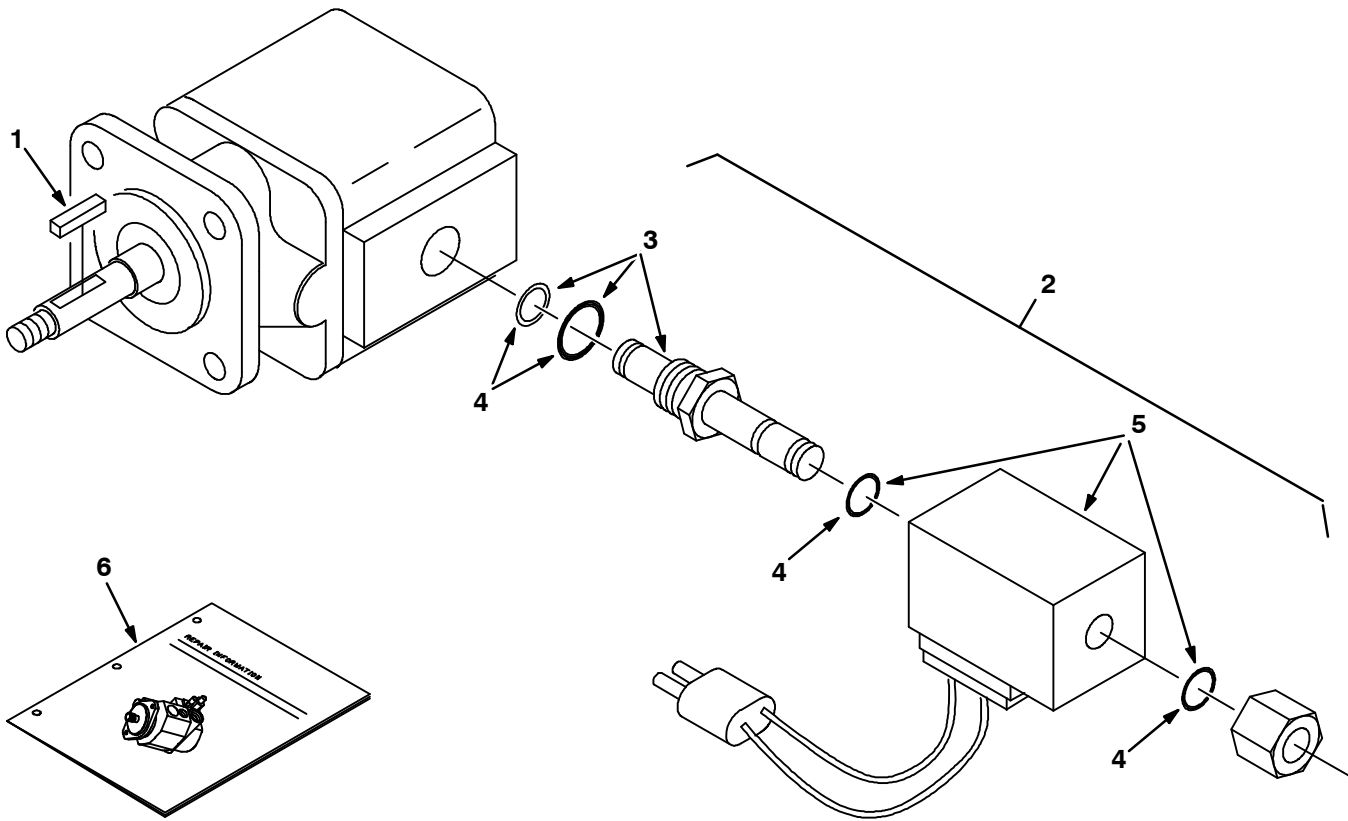
Fig. 5 - Hydraulic Motor Breakdown, 1029379



10859-09670 - ALL

Ref.	Part No.	Serial Number	Description	Qty.	
▽	1029379	(000000-) Motor, Hyd, Gear, Int 08.9 Bi-Dir 2500	1	
▲	1	37555	(000000-) Screw, Motor, Hyd [En]	4
▲	2	31354	(000000-) Flange, Motor, Hyd [En]	1
▲	3	16695	(000000-) Ace, Thrust, Motor, Hyd [En]	1
▲	4	45628	(000000-) Bearing, Thrust	1
▲	5	28854	(000000-) Shaft, Output, Motor, Hyd [En]	1
▲	6	74100	(000000-) Housing, Motor, Hyd [En]	1
▲	7	21955	(000000-) Drive [CI]	1
▲	8	74094	(000000-) Plate, Spacer, Motor, Hyd [En]	1
▲	9	21956	(000000-) Gerotor Set [CI]	1
▲	10	65230	(000000-) End Cap, Motor, Hyd [En]	1
▲	11	21958	(000000-) Cap Screw CI	5
▲	12	00500-15	(000000-) Key, Woodruff, 0.25 1.00 [Asa#0808]	1
▲	13	61490	(000000-) Seal Kit, Motor [CI]	1
▲	14	74250	(000000-) Instr, Motor, Hyd, Repair [En]	1

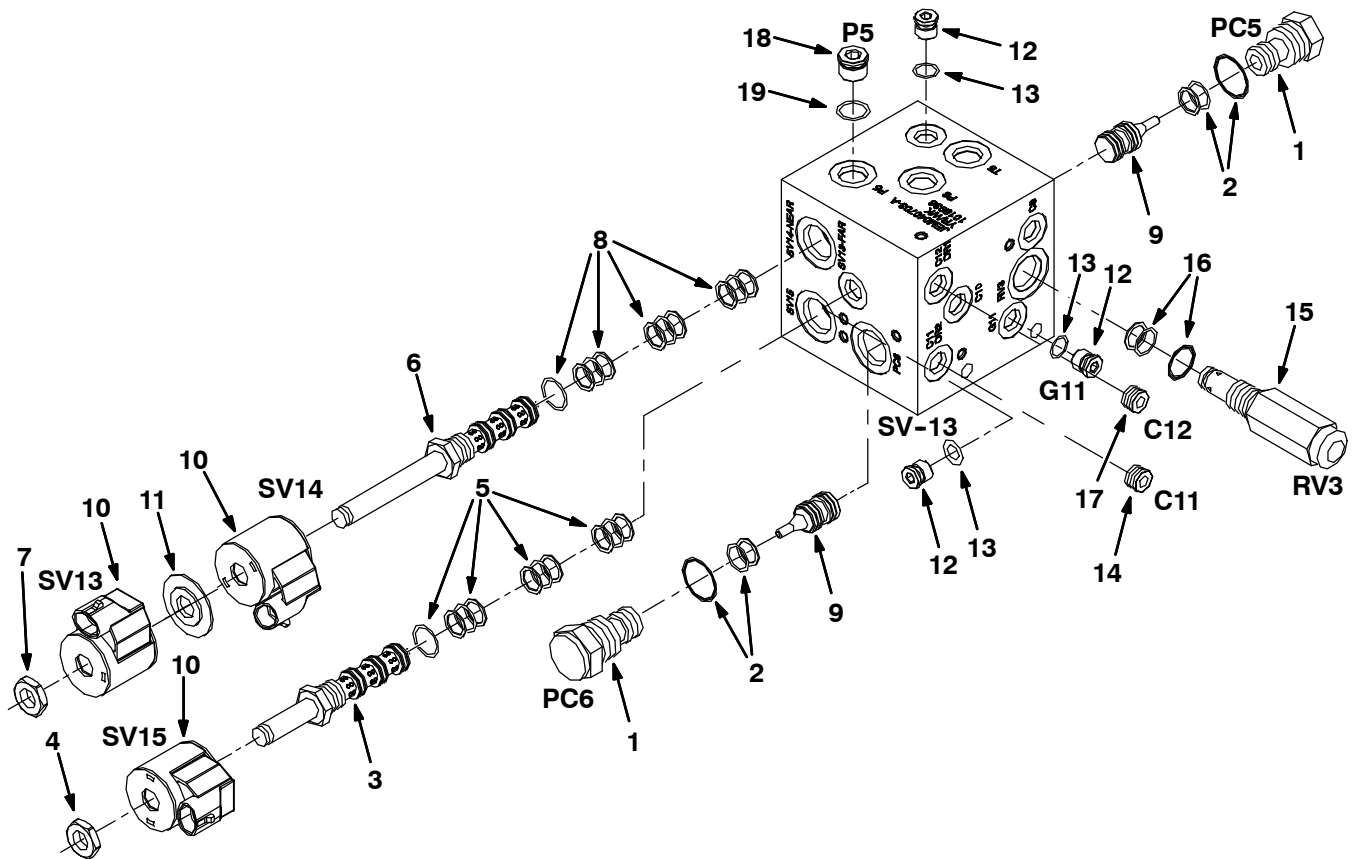
Fig. 6 - Hydraulic Motor Breakdown, 53485



07490 - 09670

Ref.	Part No.	Serial Number	Description	Qty.
▽	53485	(000000-) Motor, Hyd, Gear, Ext 0.19 Rh 3000	1
▲	74233	(000000-) Kit, Seal, Motor, Hyd, Gear[Barns]	1
▲	1 00966	(000000-) Key, Sq, 0.12 X 0.12, 0.75l	1
▲▽	2 54095	(000000-) Valve, Hyd Cartridge 10no/-0	1
▲▲	3 59378	(000000-) Valve Stem, N.O.Valve, Hyd	1
▲▲	4 48813	(000000-) Kit, Seal, Valve, Hyd [Cec]	1
▲▲	5 35493	(000000-) Solenoid, 12v, Valve, Hyd [Cec]	1
	6 IB3614	(000000-) Instr, Seal Kit, Motor	1

Fig. 7 - Hydraulic Valve Breakdown, 1018936



ALL

Ref.	Part No.	Serial Number	Description	Qty.	
▽	1018936	(000000-) Valve, Cntrl, Hyd [M20]	1	
▲▽	1	373656	(000000-) Valve, Check	2
▲▲	2	373647	(000000-) Seal Kit, Cartridge	1
▲▽	3	373657	(000000-) Stem, Valve, Hyd, 4w2p	1
▲▲	4	373648	(000000-) Nut, Coil, F/#8	1
▲▲	5	373647	(000000-) Seal Kit, Cartridge	1
▲▽	6	373637	(000000-) Valve, Cntrl, Solenoid	1
▲▲	7	373648	(000000-) Nut, Coil, F/#8	1
▲▲	8	373647	(000000-) Seal Kit, Cartridge	1
▲	9	373658	(000000-) Spool, Pilot, Hyd	2
▲	10	373640	(000000-) Solenoid, #8, 12vdc	3
▲	11	373639	(000000-) Spacer, Coil, #8	1
▲▽	12	74098	(000000-) Fitting, Hyd, Plug, Om04	3
▲▲	13	77003	(000000-) Seal, Org, .072 X 00.35id #04	1
▲	14	373633	(000000-) Plug, Orifice, Valve, Hyd, .040	1
▲▽	15	373659	(000000-) Valve, Hyd, Relief	1
▲▲	16	373647	(000000-) Seal Kit, Cartridge	1
▲	17	373660	(000000-) Plug, Orifice, Valve, Hyd, .030	1
▲▽	18	13904	(000000-) Fitting, Plug, Org, #6, Valve [Cec]	1
▲▲	19	77005	(000000-) Seal, Org, .078 X 00.47id #06	1

Fig. 8 - Hydraulic Valve Breakdown, 1018938

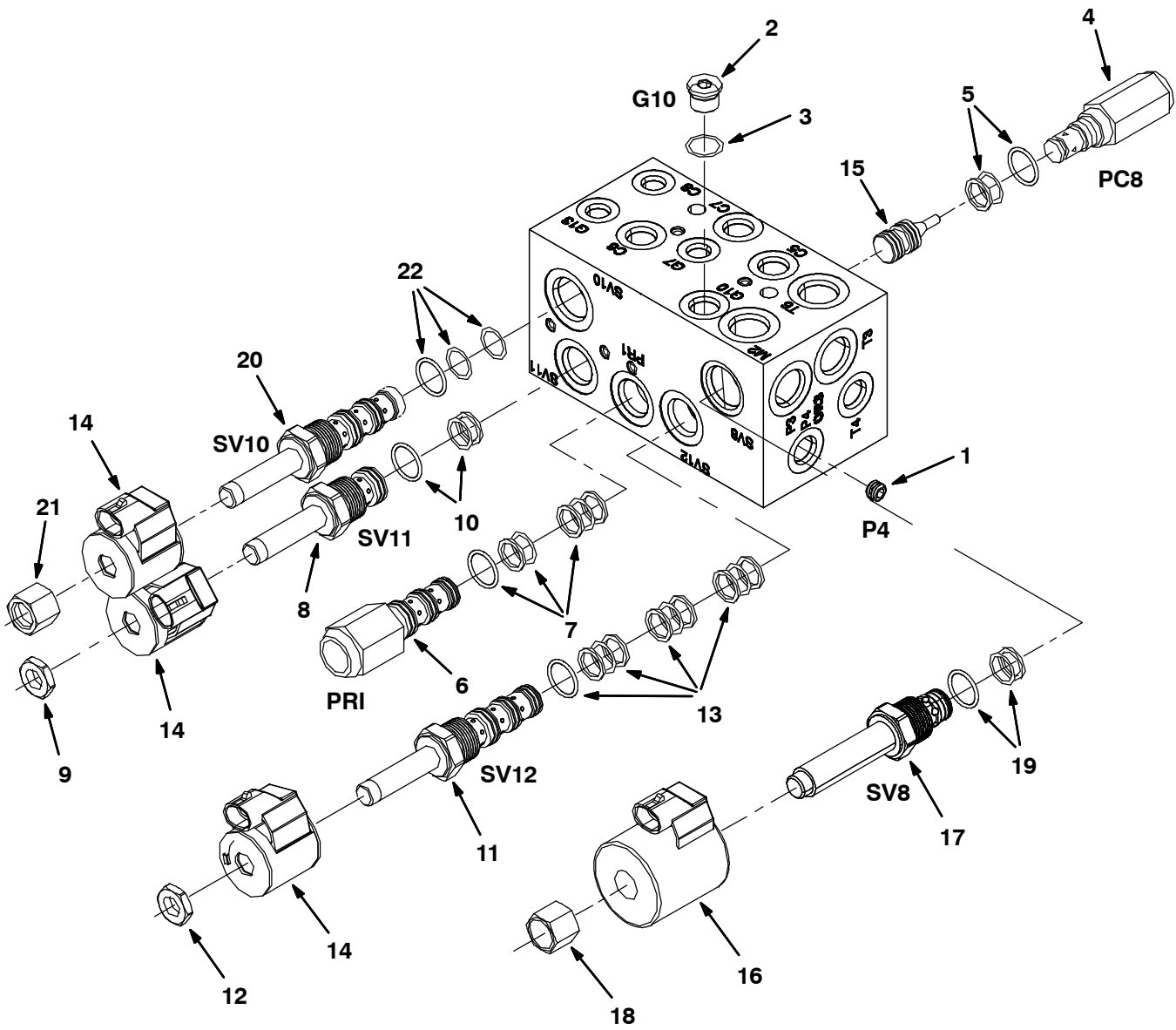


Fig. 8 - Hydraulic Valve Breakdown, 1018938

	Ref.	Part No.	Serial Number	Description	Qty.
▽		1018938	(000000-) Valve, Cntrl, Hyd [M20 And T20]	1
▲	1	373633	(000000-) Plug, Orifice, Valve, Hyd, .040	1
▲▽	2	13904	(000000-) Fitting, Plug, Org, #6, Valve [Cec]	1
▲▲	3	77005	(000000-) Seal, Org, .078 X 00.47id #06	1
▲▽	4	373656	(000000-) Valve, Check	1
▲▲	5	373647	(000000-) Seal Kit, Cartridge	1
▲▽	6	373661	(000000-) Valve, Relief	1
▲▲	7	373647	(000000-) Seal Kit, Cartridge	1
▲▽	8	373662	(000000-) Stem, Valve, Hyd	1
▲▲	9	373648	(000000-) Nut, Coil, F/#8	1
▲▲	10	373647	(000000-) Seal Kit, Cartridge	1
▲▽	11	373657	(000000-) Stem, Valve, Hyd, 4w2p	1
▲▲	12	373648	(000000-) Nut, Coil, F/#8	1
▲▲	13	373647	(000000-) Seal Kit, Cartridge	1
▲	14	373640	(000000-) Solenoid, #8, 12vdc	3
▲	15	373658	(000000-) Spool, Pilot, Hyd	1
▲	16	373642	(000000-) Solenoid, #10, 12vdc	1
▲▽	17	373663	(000000-) Valve, Stem, No	1
▲▲	18	373670	(000000-) Nut, Solenoid	1
▲▲	19	373646	(000000-) Seal Kit, Cartridge	1
▲▽	20	373664	(000000-) Cartridge, Psi Cntrl, Valve, Hyd	1
▲▲	21	373673	(000000-) Nut, Solenoid	1
▲▲	22	373672	(000000-) Seal Kit, Cartridge	1

Fig. 9 - Hydraulic Valve Breakdown, 1037805

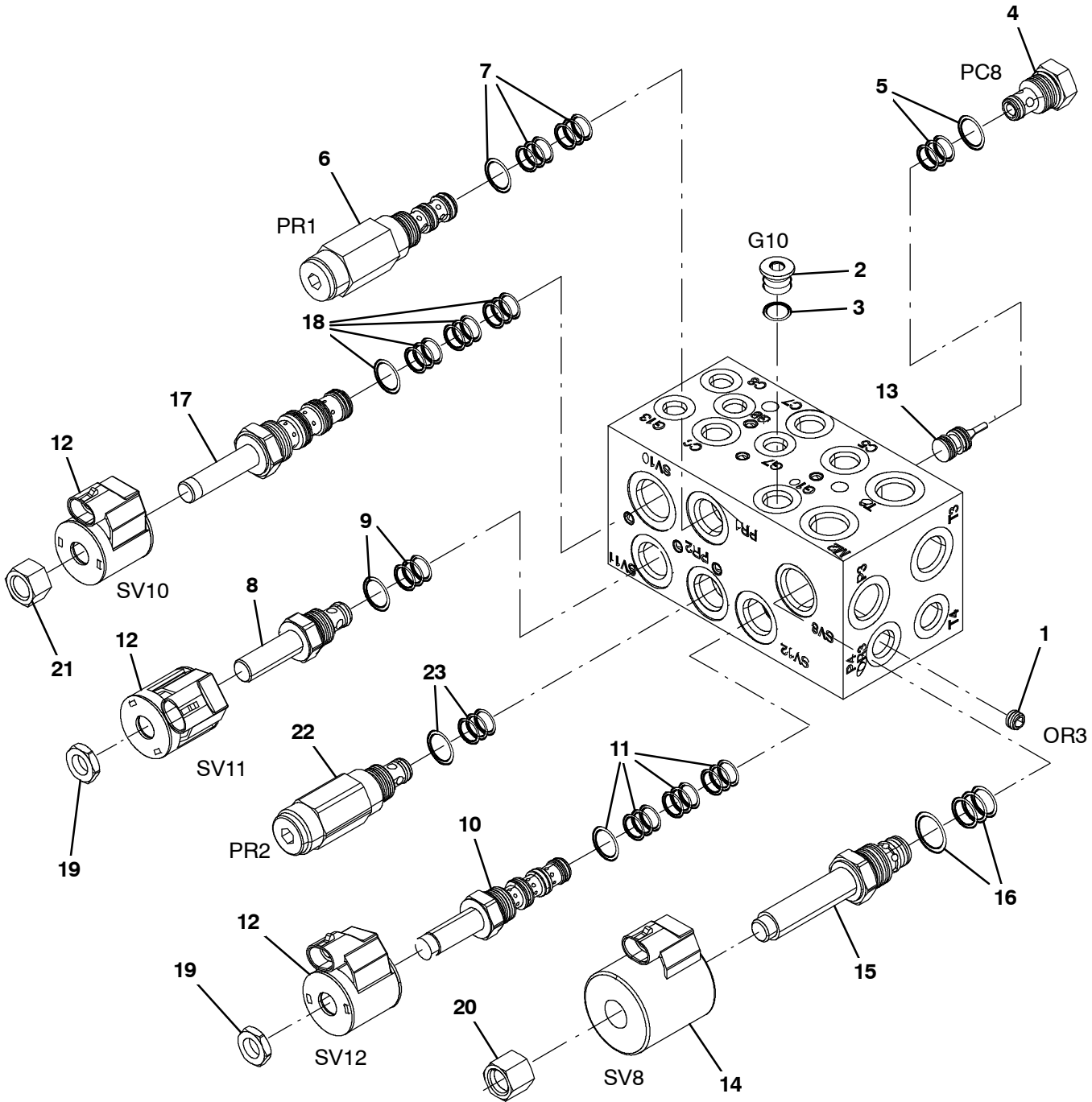


Fig. 9 - Hydraulic Valve Breakdown, 1037805

	Ref.	Part No.	Serial Number	Description	Qty.
▽		1037805	(000000-) Valve, Cntrl, Hyd, Solenoid, 03/16gpm	1
▲	1	373633	(000000-) Plug, Orifice, Valve, Hyd, .040	1
▲▽	2	13904	(000000-) Fitting, Plug, Org, #6, Valve [Cec]	1
▲▲	3	77005	(000000-) Seal, Org, .078 X 00.47id 06	1
▲▽	4	373656	(000000-) Valve, Check	1
▲▲	5	373647	(000000-) Seal Kit, Cartridge	1
▲▽	6	373683	(000000-) Valve, Relief	1
▲▲	7	373647	(000000-) Seal Kit, Cartridge	1
▲▽	8	373662	(000000-) Stem, Valve, Hyd	1
▲▲	9	373647	(000000-) Seal Kit, Cartridge	1
▲▽	10	373657	(000000-) Stem, Valve, Hyd [4w2p]	1
▲▲	11	373647	(000000-) Seal Kit, Cartridge	1
▲	12	373640	(000000-) Solenoid, #8, 12vdc	1
▲	13	373658	(000000-) Spool, Pilot, Hyd	1
▲	14	373642	(000000-) Solenoid, #10, 12vdc	3
▲▽	15	373663	(000000-) Valve, Stem, No	1
▲▲	16	373646	(000000-) Seal Kit, Cartridge	1
▲▽	17	373664	(000000-) Cartridge, Psi Cntrl, Valve, Hyd	1
▲▲	18	373672	(000000-) Seal Kit, Cartridge	1
▲	19	373684	(000000-) Nut, Coil, Nyl Patch	1
▲	20	373685	(000000-) Nut, Coil, Nyl Patch	1
▲	21	373686	(000000-) Nut, Coil, Nyl Patch	1
▲▽	22	1047625	(000000-) Valve, Relief	1
▲▲	23	373647	(000000-) Seal Kit, Cartridge	1

Fig. 10 - Hydraulic Valve Breakdown, 1020394

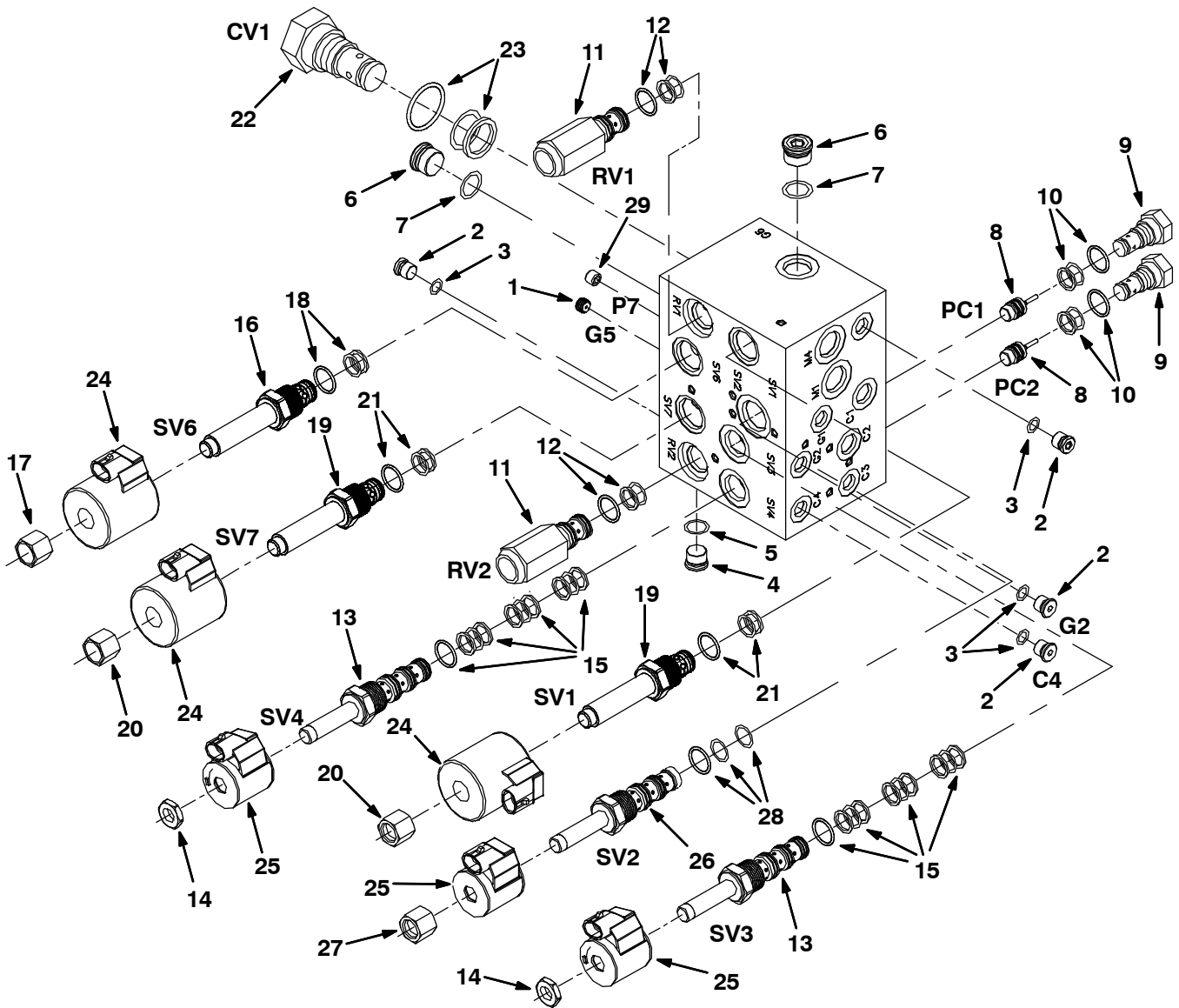


Fig. 10 - Hydraulic Valve Breakdown, 1020394

	Ref.	Part No.	Serial Number	Description	Qty.
▽		1020394	(000000-) Valve, Cntrl, Hyd	1
▲	1	373665	(000000-) Plug, Orifice, Valve, Hyd, .046	1
▲▽	2	74098	(000000-) Fitting, Hyd, Plug, Om04	4
▲▲	3	77003	(000000-) Seal, Org, .072 X 00.35id #04	1
▲▽	4	13904	(000000-) Fitting, Plug, Org, #6, Valve [Cec]	1
▲▲	5	77005	(000000-) Seal, Org, .078 X 00.47id #06	1
▲▽	6	13907	(000000-) Fitting, Hyd, Plug, Om08	2
▲▲	7	77006	(000000-) Seal, Org, .087 X 00.64id #08	2
▲	8	373658	(000000-) Spool, Pilot, Hyd	2
▲▽	9	373631	(000000-) Valve, Check	2
▲▲	10	373647	(000000-) Seal Kit, Cartridge	1
▲▽	11	373666	(000000-) Valve, Relief	2
▲▲	12	373647	(000000-) Seal Kit, Cartridge	1
▲▽	13	373657	(000000-) Stem, Valve, Hyd, 4w2p	2
▲▲	14	373648	(000000-) Nut, Coil, F/#8	1
▲▲	15	373647	(000000-) Seal Kit, Cartridge	1
▲▽	16	373667	(000000-) Stem, Valve, Hyd	1
▲▲	17	373648	(000000-) Nut, Coil, F/#8	1
▲▲	18	373646	(000000-) Seal Kit, Cartridge	1
▲▽	19	373663	(000000-) Valve, Stem, No	2
▲▲	20	373670	(000000-) Nut, Solenoid	1
▲▲	21	373646	(000000-) Seal Kit, Cartridge	1
▲▽	22	373668	(000000-) Valve, Check	1
▲▲	23	373671	(000000-) Seal Kit, Cartridge	1
▲	24	373642	(000000-) Solenoid, #10, 12vdc	3
▲	25	373640	(000000-) Solenoid, #8, 12vdc	3
▲▽	26	373664	(000000-) Cartridge, Psi Cntrl, Valve, Hyd	1
▲▲	27	373673	(000000-) Nut, Solenoid	1
▲▲	28	373672	(000000-) Seal Kit, Cartridge	1
▲	29	373669	(000000-) Plug, Orifice, Valve, Hyd, .063	1

Fig. 11 - Hydraulic Valve Breakdown, 1038566

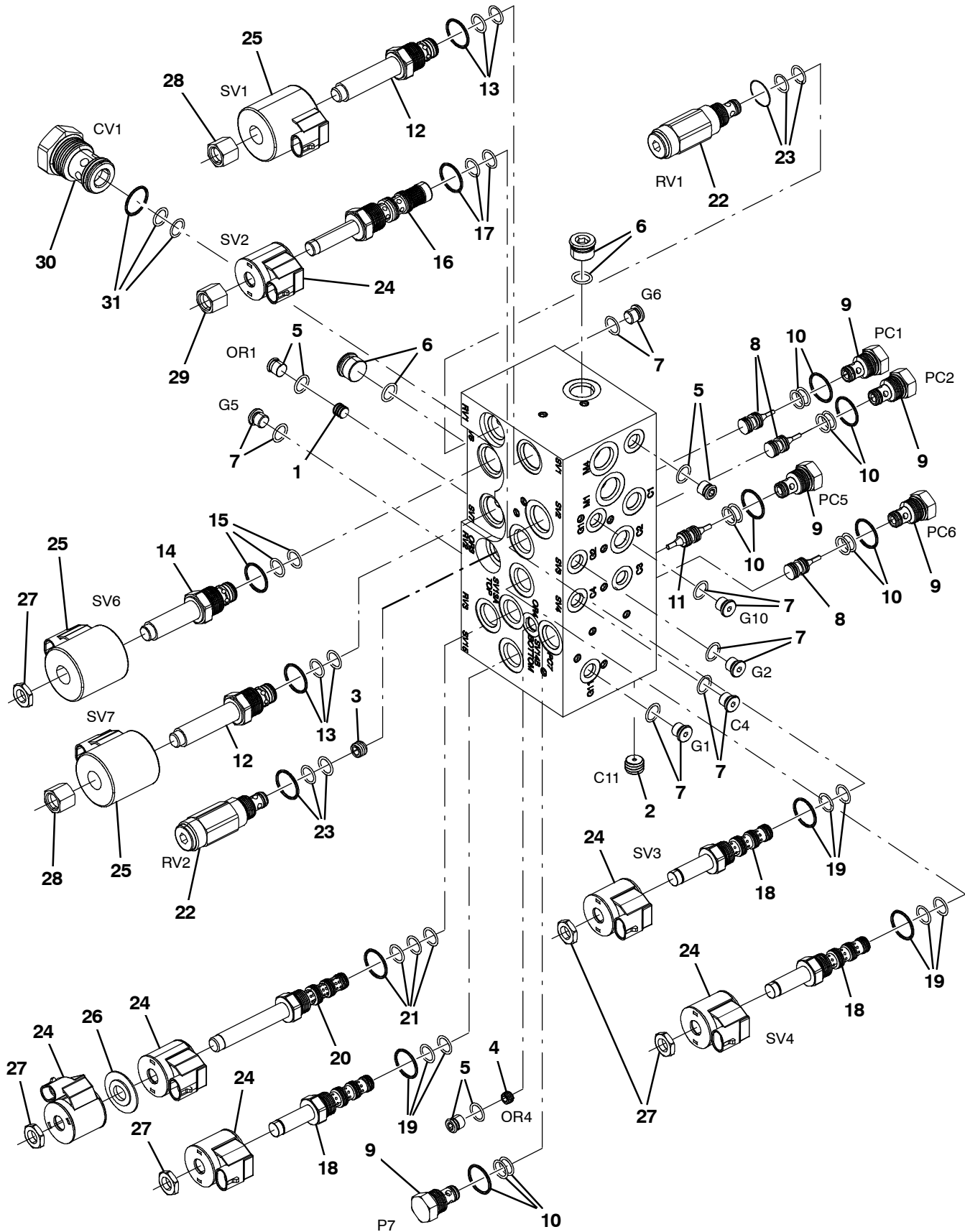


Fig. 11 - Hydraulic Valve Breakdown, 1038566

Ref.	Part No.	Serial Number	Description	Qty.
▽	1038566	(000000-) Valve, Hyd, Solenoid, 12vdc	1
▲	1 373665	(000000-) Plug, Orifice, Valve, Hyd, .046	1
▲	2 373633	(000000-) Plug, Orifice, Valve, Hyd, .040	1
▲	3 9004475	(000000-) Plug Orifice, Valve, Hyd, .140	1
▲	4 373660	(000000-) Plug, Orifice, Valve, Hyd, .030	1
▲	5 74098	(000000-) Fitting, Hyd, Plug, Om04	1
▲	6 13904	(000000-) Fitting, Plug, Org, #6, Valve [Cec]	2
▲	7 74098	(000000-) Fitting, Hyd, Plug, Om04	6
▲	8 373658	(000000-) Spool, Pilot, Hyd	3
▲▽	9 373656	(000000-) Valve, Check	5
▲▲	10 373647	(000000-) Seal Kit, Cartridge	1
▲	11 373688	(000000-) Spool, Pilot, Dual, Hyd	1
▲▽	12 373663	(000000-) Valve, Stem, No	2
▲▲	13 373671	(000000-) Seal Kit, Cartridge	1
▲▽	14 373667	(000000-) Stem, Valve, Hyd	1
▲▲	15 373671	(000000-) Seal Kit, Cartridge	1
▲▽	16 373664	(000000-) Cartridge, Psi Cntrl, Valve, Hyd	1
▲▲	17 373672	(000000-) Seal Kit, Cartridge	1
▲▽	18 373657	(000000-) Stem, Valve, Hyd [4w2p]	3
▲▲	19 373647	(000000-) Seal Kit, Cartridge	1
▲▽	20 373637	(000000-) Valve, Cntrl, Solenoid	1
▲▲	21 373671	(000000-) Seal Kit, Cartridge	1
▲▽	22 373666	(000000-) Valve, Relief	2
▲▲	23 373647	(000000-) Seal Kit, Cartridge	1
▲	24 373640	(000000-) Solenoid, #8, 12vdc	6
▲	25 373642	(000000-) Solenoid, #10, 12vdc	3
▲	26 373639	(000000-) Spacer, Coil, #8	1
▲	27 373684	(000000-) Nut, Coil, Nyl Patch	5
▲	28 373685	(000000-) Nut, Coil, Nyl Patch	2
▲	29 373686	(000000-) Nut, Coil, Nyl Patch	1
▲	30 373668	(000000-) Valve, Check	1
▲	31 373671	(000000-) Seal Kit, Cartridge	1

Fig. 12 - Hydraulic Steering Valve Breakdown, 1024260

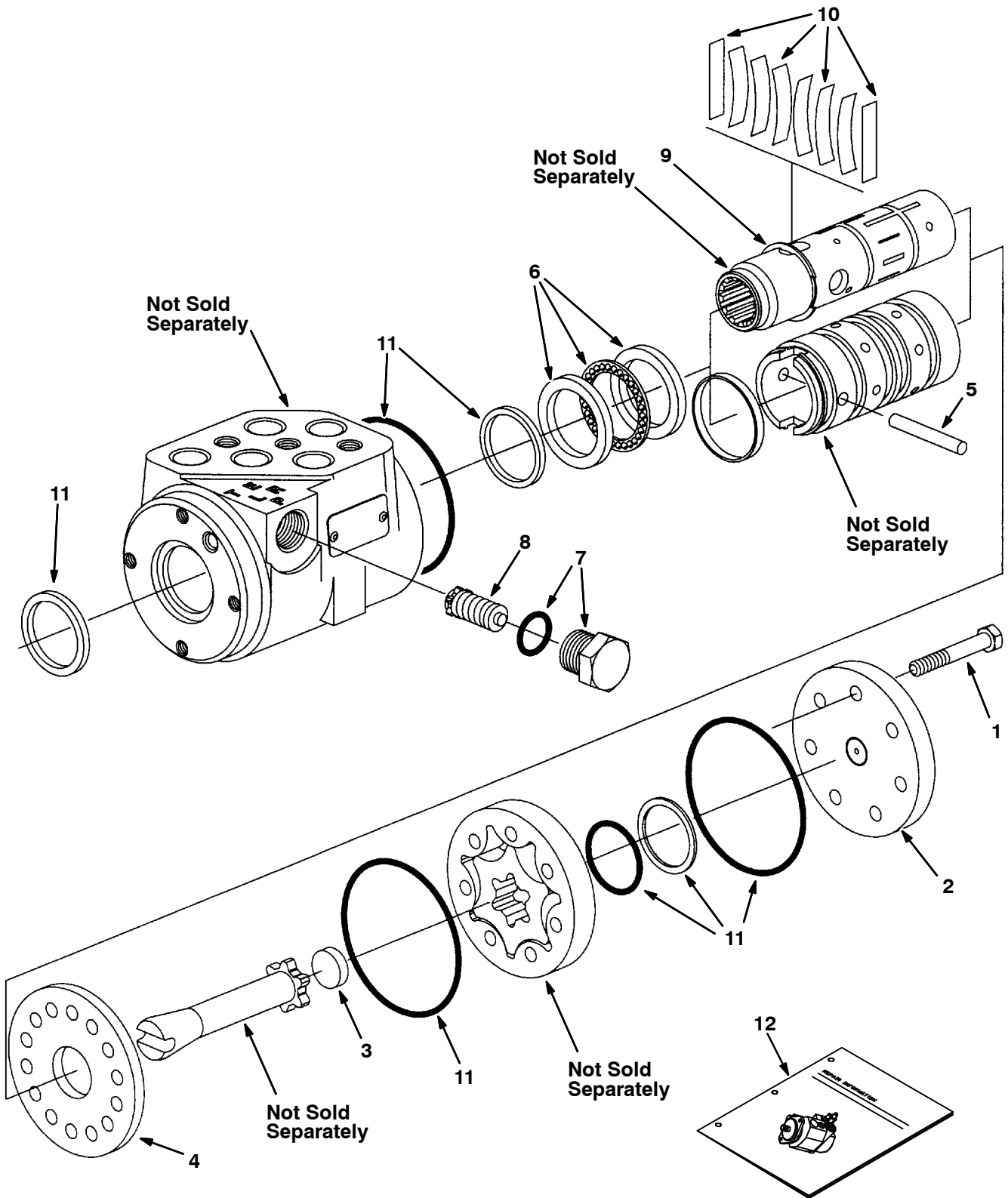
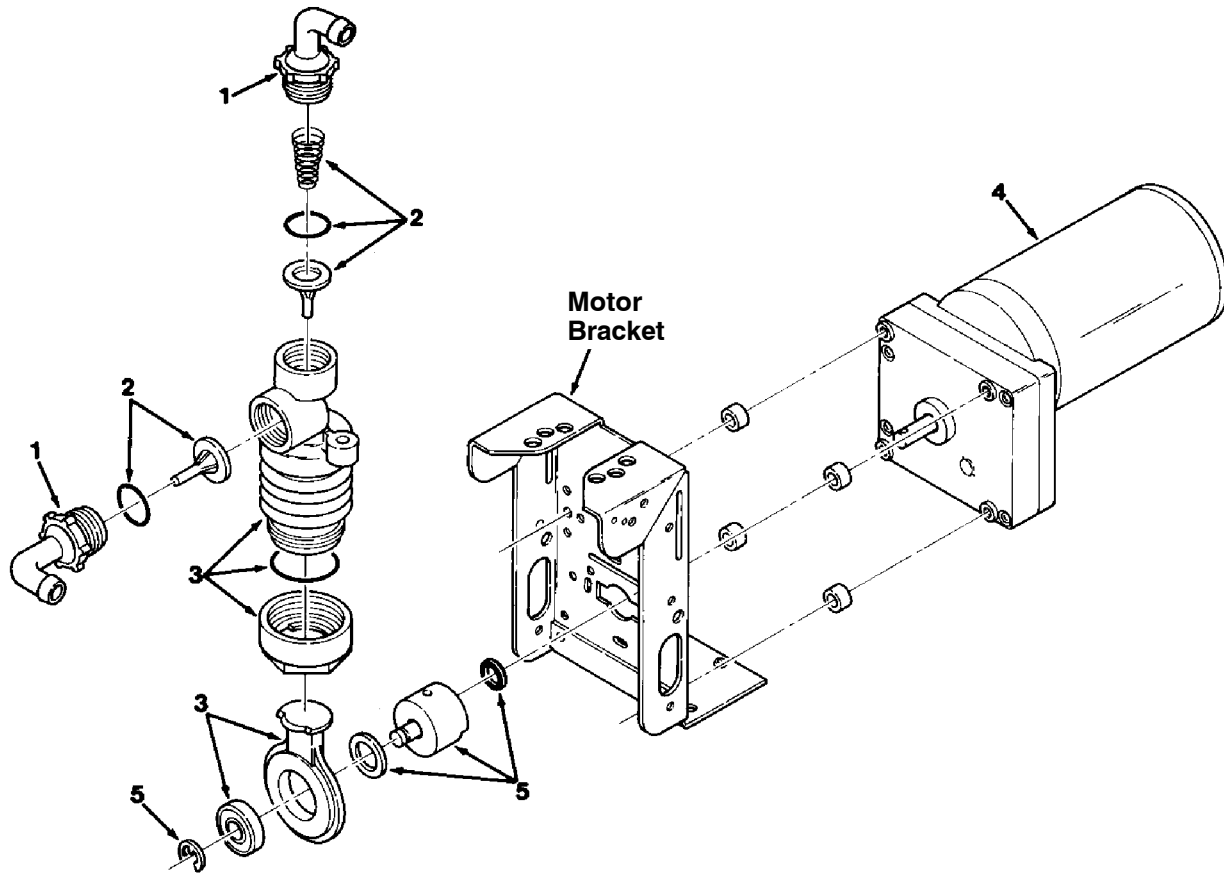


Fig. 12 - Hydraulic Steering Valve Breakdown, 1024260

	Ref.	Part No.	Serial Number	Description	Qty.
▽		1024260	(000000-) Steer-Control, Hyd05, 06.1 2030	1
▲	1	74183	(000000-) Screw, Valve, Steering	7
▲	2	74185	(000000-) Cap, End, Valve, Steering	1
▲	3	74193	(000000-) Spacer, Valve, Steering	1
▲	4	74222	(000000-) Plate, Wear, Steering Valve	1
▲	5	74232	(000000-) Pin, Valve, Steering	1
▲	6	21935	(000000-) Bearing Kit [C]	1
▲	7	21933	(000000-) Plug Assy [C]	1
▲	8	21934	(000000-) Valve Assy, Relief [C]	1
▲	9	74243	(000000-) Ring, Retainer, Steering Valve	1
▲	10	74196	(000000-) Spring Kit, Scu [C]	1
▲	11	74244	(000000-) Seal Kit, Steering [C]	1
▲	12	74245	(000000-) Instr, Valve, Steering, Repair	1

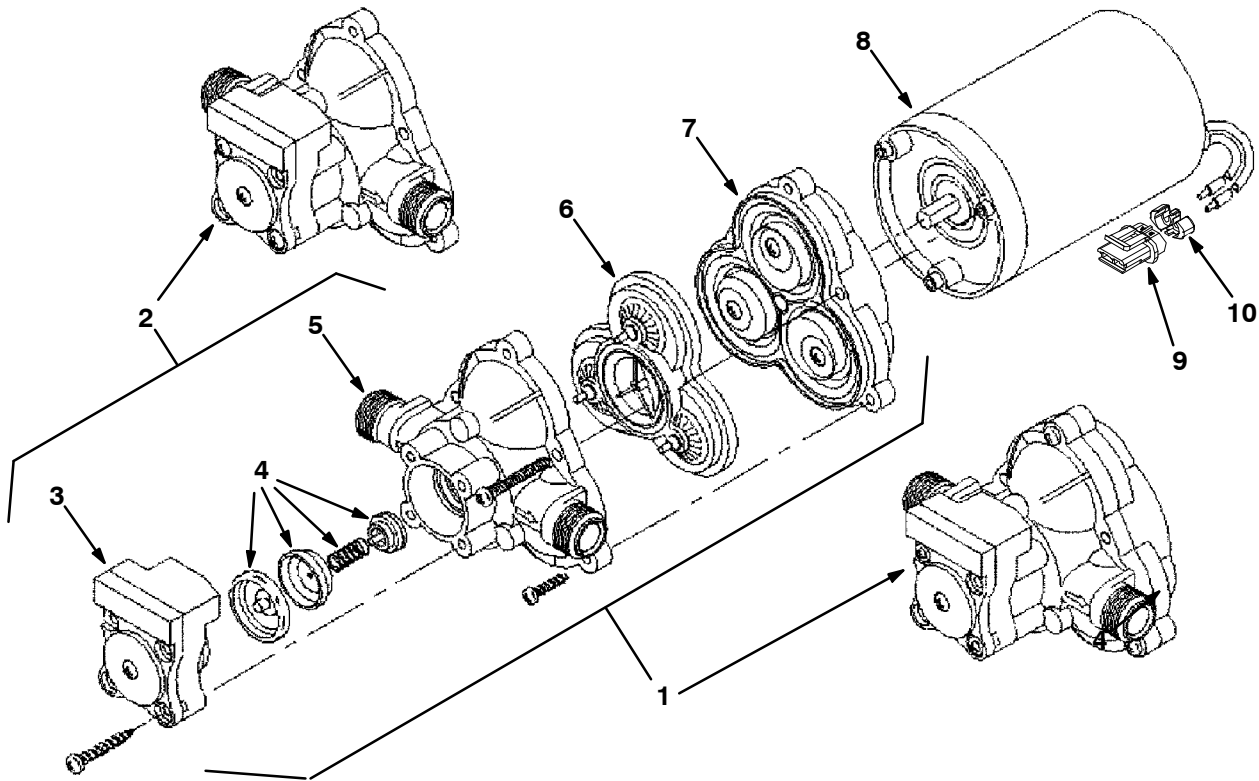
Fig. 13 - Metering Solution Pump Breakdown, 73260



00112 - ALL

Ref.	Part No.	Serial Number	Description	Qty.
▽	73260	(000000-) Pump, Detgt, 14vdc, 150ml/Min 20psi	1
▲	1 63923	(000000-) Tubing Connctr.Kit, Gorman Pmp	1
▲	2 21659	(000000-) Valve Kit, Poppet, Gorman Rupp	1
▲	3 21657	(000000-) Kit, Bellows, Pump, Detgt	1
▲	4 78875	(000000-) Motor, Ele, Gear, 14vdc, Pump, Detgt	1
▲	5 02430	(000000-) Crank Kit, Pump, F/79323, Replmt	1

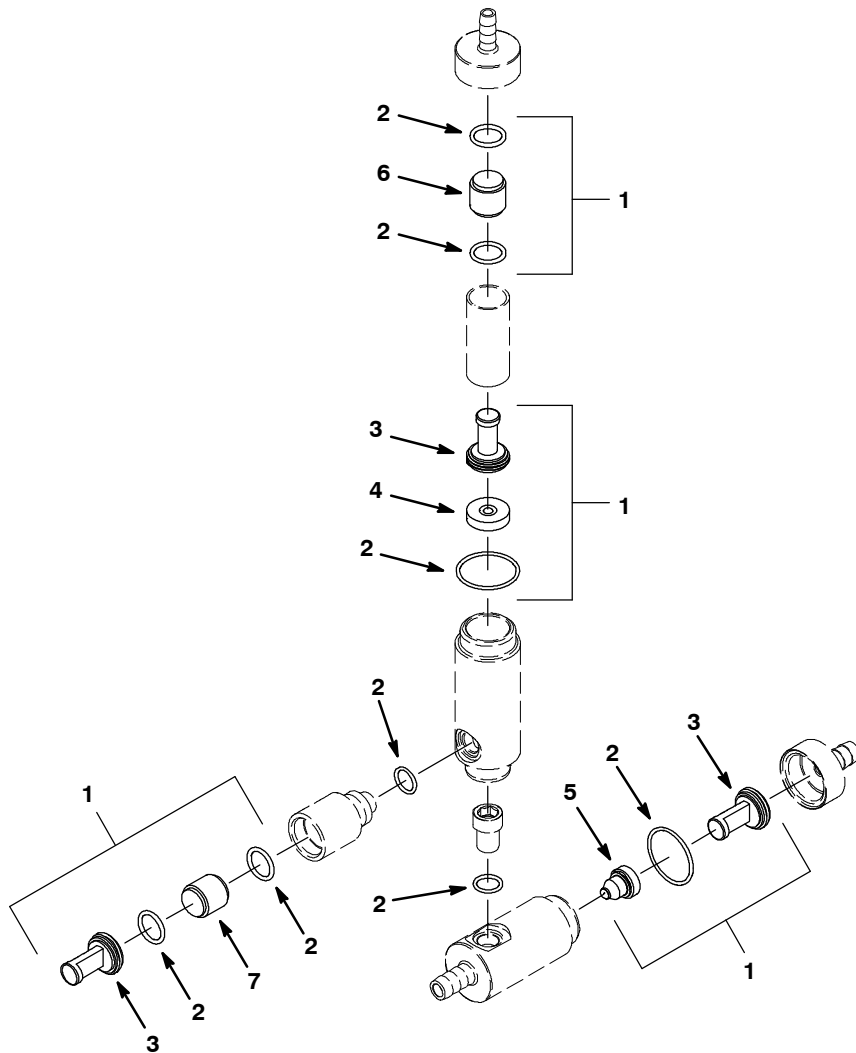
Fig. 14 - Water Pump Breakdown, 1026743



07490 - 09670

Ref.	Part No.	Serial Number	Description	Qty.
▽	1026743	(000000-) Pump, Diaphragm	1
▲	1	1031802	(000000-) Complete Pump Kit, Pump, Repair,	1
▲	2	1031803	(000000-) Hsg & Switch Kit, Pump, Repair,	1
▲	3	1031796	(000000-) Switch Kit, Pump, Repair,	1
▲	4	1031797	(000000-) Chech Valve Kit, Pump, Repair,	1
▲	5	1031798	(000000-) Upper Hsg Kit, Pump, Repair,	1
▲	6	1031799	(000000-) Bypass Valve Kit, Pump, Repair,	1
▲	7	1031800	(000000-) Diaphragm Kit, Pump, Repair,	1
▲	8	1031801	(000000-) Motor Kit, Pump, Repair,	1
▲	9	78950	(000000-) Connector, Fem, 02cav, Mp280 Sealed	1
▲	10	78952	(000000-) Lock, Secondary, 2cav, Mp280 Sealed	1
▲		78951	(000000-) Terminal, Fem, Mp280, Sealed, 18-16ga	2
▲		10917	(000000-) Seal, Wire, 14/16ga [Wp / Mp280 Sealed]	2

Fig. 15 - FaST Injector Assembly Breakdown, 9004515



354649

Ref.	Part No.	Serial Number	Description	Qty.	
▽	9004515	(000000-) FaST Kit, Injector, CI[M20/M30 FaST II+]	1	
▲▽	1	9004514	(000000-) FaST Kit, Ci, Injector Rebuild[FaST II+]	1
▲▲	2	9003008	(000000-) Fast Kit, Ci, Injector Seals [Fast li+]	1
▲▲	3	9003009	(000000-) Fast Kit, Ci, Injector Filters[Fast li+]	1
▲▲	4	1042711	(000000-) Plate Assy, Orifice, 0.0105id, Green	1
▲▲	5	1042710	(000000-) Plug, Orifice, 0.060, Ss [Fast li+]	1
▲▲	6	1030444	(000000-) Valve, Check, 0002psi [Fast li+]	1
▲▲	7	1030441	(000000-) Valve, Check, 0005psi [Fast li+]	1

SECTION 5

Contents	Page
Fig. 1 - Cylinder Head and Valves Group . . .	5-2
Fig. 2 - Crankshaft and Pistion Group	5-4
Fig. 3 - Oil and Water Pump Group	5-6
Fig. 4 - Oil Pan and Filter Group	5-8
Fig. 5 - Manifold Group	5-9
Fig. 6 - Camshaft Group	5-10
Fig. 7 - Ignition Group	5-12

Fig. 1 - Cylinder Head and Valves Group

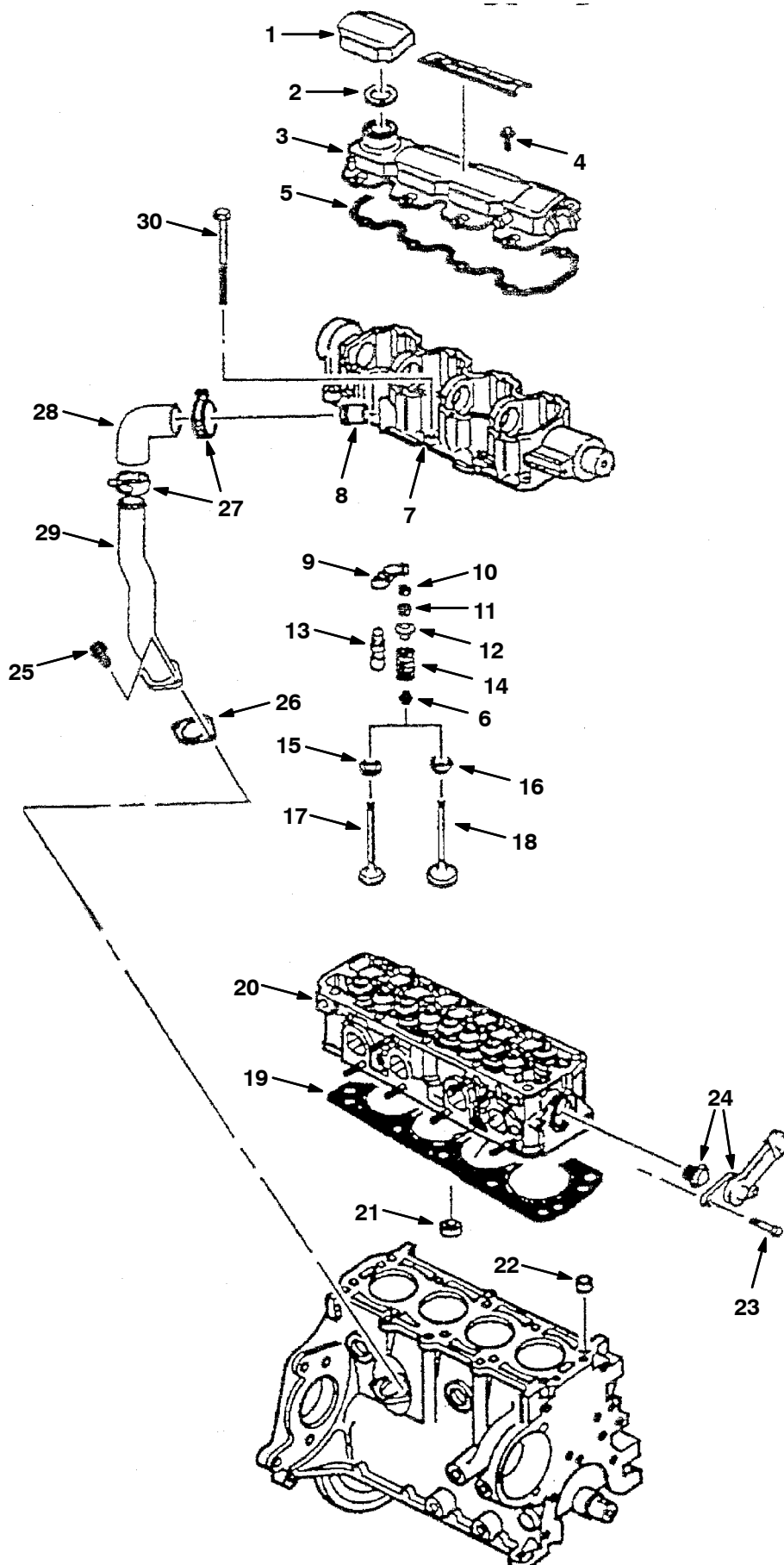


Fig. 1 - Cylinder Head and Valves Group

Ref.	Part No.	Description	Qty.
1	372574	Cap, Filler, Oil, W/ Org	1
2	372573	Seal, Org, Cap	1
3	372007	Cover, Hsng, Camshaft	1
4	371990	Bolt, Camshaft Cover	8
5	372008	Gasket, Cover, Hsng, Camshaft	1
6	9003345	Seal, Seat, Valve	8
7	372018	Housing, Camshaft	1
8	372019	Tube [Pcv]	1
9	372030	Arm, Rocker, Valve	8
10	372031	Seat, Spring, Valve, 0.333	8
10	372032	Seat, Spring, Valve	8
11	372033	Key, Valve Stem	16
12	372034	Cap, Spring, Valve	4
13	372035	Screw, Adj, Valve, Hyd	8
14	372036	Spring, Valve	8
15	372037	Seat, Rotator, Valve	4
16	372031	Seat, Spring, Valve, 0.333	8
16	372032	Seat, Spring, Valve	8
17	372038	Valve, Exhaust	4
18	372039	Valve, Intake	1
19	372022	Gasket, Head, Cyl	1
20	372023	Head, Cyl	1
21	372024	Seat, Valve, Exhaust, [+0.2mm]	4
21	372025	Seat, Valve, Exhaust, Std	4
21	372026	Seat, Valve, Exhaust, [+0.4mm]	4
21	372027	Seat, Valve, Intake, Std	4
21	372028	Seat, Valve, Intake, [+0.2mm]	4
21	372029	Seat, Valve, Intake, [+0.4mm]	4
22	371999	Pin, Lock, Cyl Head, 14mm X 17mm	2
23	372048	Bolt, Hsng, Thermostat	2
24	372047	Thermostat, W/ Hsng And Seal	1
25	371957	Bolt, Tube [Pvc], M6 X 1 X 15	2
26	371958	Gasket, Tube [Pvc]	1
27	371954	Clamp, Hose, 1.75 [Pcv]	2
28	371955	Hose [Pcv]	1
29	371956	Tube [Pcv]	1
30	372882	Bolt, Head. Cyl	10

Fig. 2 - Crankshaft and Piston Group

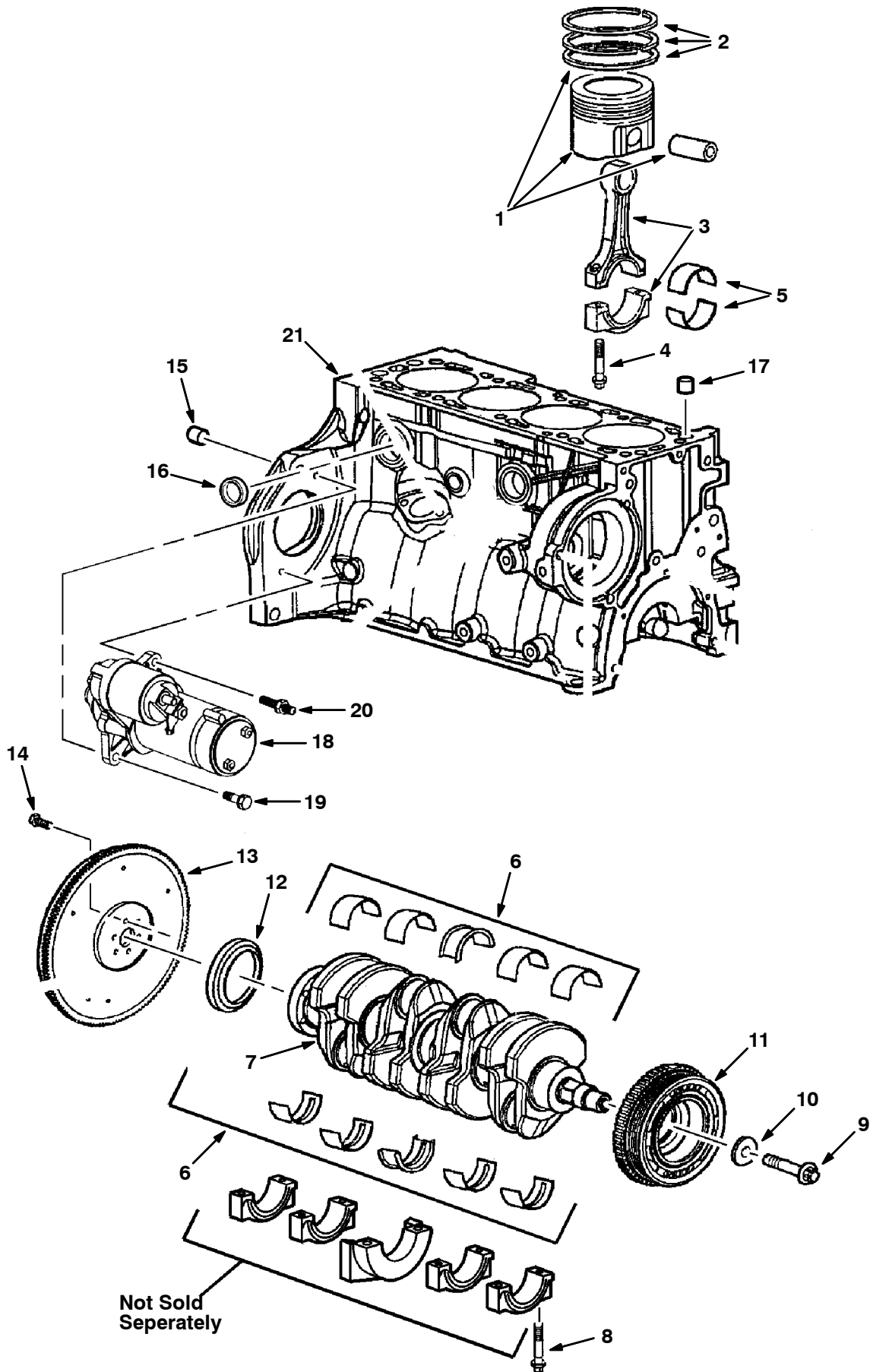


Fig. 2 - Crankshaft and Piston Group

Ref.	Part No.	Description	Qty.
▽ 1	371932	Piston, W/ Pin, Std	1
▲ 2	371931	Ring Kit, Piston, Std 78.95-79.02mm	4
3	371934	Rod, Connecting, M08 X 45	4
4	371935	Bolt, Connecting Rod	8
5	371933	Bearing Kit, Rod, Connecting, Std	1
6	371966	Bearing Kit, Cshft, 1.995-2.001mm (Brown Blue)	4
6	371967	Bearing Kit, Cshft, 2.120-2.126mm	4
6	371968	Bearing Kit, Cshft, 2.114-2.120mm	4
6	371969	Bearing Kit, Cshft, 1.989-1.995mm (Brown)	4
6	371970	Bearing Kit, Cshft, 1.989-1.995mm (Green Blue)	4
6	371971	Bearing Kit, Cshft, 1.995-2.001mm (Green)	4
7	371965	Crankshaft	1
8	371946	Bolt, M10 X 1.50 X 75mm	10
9	371938	① Bolt, M12 X 1.75 X 62mm	1
9	384961	② Bolt, Pulley, Cshft	1
10	371937	Washer, Sheave, Cshft	1
11	371936	Sheave, Cshft	1
12	371945	Seal, Oil, Cshft	1
13	371979	Flywheel	1
14	371976	Bolt, Flywheel	6
15	371978	Pin, Lock, Transmission	2
16	371942	Plug, Hole, Coolant, Eng Block	6
17	371999	Pin, Lock, Cyl Head, 14mm X 17mm	2
18	371962	③ Starter, 12vdc [Gm] (Before Mar. 2006)	1
18	384963	④ Starter, 12vdc [Delco] (Mar. 2006 and Newer)	1
19	371963	① Bolt, M08 X 1.25 X 25mm	1
19	384964	② Bolt, M08 X 1.25 X 25mm	1
20	371964	Stud, Starter, M08 X 1.25	1
21	371944	Block, Short, Eng, W/ Piston & Ring	1

- ① Serial Number (000000-xxxxxx)
- ② Serial Number (xxxxxx-)
- ③ Serial Number (000000000-1PGL13150)
- ④ Serial Number (1PGL13151-)

Fig. 3 - Oil and Water Pump Group

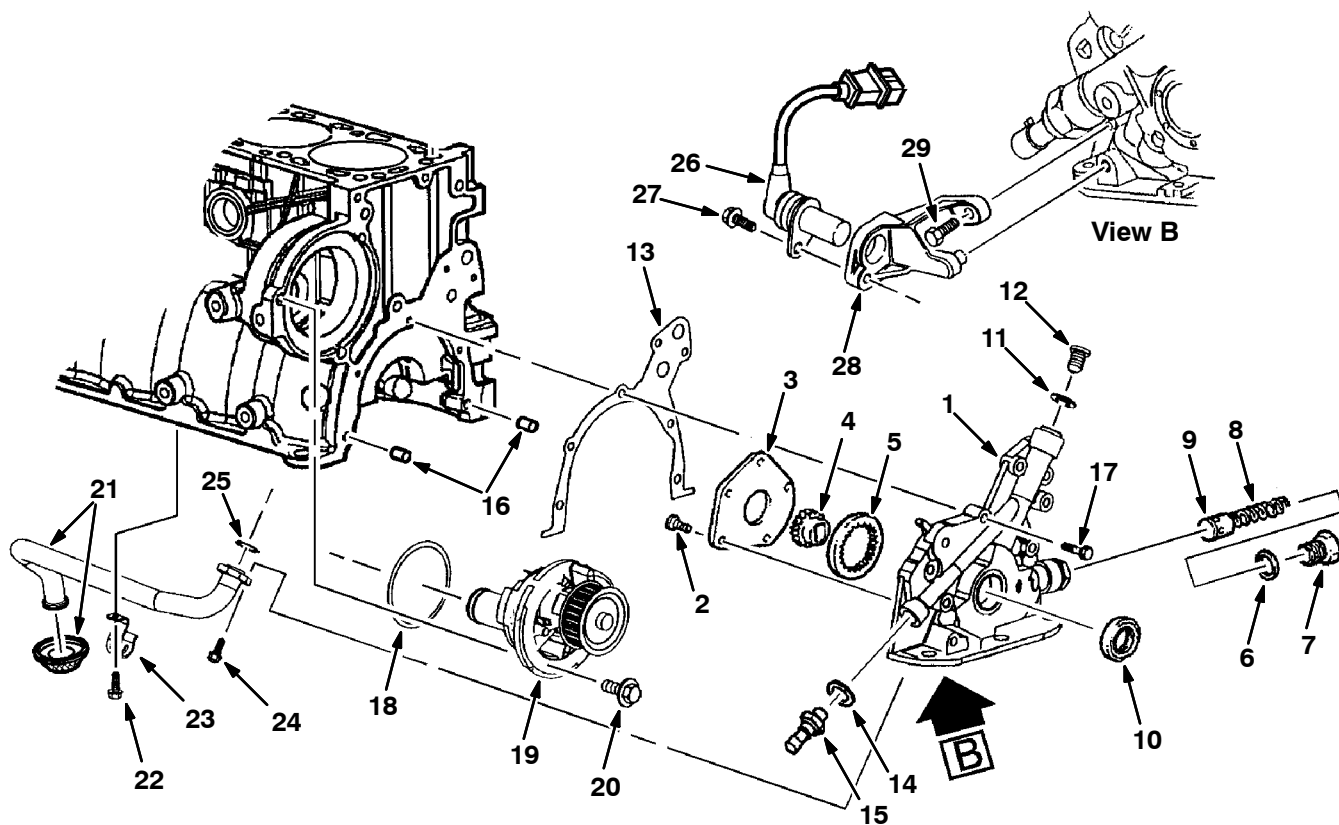


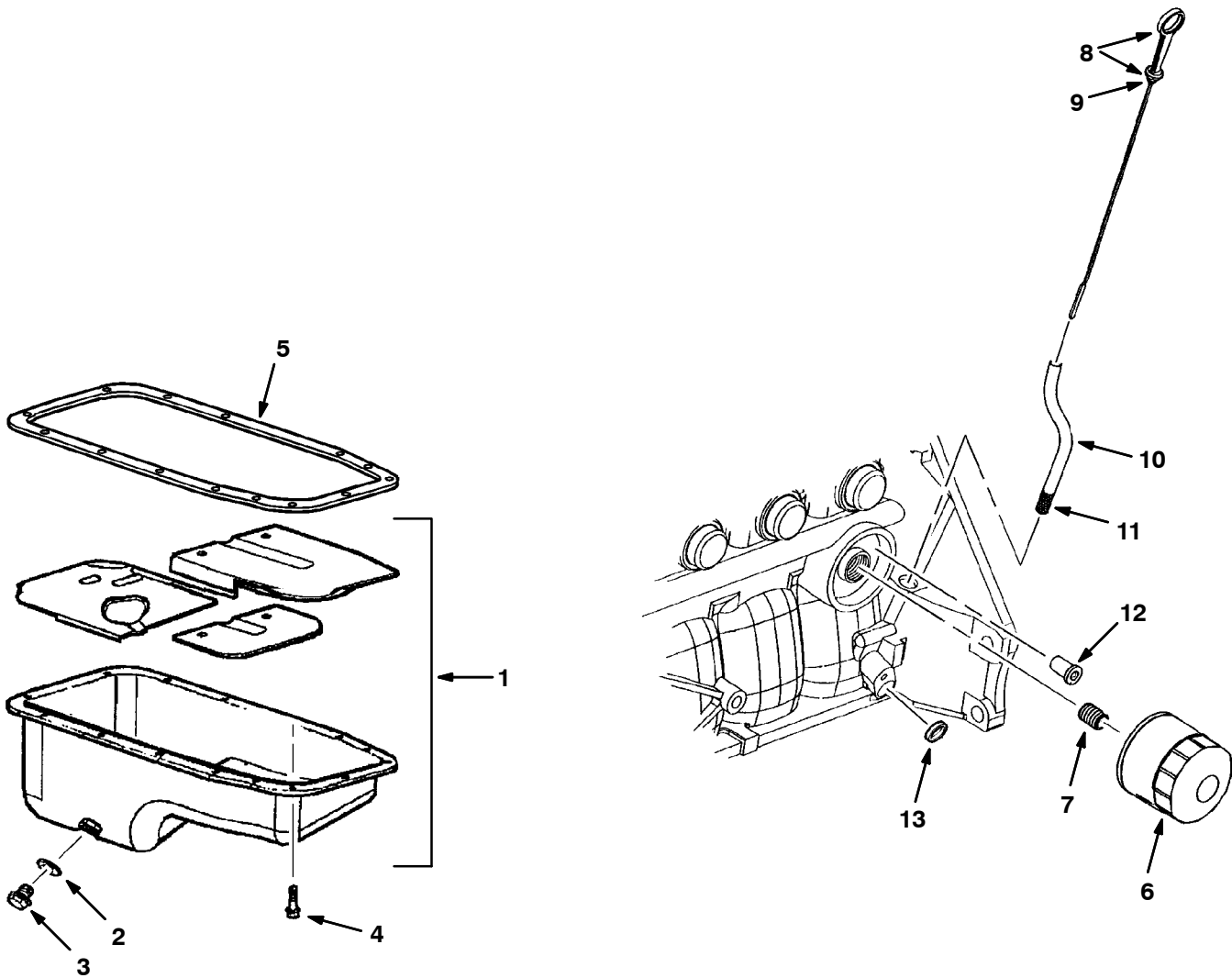
Fig. 3 - Oil and Water Pump Group

	Ref.	Part No.	Description	Qty.
▽	1	372572	Pump, Oil	1
▲	2	371947	Bolt, Cover, Oil Pump, M6 X 14	5
▲	3	371948	Cover, Pump, Oil	1
▲	4	371949	Gear, Ring, Drive, Oil Pump	1
▲	5	371950	Gear, Drive, Oil Pump	1
▲	6	371998	Gasket, Plug, Relief Valve, Oil Press	1
▲	7	371994	Plug, Bore, Valve, Relief, Oil Press	1
▲	8	371993	Spring, Valve, Relief, Oil Press	1
	9	371997	Valve, Relief, Oil Press	1
	10	372005	Seal, Org, Oil Pump	1
	11	371951	Seal, Org, Hsng, Oil Pump	1
	12	371952	Plug, Hsng, Oil Pump	1
	13	371984	Gasket, Pump, Oil	1
	14	371987	Seal, Org, Press Switch / Drain Plug	1
	15	371996	Switch, Indicator, Oil Press	1
	16	371983	Pin, Ring, Lock, Hsng, Water Pump	2
	17	371986	Bolt, Pump, Oil	6
	18	372567	Seal, Org, Water Pump	1
	19	371981	Pump, Water [Gm]	1
	20	371980	Bolt, Cover, Water Pump	3
	21	372001	Screen, Oil Pump, W/ Suc Pipe	1
	22	371991	Bolt, Bracket, Screen, Oil Pump, M6x1x1	1
	23	372000	^① Bracket, Screen, Oil Pump	1
	23	384966	^② Bracket, Screen, Oil Pump	1
	24	371990	Bolt, Oil Pump Screen/Camshaft Cover	2
	25	371988	Seal, Ring, Pipe, Suc, Oil Pump	1
	26	372002	Sensor, Position, Cshft	1
	27	384968	Bolt, Bracket, Sensor, Cshft Position	1
	28	372003	Bracket, Sensor, Position, Cshft	1
	29	372004	Bolt, Sensor, Position, Cshft	3

^① Serial Number (000000-xxxxxx)

^② Serial Number (xxxxxx-)

Fig. 4 - Oil Pan and Filter Group



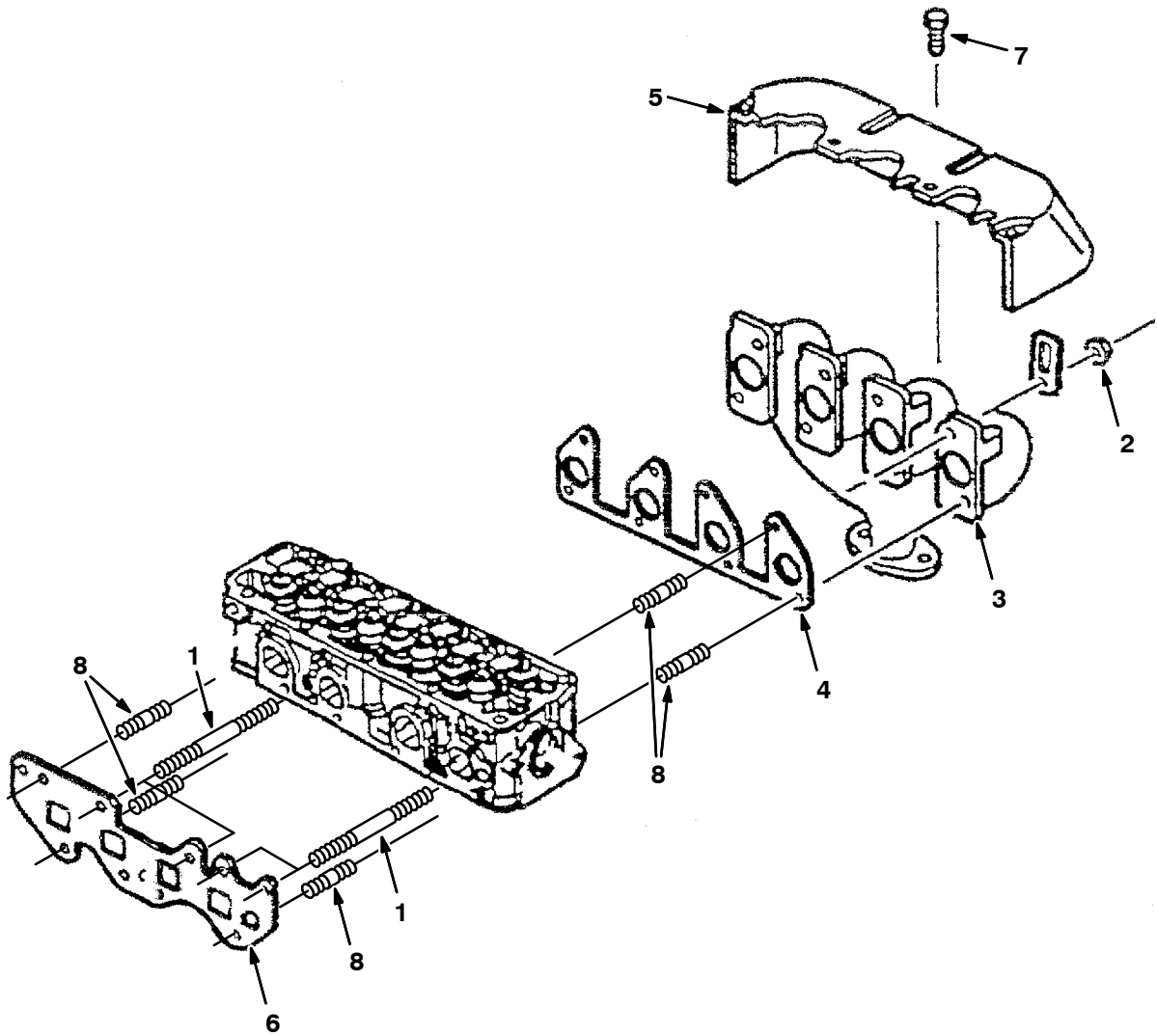
G, LP

Ref.	Part No.	Description	Qty.
▽	1 371960	Pan, Oil, W/ Baffle / Plug / Seal	1
▲	2 371987	Seal, Org, Press Switch / Drain Plug	1
▲	3 371992	Plug, Drain, Oil Pan, M14 X 1.5 X 12	1
	4 371961	① Bolt, M06 X 1.00 X 13mm	15
	4 384962	② Bolt, Pan, Oil	15
	5 371959	Gasket, Pan, Oil	1
	6 371972	Element, Fltr, Oil, Eng, Spin-On	4
	7 371973	Fitting, Fltr, Oil	1
▽	8 372560	Dipstick, Oil	1
▲	9 371995	Seal, Org, Cap, Fltr, Oil	1
	10 371940	Tube, Ds	1
	11 371941	Sealant, Tube, Ds	1
	12 371975	Valve, By-Pass, Oil Fltr	1
	13 371943	Plug, Hole, Core, Eng Block	1

① Serial Number (000000-xxxxxx)

② Serial Number (xxxxxx-)

Fig. 5 - Manifold Group



G, LP

Ref.	Part No.	Description	Qty.
1	372021	Stud, Manifold, M8 X 96	4
2	372049	Nut, Manifold, Exhaust, M8 X 1.25	8
3	372050	Manifold, Exhaust	1
4	372051	Gasket, Manifold, Exhaust	1
5	372052	Shield, Manifold, Exhaust	1
6	372053	Gasket, Manifold, Intake	1
7	372066	Bolt, Shield, Manifold, Exhaust	5
8	372020	Stud, Manifold, M8 X 28	13

Fig. 6 - Camshaft Group

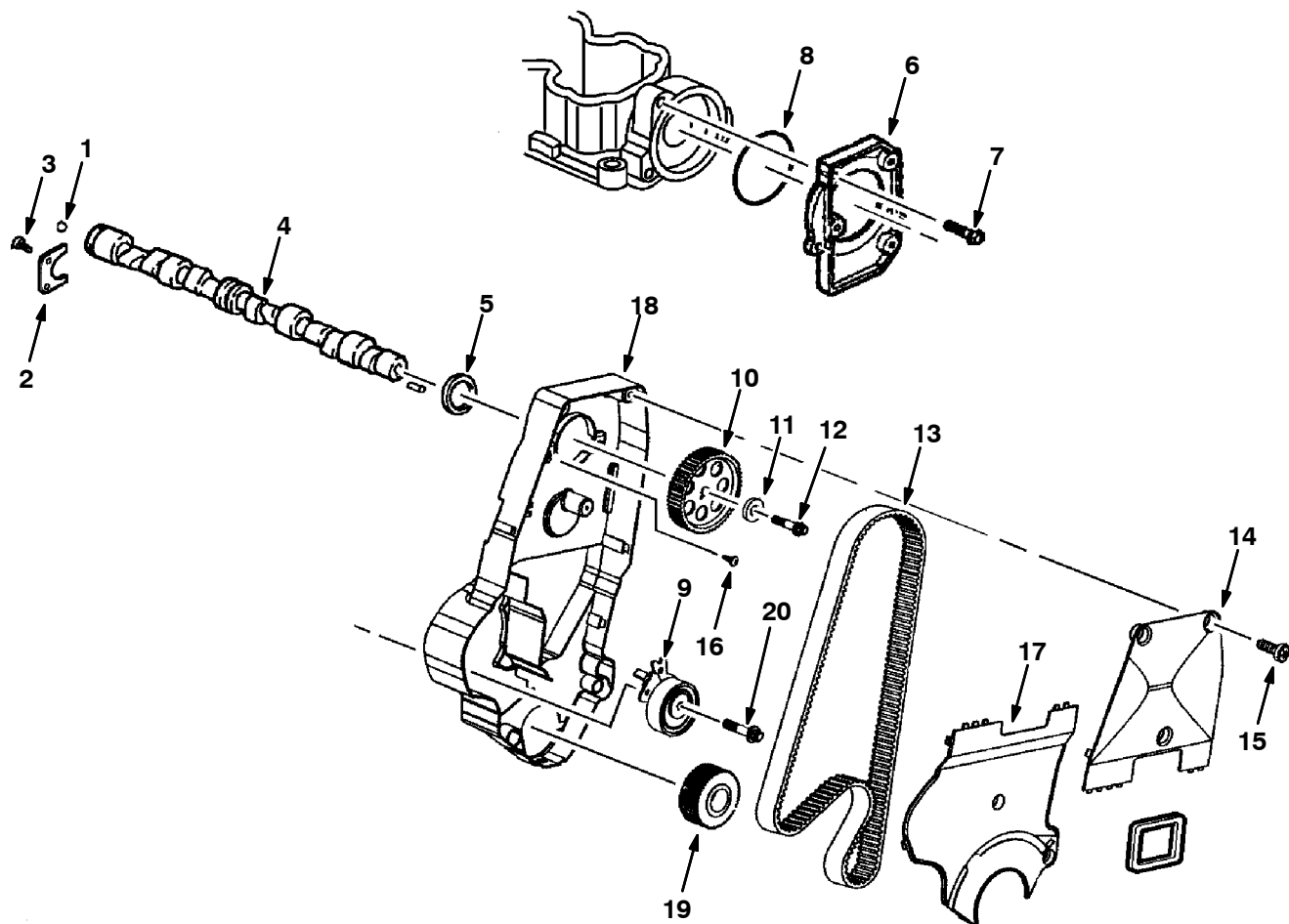
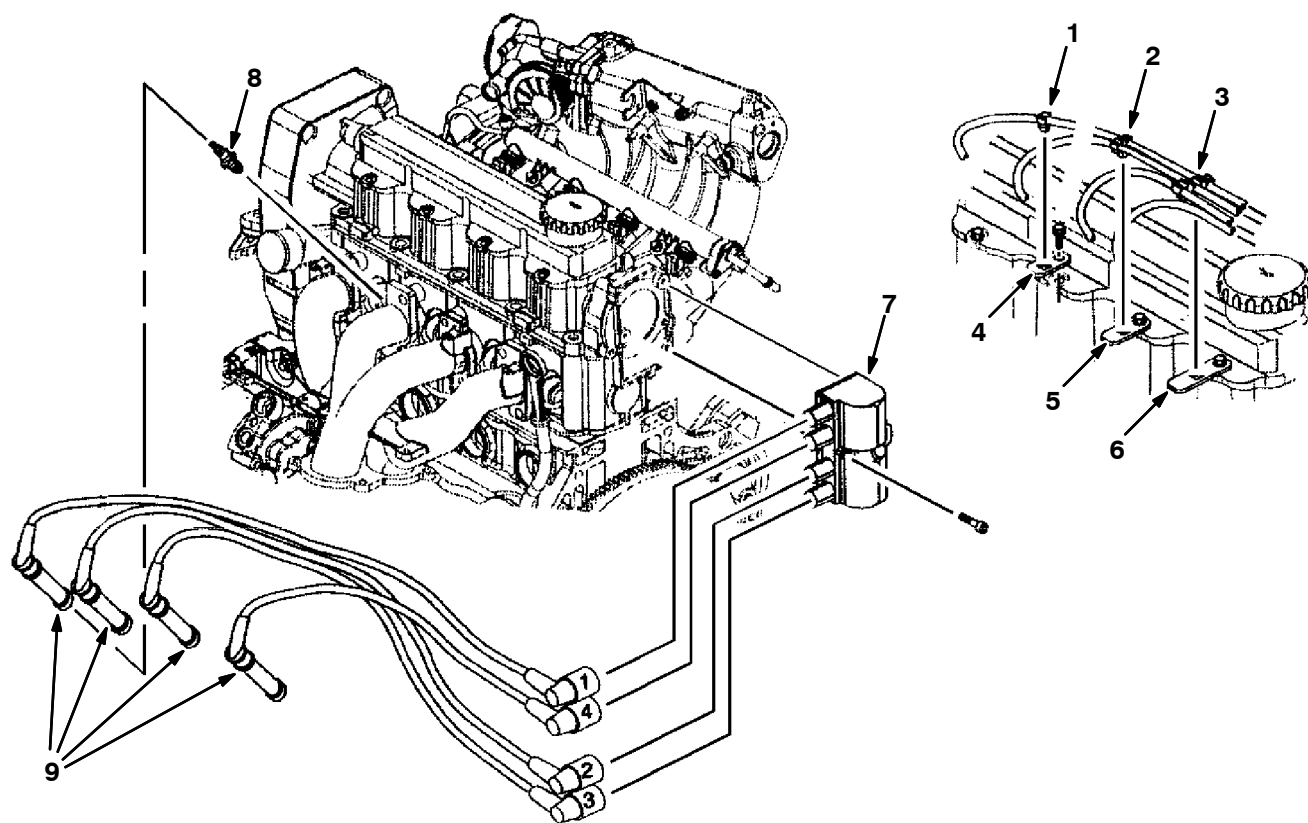


Fig. 6 - Camshaft Group

Ref.	Part No.	Description	Qty.
1	372009	Ball, Camshaft	1
2	372010	Retainer, Camshaft	1
3	372011	Bolt, Retainer, Camshaft, M6 X 1 X 16	2
4	372012	Camshaft	1
5	372013	Seal, Org, Bolt, Cover, Camshaft Hsng	1
6	372014	Cover, Hsng, Camshaft	1
7	372015	Bolt, Cover, Camshaft, M6 X 1 X 22	3
8	372016	Seal, Org, Bolt, Cover, Camshaft Hsng	1
9	9004674	Pulley, Tension, Belt, Timing	1
10	372040	Sprocket, Camshaft	1
11	372017	Washer, Sprkt, Camshaft	1
12	372041	Bolt, Sprocket, Camshaft, M10x1.25x60	1
13	372042	Belt, Timing	1
14	372043	Cover, Belt, Timing, Front	1
15	371961	Bolt, Eng Cover, M6 X 1 X 13	6
16	372046	Bolt, Tensioner, Timing Belt, M8x1.25x48	1
17	372044	Cover, Belt, Timing, Upper Front	1
18	372616	Housing, Camshaft	1
19	388552	Sprocket, Crankshaft	1
20	9004675	Bolt, Tensioner [GM]	1

Fig. 7 - Ignition Group



G, LP

Ref.	Part No.	Description	Qty.
1	372054	Retainer, Sparkplug, 1 Way	1
2	372055	Retainer, Sparkplug, 2 Way	1
3	372056	Retainer, Sparkplug, 3 Way	1
4	372057	Bracket, Retaining, Wire, Sparkplug	1
5	372058	Bracket, Retaining, Wire, Sparkplug	1
6	372059	Bracket, Retaining, Wire, Sparkplug	1
7	372060	Coil, Ignition	1
8	372575	Sparkplug	4
9	372603	Wire Set, Sparkplug [1.6]	1

SECTION 6

CONTENTS	PAGE
PART NUMBER TO PAGE NUMBER CROSS REFERENCE LIST	6-2
PART DESCRIPTION TO PAGE NUMBER CROSS REFERENCE LIST	6-13

CROSS REFERENCE

PART NUMBER TO PAGE NUMBER CROSS REFERENCE LIST

Part Number	Page Number	Part Number	Page Number	Part Number	Page Number
IB3614	4-10	06959	3-13	09010	2-67, 2-71, 2-77, 2-85, 2-87, 2-101, 3-7, 3-9, 3-13
00500-15	4-8, 4-9	06960	2-15	09023	2-87
00927	2-79, 2-81	06961	2-49, 2-53	09028	2-69, 2-75, 2-83, 2-95, 2-99
00954	2-113	06962	3-51	09037	2-31
00960	2-49	06963	2-73	09081	2-93, 2-97
00966	4-10	06965	3-51	09145	2-49
01316	3-3, 3-47	06969	2-63, 2-83	09198	2-67
01493	2-7	06972	2-21	09200	2-13, 2-19, 2-39, 2-73, 2-107, 3-17, 3-23, 3-27, 3-31, 3-49
01681	2-15	06988	2-17	09206	3-19
01683	2-23, 2-27, 2-67, 3-3, 3-17, 3-23, 3-27, 3-31, 3-47, 3-51	07255	2-23, 2-25	09252	2-13, 2-67, 2-69
01684	2-3, 2-73, 2-77, 2-85, 2-102, 2-107, 2-109, 3-27, 3-49	07259	2-69, 2-77, 2-83, 2-91	09291	2-73, 2-77
01685	2-51, 2-53, 2-55, 2-73, 2-77, 2-85, 2-87, 2-89, 2-91, 2-95, 2-99, 2-105, 2-111, 3-3, 3-7, 3-9	07449	2-91	09738	3-11
01686	2-5, 2-69, 2-87, 3-11	07514	3-17	09739	2-79, 2-81, 2-107, 3-11, 3-17, 3-23, 3-31, 3-33, 3-35, 3-37, 3-38, 3-39, 3-49
01714	2-65, 2-67	07782	2-17	09740	2-7, 2-13, 2-19, 2-55, 2-73, 2-83, 2-85, 2-95, 2-99, 2-101, 2-105, 2-109, 2-111, 2-113, 2-135, 2-137, 3-3, 3-5, 3-19, 3-27, 3-33, 3-35, 3-37, 3-47
01754	2-73	07786	2-95, 2-99	09741	2-83, 2-87
01760	2-13	07788	2-95, 2-99	09744	2-102, 3-49
01762	2-79, 2-81, 3-7	07789	2-69	09832	2-55
02430	4-22	07791	2-33, 2-93, 2-97, 2-131	1002789	3-21, 3-23
02706	4-7	07805	2-85	1002898	3-19, 3-27
02850	2-13, 2-19, 2-56, 3-19	07810	2-77, 2-115	1002899	3-19, 3-27
02931	2-91	08085	2-13	1005086	3-21, 3-23
02938	2-75	08166	2-51, 2-53	1005255	3-19
02942	2-69	08170	2-65	1005302	3-17, 3-27
03192	3-41	08171	2-63, 2-75	1005435	3-19, 3-27
03495	2-89	08175	2-79, 2-81	1005506	3-17
03922	2-113	08179	2-65, 2-69, 2-77, 2-87, 3-7, 3-9	1005507	3-17
04414	2-7, 2-21, 2-87, 2-89	08180	2-61	1005508	3-17
04706	2-15	08182	2-67, 2-95, 2-99	1005552	3-17, 3-21, 3-23, 3-27
04733-12	2-83	08236	2-83	1006400	3-27
06532	2-23, 2-25, 2-31	08708	2-7, 2-13, 2-15, 2-17, 2-23, 2-27, 2-41, 2-45, 2-47, 2-55, 2-59, 2-65	1006401	3-17
06548	2-65	08709	2-5, 2-7, 2-19, 2-35, 2-37, 2-39, 2-41, 2-43, 2-45, 2-47, 2-49, 2-55, 2-59, 2-65, 2-67, 2-95, 2-99, 2-115, 2-135, 3-13	1006415	3-19
06549	2-13, 2-23, 2-27, 2-59, 3-47	08711	2-21, 2-63	1006416	3-27
06922	2-73	08712	2-11, 2-51, 2-73, 2-77, 2-85, 2-87, 2-107, 2-109, 3-49	1006447	3-17
06927	2-19, 2-55	08713	2-51, 2-53, 2-55, 2-67, 2-71, 2-73, 2-77, 2-79, 2-81, 2-85, 2-87, 2-89, 2-91, 2-93, 2-95, 2-97, 2-99, 2-101, 2-105, 2-111, 3-7, 3-11, 3-13	1007220	2-87
06928	2-75	08714	2-71, 2-87, 2-91	1007482	2-55
06929	2-13	08716	2-51, 2-53, 2-77, 2-107, 2-109	1008916	2-17
06938	2-23, 2-27	08875	2-101, 2-102	1010668	3-23, 3-27, 3-31
06939	3-47	09005	2-79, 2-81	1010684	3-17
06942	2-7, 2-17, 2-23, 2-25, 2-27, 2-31, 2-33, 2-55, 2-59, 2-65	09007	2-95, 2-99, 2-109	1010836	3-17
06943	2-13, 2-41, 2-43, 2-45, 2-55			1011018	2-179
06944	2-75			1011019	2-179
06946	2-25, 2-31			1011020	2-179
06949	2-37			1011107	2-35, 2-37
06955	2-65, 2-105, 2-111			1011216	2-51, 2-53
06956	2-35, 2-37				
06957	2-73, 2-87				

CROSS REFERENCE

Part Number	Page Number	Part Number	Page Number	Part Number	Page Number
1011353	2-21	1018193	2-77	1019416	2-35
1011403	3-27	1018194	2-77	1019424	2-105, 2-111
1011412	3-17, 3-23, 3-29, 3-31	1018196	2-77	1019445	3-33, 3-35, 3-37
1011521	3-21	1018197	2-77	1019630	2-179
1011780	2-41, 2-43, 2-45, 2-47	1018199	2-77	1019636	3-5
1011799	2-55	1018202	2-77	1019646	3-25
1011885	3-5	1018203	2-73	1019647	3-38, 3-39
1011895	2-35, 2-37	1018206	2-77	1019939	2-35
1011899	2-41, 2-43, 2-45, 2-47	1018207	2-73	1019940	2-35
1012160	2-35	1018208	2-75	1019950	2-179
1012248	2-37	1018209	2-115	1019968	2-55
1013031	2-51, 2-53	1018210	2-77	1019971	3-33, 3-35, 3-37
1013086	2-35, 2-37	1018216	2-115	1020002	2-83
1013117	2-53	1018222	2-115	1020003	2-83
10137	1-1, 2-59	1018226	2-69	1020065	2-109
1013902	3-19	1018227	2-69	1020163	2-85
1014082	3-19	1018235	2-71	1020166	1-1, 2-85
1014563	2-55, 2-73, 2-77, 2-91, 2-113, 2-115, 3-41	1018236	2-77	1020168	2-7
1014575	3-19	1018237	2-77	1020186	2-19
1014705	2-83	1018239	2-71	1020207	2-85
1014929	3-27	1018240	2-75	1020208	2-85
1014974	3-5	1018241	2-69	1020209	2-101
1014986	3-27	1018244	2-77	1020263	2-109
1015012	2-181	1018245	2-77	1020320	2-113
1015033	3-5	1018252	2-115	1020331	2-109
1015041	2-55	1018253	2-77	1020335	2-109
1015045	2-107, 3-3, 3-11, 3-29, 3-47	1018258	2-71	1020394	2-135, 4-17
1015047	3-5	1018260	2-69	1020428	2-102
1015067	3-23, 3-31	1018262	2-69	1020434	2-181
1015220	2-73	1018266	2-69	1020487	2-13
1015547	2-23, 2-25	1018272	2-71	1020526	3-49
1015930	2-23, 2-25, 2-28, 2-33	1018274	2-75	1020540	2-7
1016463	2-77	1018275	2-69	1020548	2-95
1016624	2-51	1018276	2-69	1020602	2-51
1016837	3-3	1018280	2-75	1020708	2-135
1017141	2-181	1018293	2-75	1020828	2-85
1017218	2-7, 2-13, 2-19, 2-71, 2-77, 2-101, 2-105, 2-109, 2-111, 2-113, 2-135, 2-137, 3-5, 3-19, 3-27, 3-33, 3-35, 3-37, 3-47	1018296	1-1, 2-73	1020904	2-7
1017248	3-35, 3-38	1018300	2-71	1020949	2-41, 2-43, 2-45, 2-47
1017250	3-37, 3-39	1018333	3-23	1021019	2-79, 2-81
1017368	2-3	1018463	2-55	1021047	2-5, 2-75, 3-11
1017672	2-5, 2-75, 3-11	1018495	3-47	1021090	2-109
1017791	2-5	1018499	3-17, 3-47	1021210	3-5, 4-3
1017868	1-1, 2-89	1018549	2-179	1021265	2-15
1017903	2-61	1018776	2-13	1021290	2-59
1017944	2-73	1018780	3-19	1021325	3-3
1017947	2-39	1018883	3-17	1021327	2-5
1017969	2-51	1018884	3-17	1021404	2-91
1017978	2-41	1018936	2-135, 4-11	1021419	2-109
1017987	2-45	1018938	3-13, 4-13	1021439	3-9
1018059	2-56	1018939	2-23, 2-27	1021473	3-9
1018097	3-19	1019031	2-95	1021497	2-91
1018098	3-17, 3-27	1019146	2-83	1021511	2-89
1018142	2-51, 2-53	1019225	2-5	1021514	2-41, 2-45
		1019228	2-13	1021546	2-91
		1019250	3-47	1021564	3-9
		1019251	2-5	1021579	1-1, 2-133
		1019265	2-55	1021609	2-87
		1019273	2-55	1021617	3-9
		1019295	1-1, 2-93, 2-97	1021789	2-51
		1019394	2-35	1021794	3-7

CROSS REFERENCE

Part Number	Page Number	Part Number	Page Number	Part Number	Page Number
1021834	2-7	1023303	2-81	1025005	1-1, 3-7
1021878	3-19, 3-27	1023306	2-95	1025100	2-83
1021879	2-109	1023307	2-99	1025101	2-181
1021881	3-47	1023314	2-99	1025132	2-133
1021920	2-109	1023464	2-9	1025140	2-66
1021941	2-77	1023476	2-91	1025151	2-93, 2-97
1021991	2-135	1023482	2-35, 2-37	1025159	3-5
1022003	2-85	1023485	3-15	1025196	2-19
1022004	2-19	1023486	3-15	1025229	2-35, 2-37
1022005	2-13, 2-19	1023487	2-123	1025405	3-13
1022007	1-1, 2-85	1023488	2-121	1025435	2-7
1022009	1-1, 2-85	1023489	2-121	1025445	3-15
1022031	2-65	1023499	2-13	1025460	2-91
1022069	2-17	1023502	2-105, 2-111	1025480	2-105, 2-111
1022088	2-107	1023545	2-133	1025487	2-65
1022105	2-13	1023569	2-9	1025495	2-65
1022106	3-11	1023606	2-123	1025544	2-125
1022111	3-7	1023607	2-123	1025547	2-123
1022113	2-51	1023608	2-121	1025548	2-125
1022135	3-7	1023609	2-121	1025551	2-127
1022137	2-105, 2-111	1023611	2-123	1025601	2-91
1022140	2-67	1023617	2-79	1025619	2-109
1022165	2-85	1023754	2-113	1025620	2-109
1022167	2-109	1023769	2-125	1025663	3-51
1022176	2-101	1023779	2-87	1025680	2-87
1022179	2-85	1023853	2-55	1025736	2-13
1022182	2-102	1023879	3-41	1025756	2-115
1022188	3-7	1023926	2-15	1025806	2-19
1022229	3-5	1024141	2-179	1025841	2-115
1022243	2-65	1024157	2-15	1025872	2-113
1022260	3-7	1024237	3-27	1025887	2-113
1022265	3-41	1024249	2-61	1025888	2-113
1022266	3-41	1024251	2-129, 4-7	1025904	2-69
1022276	3-41	1024260	2-15, 4-21	1025916	2-13
1022302	3-7	1024274	2-59	1025990	3-15
1022318	3-11	1024389	2-101	1025991	3-15
1022345	2-67	1024403	2-109	1025992	3-15
1022359	2-85	1024425	2-13	1026003	2-55
1022363	2-85	1024464	2-13	1026007	2-87
1022364	2-23, 2-25	1024478	2-15	1026014	2-109
1022370	2-109	1024500	2-19	1026025	2-65
1022372	2-87	1024535	2-105, 2-111	1026051	2-105, 2-111
1022377	2-113	1024558	2-105, 2-111	1026067	3-19
1022442	2-87	1024570	2-85	1026074	3-17
1022482	2-135	1024576	2-95, 2-99	1026080	2-79, 2-81
1022484	2-135	1024584	2-93, 2-97	1026108	2-85
1022545	2-91	1024586	1-1, 2-93, 2-97	1026119	3-13
1022666	2-129	1024591	2-101	1026146	3-43
1022699	2-7	1024599	2-105, 2-111	1026222	2-2
1022736	2-65	1024641	2-87	1026223	2-2
1022779	2-67	1024648	2-87	1026319	2-131
1022787	2-67	1024651	2-93, 2-97	1026352	2-79, 2-81
1022794	2-51	1024688	2-125, 2-127	1026550	2-35, 2-37
1022798	2-67	1024695	2-15	1026576	2-59
1022825	2-95, 2-99	1024703	2-87	1026628	2-19
1022831	2-89	1024764	2-125	1026645	2-123
1022846	2-93, 2-97	1024853	2-113	1026647	2-131
1022978	2-99	1024891	2-113	1026664	2-35
1023239	2-89	1024934	2-39	1026665	2-19
1023288	2-21	1024977	3-51	1026726	2-19

CROSS REFERENCE

Part Number	Page Number	Part Number	Page Number	Part Number	Page Number
1026727	2-105	1028753	2-53	1031413	2-83
1026733	2-125	1028769	2-11	1031439	2-21
1026743	3-47, 4-23	1028772	2-11	1031543	2-17
1026746	3-51	1028821	2-131	1031553	2-47
1026759	2-35, 2-37	1028822	2-131	1031557	2-17
1026825	2-13	1028823	2-131	1031572	3-5
1027007	3-47	1028852	2-85	1031575	2-75
1027039	2-111	1028924	2-37	1031609	2-43
1027099	2-55	1028929	2-53	1031610	2-109
1027103	2-55	1028972	2-97	1031614	2-43, 2-47
1027218	2-7	1028979	2-97	1031665	2-7, 2-11, 2-13, 2-15, 2-19
1027228	2-59	1028994	2-53	1031699	2-109, 4-3
1027233	2-67	1029055	3-47	1031796	4-23
1027237	3-47	1029057	3-47	1031797	4-23
1027267	2-7	1029082	2-25, 2-31	1031798	4-23
1027284	2-11	1029118	3-19	1031799	4-23
1027290	1-1, 2-102	1029128	2-93	1031800	4-23
1027313	2-67	1029132	2-93	1031801	4-23
1027320	2-125	1029153	3-47	1031801	4-23
1027321	2-125	1029155	3-47	1031802	4-23
1027353	2-181	1029156	3-47	1031803	4-23
1027372	2-181	1029185	2-107	1031823	1-1, 2-93, 2-97
1027381	2-101	1029293	2-37	1031826	2-5
1027560	3-51	1029295	2-37	1031827	2-5
1027688	2-3	1029362	2-11	1031945	1-1, 2-89
1027697	2-2	1029379	3-7, 4-9	1032216	2-179
1027716	1-1, 3-7	1029399	3-47	1032242	2-49
1027719	1-1, 2-89	1029497	3-5	1032323	2-43, 2-47
1027759	3-53	1029543	3-51	1032399	2-67
1027798	3-35, 3-37, 3-38, 3-39	1029545	2-17	1032450	2-181
1027800	3-35, 3-37, 3-38, 3-39	1029646	2-69	1032578	3-53
1027810	2-83	1029652	2-17	1032743	2-79, 2-81
1027856	2-41, 2-43, 2-45, 2-47	1029748	2-102	1032812	2-37
1027916	2-5	1029790	3-47	1032830	3-41
1027926	3-9	1029964	2-79, 2-81	1032831	3-41
1027976	3-47	1030017	2-7	1032869	3-49
1027978	3-47	1030073	2-21	1032896	3-49
1028074	2-107	1030404	2-121	1033156	2-19
1028136	2-53	1030441	4-24	1033297	3-19
1028173	2-109	1030444	4-24	1033428	2-49
1028203	2-63	1030511	3-23, 3-31	1033591	2-73
1028211	2-109	1030549	3-43	1033624	2-179
1028328	2-109	1030588	2-13, 2-19	1033644	1-1, 2-49
1028343	2-33	1030593	2-7	1033746	2-37
1028374	2-89	1030617	2-102	1033897	2-37
1028412	2-19	1030709	2-127	1033901	2-37
1028516	2-19	1030863	3-17	1033975	2-7
1028522	2-109	1030864	3-17	1034147	2-91
1028558	2-53	1030878	3-17	1034149	2-91
1028559	2-53	1030910	2-83	1034655	2-37
1028570	2-109	1030911	2-83	1034676	2-37
1028582	3-17	1030969	2-2	1034764	2-9
1028590	2-63	1031011	1-1, 2-93, 2-97	1034765	2-9
1028635	2-95, 2-99	1031017	2-181	1034766	2-9
1028690	2-105, 2-111	1031206	2-13	1034767	2-13
1028691	2-105, 2-111	1031233	2-101	1034768	2-9
1028697	3-5	1031235	2-102	1034769	2-9
1028701	2-105, 2-111	1031309	2-111	1034770	2-9
1028711	2-25	1031312	2-25, 2-31	1034878	2-133
1028722	2-31	1031331	1-1, 2-89	1035031	2-49

CROSS REFERENCE

Part Number	Page Number	Part Number	Page Number	Part Number	Page Number
1035044	2-109	1039789	2-137	10632-4	2-75
1035056	2-49	1040018	2-85	10832	2-21
1035068	2-17	1040117	2-137	10917	4-23
1035222	2-55	1040216	2-123	11442-1	2-33
1035530	2-49	1040306	2-101	11531	2-51, 2-53, 2-55
1035727	2-91	1040318	2-131, 2-133	11842	2-67
1035771	2-49	1040467	2-15, 2-17, 2-56, 2-69	11984	3-19
1035794	3-27	1040524	2-2	12295	2-79, 2-81
1035832	2-7	1040620	2-179	12309	2-75
1035976	2-56	1040628	2-125	12317	2-5, 2-77, 2-87, 3-11
1035997	2-7	1040655	2-123	12323	2-75
1036240	2-75	1040800	3-49	13534	2-79, 2-81
1036611	2-73	1040834	3-11	13698	2-131
1036801	3-27	1040841	2-9	13904	4-11, 4-13, 4-15, 4-17, 4-19
1036892	2-11, 2-43, 2-47	1040863	3-51	13907	4-7, 4-17
1036939	2-125	1040871	3-51	14432	2-41, 2-43, 2-45, 2-47
1036944	3-15	1040876	2-137	14595-1	2-65
1036945	2-123	1041006	2-73	14605	2-65
1036959	2-131	1041151	2-33	14838	2-3
1036965	3-15	1041152	2-33	14877	3-3, 3-5, 3-17, 3-27
1036997	2-107	1041291	2-56	150100	3-17
1037011	3-13	1041920	2-73	150516	2-25, 2-33
1037042	2-127	1041953	2-105, 2-111	150525	3-19
1037053	2-127	1041984	2-73	150538	3-27
1037235	2-73	1042003	2-105	150540	3-27
1037346	2-5, 2-59, 2-75, 2-109, 2-115	1042010	2-111	150709	3-27
1037671	2-73	1042028	2-21	150713	3-27
1037805	3-13, 4-15	1042499	2-3	15331	2-17
1037809	3-32	1042500	2-3	15539	2-3
1037816	2-109	1042504	2-3	15543-2	2-41, 2-45
1037825	3-23, 3-31	1042710	4-24	15648	2-105, 2-111
1037940	2-61	1042711	4-24	15675	2-79, 2-81, 2-105, 2-111
1037947	2-73	1042775	2-125	15678	2-73, 3-27
1037947	2-73	1042776	2-125	16213	2-67
1037970	2-17	1042968	3-7	16411	1-1
1037971	2-17	1043481	2-25, 2-33	16412	1-1
1037972	2-17	1044323	2-71	16431	2-123
1038074	2-107	1044342	3-27	16695	4-8, 4-9
1038115	3-9	1044343	3-27	16735	2-49, 2-109, 3-9
1038137	2-83, 2-87, 2-95, 2-99, 3-9	1044367	2-137	16931	2-7, 2-13, 2-17, 2-19, 2-35, 2-37, 2-39, 2-41, 2-43, 2-45, 2-47, 2-49, 2-61, 2-65, 2-113
1038258	2-79, 2-81	1045272	3-13	16944	2-69
1038499	2-55	1045444	3-51	16968	2-11
1038566	2-137, 4-19	1045759	2-127	17185	2-79, 2-81, 3-17
1038569	2-121	1045764	2-55	17284	3-11
1038805	2-101, 2-102	1046798	2-109	17414	2-39
1038927	2-109	1047098	2-101, 2-102	17461	2-77, 2-83, 2-95, 2-99, 3-9
1038941	2-109	1047169	2-7	17521	2-107
1039019	3-5	1047295	2-7	17980	2-15
1039049	2-109	1047625	4-15	19064	2-55, 2-73, 3-45
1039064	2-107	1048474	2-101, 2-102	19065	2-13
1039072	2-109	1048512	2-101, 2-102	19066	2-13, 2-19, 2-49, 2-59, 2-69, 3-33, 3-35, 3-37, 3-38, 3-39, 3-47
1039163	2-71	1049242	2-73	19191	3-7
1039215	2-71	1049254	3-27		
1039348	2-95, 2-99	1049259	3-27		
1039357	3-27	1050295	3-41		
1039396	2-85	10632-1	2-75		
1039521	2-35	10632-13	2-75		
1039652	2-109	10632-17	3-38, 3-39, 3-41		
1039757	2-101, 2-102	10632-19	3-17, 3-27		
		10632-2	3-5		

CROSS REFERENCE

Part Number	Page Number	Part Number	Page Number	Part Number	Page Number
19312	2-25, 2-31	24265	2-19, 3-3	32975	2-73
19313	2-49, 3-41	24299	2-3	32981	2-35, 2-37, 2-113
19315	2-21, 2-25, 2-31	24339	2-61	32983	2-13, 2-49
19317	2-25, 2-31	24358	2-109, 4-3	32987	2-61
19583	2-61	24543	3-5	32988	2-49
19760	2-39	24544	3-3, 3-17, 3-27	331380	3-53
20021	2-75	24555	2-89, 2-91	331381	3-53
20170	2-65	24928-1	2-39	331382	3-53
20394	2-17, 3-47	24976	2-21	331383	3-53
20634	2-73	25014	2-53	331385	3-53
20778	2-59	25046	3-7	33295	3-3
20833	1-1, 2-91	25122	1-1, 2-133	33373	2-91
20944	3-5	25312	3-52	33401	2-85
20951	3-5	25611	3-7	33580	4-5
20952	3-5	25686	2-79, 2-81	33671	2-59
21168	2-19	25735	2-91, 2-93, 2-97	33812	2-137
21196	3-51	26496	2-39	33932	2-19, 2-67, 2-93, 2-97, 3-3
21197	2-35, 2-67	27048	2-33, 2-35, 2-39	34178	4-5
21198	2-129, 3-43	28854	4-9	34323	2-115
21601	2-89	29557	3-9	34359	3-13
21602	2-89	29558	3-9	35493	4-10
21603	2-89	29584	2-87	35707	2-39
21606	2-89	30407	2-55	35710	2-39
21623	2-75	31241	2-115	35904	2-131
21657	4-22	31354	4-8, 4-9	360023	2-63
21659	4-22	31375	4-8	360074	2-63
21851	2-13	31379	4-8	360270	2-63
21933	4-21	31383	4-8	360271	2-63
21934	4-21	31543	3-31	360272	2-63
21935	4-21	31613	1-1, 2-133	360273	2-63
21955	4-9	32126	2-61	360274	2-63
21956	4-9	32183	2-75, 3-5	360275	2-63
21958	4-9	32483	2-13, 2-15, 2-23, 2-25, 2-27, 2-31, 2-35, 2-37, 2-41, 2-45, 2-51, 2-53, 2-55, 2-73, 2-75	360276	2-63
222267	2-101, 2-102			360801	2-95, 2-99, 2-109
222268	2-71, 2-77			360802	2-63
222290	2-59			360824	2-73, 3-49
222463	2-93, 2-97	32485	2-21, 2-49, 2-53, 2-67, 2-83, 2-91, 2-115, 2-129	360952	2-73
222496	2-51, 2-53, 2-79, 2-81			361044	2-123
222505	2-51, 2-53, 2-91			361047	3-15
222516	2-105, 2-111	32486	2-15, 2-21, 2-55, 2-63, 2-75, 3-9	361071	2-11
22290	2-15			361073	2-11
22297	2-55	32490	2-7, 2-21, 2-25, 2-31, 2-33, 2-55, 2-59, 2-65, 2-67, 3-17, 3-19	361075	2-11
22308-6	2-39			361339	2-65, 2-67, 2-75, 2-85, 3-3, 3-17, 3-19
223080	2-13	32491	2-5, 2-7, 2-13, 2-15, 2-17, 2-35, 2-37, 2-39, 2-41, 2-43, 2-45, 2-47, 2-49, 2-53, 2-55, 2-61, 2-65, 2-67, 2-79, 2-81, 2-83, 2-85, 2-105, 2-109, 2-111, 2-131, 2-133, 2-135, 3-9, 3-11, 3-13, 3-41, 3-49	363162	2-89
223198	2-83			36328	2-95, 2-99
223470	3-7			363301	2-89
223599	2-11			363458	2-5
22790	4-3			363976	2-7, 2-49
23156	2-39			364347	2-65
23211	2-69			364441	2-89
23285	4-3			364587	2-69
23498	2-105, 2-111, 2-113, 2-115	32492	2-5, 2-13, 2-35, 2-39, 2-53, 2-67, 2-75, 2-131, 3-7, 3-41, 3-43, 3-51	364749	2-13
23524-1	2-87			364864	2-65
23788	2-65			364948	2-65
24012	2-51, 2-53			365004	3-15
24047	2-39			365164	2-41, 2-45
24105	3-3	32493	2-21	36643	2-39, 2-67, 2-113, 2-115
24196	3-33, 3-35, 3-37, 3-38, 3-39	32716	2-39, 2-49		
		32746	2-3		

CROSS REFERENCE

Part Number	Page Number	Part Number	Page Number	Part Number	Page Number
36644	2-83	371956	5-3	372022	5-3
36658	2-73	371957	5-3	372023	5-3
36661	2-73	371958	5-3	372024	5-3
367313	2-87	371959	5-8	372025	5-3
367679	2-73	371960	5-8	372026	5-3
367770	2-87	371961	5-8, 5-11	372027	5-3
367771	2-5	371962	5-5	372028	5-3
367949	2-101, 2-102	371963	5-5	372029	5-3
367974	3-43	371964	5-5	372030	5-3
368391	2-13	371965	5-5	372031	5-3
36845	3-9	371966	5-5	372032	5-3
369359	3-7, 3-51	371967	5-5	372033	5-3
369704	2-59	371968	5-5	372034	5-3
369745	2-41, 2-43, 2-45, 2-47	371969	5-5	372035	5-3
369746	1-1, 2-41, 2-43, 2-45, 2-47	371970	5-5	372036	5-3
369747	2-41, 2-43, 2-45, 2-47	371971	5-5	372037	5-3
369811	3-3	371972	1-1, 2-21, 5-8	372038	5-3
370100	2-89	371973	5-8	372039	5-3
371527	2-49	371975	5-8	372040	5-11
371770	2-33	371976	5-5	372041	5-11
371790	3-53	371978	5-5	372042	5-11
371854	2-43, 2-47	371979	5-5	372043	5-11
371855	2-21	371980	5-7	372044	5-11
371860	2-21, 2-51, 2-53	371981	5-7	372046	5-11
371861	2-51, 2-53	371983	5-7	372047	5-3
371863	2-49	371984	5-7	372048	5-3
371865	2-49	371986	5-7	372049	5-9
371866	2-21	371987	5-7, 5-8	372050	5-9
371868	2-21	371988	5-7	372051	5-9
371869	2-21	371990	5-3, 5-7	372052	5-9
371870	2-21	371991	5-7	372053	5-9
371871	2-49	371992	5-8	372054	5-12
371872	2-49	371993	5-7	372055	5-12
371876	2-21	371994	5-7	372056	5-12
371877	2-21, 2-33	371995	5-8	372057	5-12
371890	2-21	371996	2-21, 5-7	372058	5-12
371931	5-5	371997	5-7	372059	5-12
371932	5-5	371998	5-7	372060	5-12
371933	5-5	371999	5-3, 5-5	372066	5-9
371934	5-5	372000	5-7	372235	2-179
371935	5-5	372001	5-7	372236	2-179
371936	5-5	372002	2-21, 5-7	372237	2-179
371937	5-5	372003	5-7	372440	1-1, 2-35, 2-37
371938	5-5	372004	5-7	372470	2-25, 2-31
371940	5-8	372005	5-7	372482	2-27
371941	5-8	372007	5-3	372484	2-27
371942	5-5	372008	5-3	372486	2-23
371943	5-8	372009	5-11	372489	2-23
371944	5-5	372010	5-11	372491	2-51
371945	5-5	372011	5-11	372493	2-23, 2-27
371946	5-5	372012	5-11	372497	2-28
371947	5-7	372013	5-11	372498	2-27
371948	5-7	372014	5-11	372500	2-27
371949	5-7	372015	5-11	372501	2-28
371950	5-7	372016	5-11	372503	2-27
371951	5-7	372017	5-11	372506	2-27
371952	5-7	372018	5-3	372507	2-27
371954	5-3	372019	5-3	372510	2-27
371955	5-3	372020	5-9	372511	2-27
		372021	5-9	372512	2-27

CROSS REFERENCE

Part Number	Page Number	Part Number	Page Number	Part Number	Page Number
372514	2-27	373236	4-5	373684	4-15, 4-19
372515	2-27	373260	4-5	373685	4-15, 4-19
372517	2-27	373291	4-5	373686	4-15, 4-19
372518	2-27	373297	4-5	373688	4-19
372523	2-27	373298	4-5	374560	2-61
372528	2-27, 2-33	373299	4-5	374563	2-61
372529	2-33	373317	4-7	375321	3-47
372534	2-23, 2-25, 2-31	373327	4-7	375322	3-3
372536	2-49	373346	4-7	37555	4-8, 4-9
372537	2-23, 2-27	373347	4-7	37616	4-5
372539	2-33	373348	4-7	377236	3-15
372541	2-21	373389	4-7	377349	2-102, 3-3
372542	2-23	373391	4-7	377537	1-1
372543	2-23, 2-25, 2-31	373393	4-7	377538	1-1
372544	2-23, 2-25, 2-27	373394	4-7	377540	1-1
372545	2-23, 2-25	373395	4-7	37756	4-5
372546	2-23	373398	4-7	379609	2-61, 4-5
372547	2-23, 2-25, 2-27, 2-31	373402	4-7	379791	2-77
372548	2-25, 2-27, 2-31	373413	4-7	379870	2-95, 2-99
372549	2-23, 2-25, 2-27, 2-31	373427	4-7	381502	2-65
372550	2-23, 2-25, 2-27, 2-31	373429	4-7	381858	2-123
372554	2-21	373434	4-7	381862	2-123
372556	2-21	373493	4-7	382099	2-83
372557	2-49	373494	4-7	382224	2-65
372558	2-27	373631	4-17	382320	2-101, 2-102, 2-109,
372560	5-8	373633	4-11, 4-13, 4-15, 4-19		3-52
372563	2-23	373637	4-11, 4-19	382516	2-11
372566	2-23	373639	4-11, 4-19	38255	4-5
372567	5-7	373640	4-11, 4-13, 4-15, 4-17,	383165	2-11
372569	2-27		4-19	383912	2-35
372572	5-7	373642	4-13, 4-15, 4-17, 4-19	384418	2-19, 2-93, 2-97
372573	5-3	373646	4-13, 4-15, 4-17	384419	2-19
372574	5-3	373647	2-137, 4-11, 4-13,	384442	2-49, 2-51, 2-53
372575	1-1, 5-12		4-15, 4-17, 4-19	384961	5-5
372576	2-27	373648	4-11, 4-13, 4-17	384962	5-8
372577	2-27	373656	4-11, 4-13, 4-15, 4-19	384963	5-5
372579	2-27, 2-31	373657	4-11, 4-13, 4-15, 4-17,	384964	5-5
372580	2-27		4-19	384966	5-7
372582	2-27	373658	4-11, 4-13, 4-15, 4-17,	384968	5-7
372603	5-12		4-19	384970	2-33
372605	2-27	373659	4-11	384971	2-33
372606	2-27	373660	4-11, 4-19	384972	2-25, 2-31
372607	2-27	373661	4-13	384973	2-33
372608	2-27	373662	4-13, 4-15	384974	2-25, 2-31
372609	2-27	373663	4-13, 4-15, 4-17, 4-19	384975	2-33
372610	2-27	373664	4-13, 4-15, 4-17, 4-19	384976	2-31
372611	2-27	373665	4-17, 4-19	384977	2-33
372612	2-27	373666	4-17, 4-19	384978	2-33
372613	2-27	373667	4-17, 4-19	384979	2-33
372615	1-1, 2-27, 2-33	373668	4-17, 4-19	384980	2-31
372616	5-11	373669	4-17	384983	2-33
372857	2-27	373670	4-13, 4-17	384984	2-33
372858	2-23	373671	4-17, 4-19	384985	2-25, 2-31
372862	2-21	373672	4-13, 4-15, 4-17, 4-19	384986	2-33
372863	3-53	373673	4-13, 4-17	384990	2-179
372882	5-3	373678	4-7	384991	2-31
372898	2-27	373679	4-7	384992	2-25
372953	2-21	373680	4-7	384995	2-25, 2-31
373217	4-5	373681	4-7	384996	2-31
373226	4-5	373683	4-15	384997	2-179

CROSS REFERENCE

Part Number	Page Number	Part Number	Page Number	Part Number	Page Number
384998	2-179	398279	2-41, 2-43, 2-45, 2-47	47513	2-129
384999	2-179	398468	2-35, 3-17	47522	2-61, 2-135
385009	2-37	398474	3-17	47585	2-15
385029	2-21	398500	3-47	47638	2-69
385644	3-21, 3-23, 3-29, 3-47	398501	2-11	47801	2-61
385685	2-102, 2-109, 3-5	398508	2-11	48079	2-67
386088	2-95, 2-99	39924	2-75	48126	2-37
386264	2-89	40362	2-133	48267	2-35
386298	2-89	40607	2-75	48813	4-10
386652	3-5	40678	2-131	48985	2-83, 3-9
387237	2-89	41130	2-113	48996	2-49
387433	2-89	41141	2-85	48998	2-49
387500	2-89	41142	2-49	49145	2-63
388552	5-11	41169	2-67	49266	2-11, 2-23, 2-25, 2-61, 3-17, 3-38, 3-39
38968	4-5	41178	2-13, 2-19, 2-56, 2-115	49697	2-93, 2-97
390994	2-101	41185	2-95, 2-99	49800	2-13, 2-55
391368	2-17	41186	2-49, 2-67, 2-105, 2-111, 2-113, 3-9	49883	2-135
39210	2-135, 3-13	41187	2-67, 2-87, 2-95, 2-99	49933	2-113, 2-135, 2-137
392171	2-11	41295	3-3, 3-5	50161	2-131
392609	2-113	41315	2-107	50178	3-11
392629	2-35	41346	3-9	50335	2-21, 2-67
392645	2-39	41361	2-21	50544	2-107
39277	2-5, 2-7, 2-35, 2-37, 2-39, 2-41, 2-43, 2-45, 2-47, 2-55, 2-73, 2-105, 2-111, 2-131, 2-133	41399	2-67	50646	2-75
39278	2-67	41430	2-39, 2-55, 2-115, 2-131, 3-41, 3-51	50960	2-115
39279	2-65	41445	2-95, 2-99	51109	2-65
39281	2-91	41619	2-83, 2-87, 2-95, 2-99	51176	2-21
39283	2-5, 2-7, 2-21, 2-131	42011	2-49	51305	2-23, 2-25, 2-28, 2-33, 2-55
39284	2-51, 2-53, 3-51	42120-1	2-69	51338	2-61
39285	2-115	42120	2-83	51339	2-61
39308	2-95, 2-99	42133A	3-3, 3-17, 3-27	51754	2-125
39311	2-7, 2-49, 2-73	42180	2-67	51787	2-131
39312	2-73	42215	2-115	51824	2-83
393135	2-93, 2-97, 3-49	42223	2-61	51839	2-23, 2-25, 2-28, 2-33
393209	2-49	42226	2-113, 2-135, 2-137, 3-13	52405	4-5
393215	2-61, 2-69	42467	2-67	53076	2-129
393255	3-11	43555	2-89, 2-105, 2-111	53400-1	2-39
39349	2-7, 2-13, 2-19, 2-49, 2-61, 2-67, 2-95, 2-99, 2-101, 2-105, 2-111	43844	2-23, 2-25, 2-28, 2-33, 2-55, 2-56, 3-3, 3-5, 3-27	53466	2-5, 2-7, 2-55, 2-59, 2-131, 3-19
39350	2-61	44868	2-79, 2-81, 2-115, 2-129, 2-135, 3-13	53485	2-115, 4-10
394916	2-179	44869	2-115, 2-129, 2-133, 3-13	53947	2-67
394921	2-179	45622	4-5	53953	2-67
39527	4-8	45623	4-5	54017	2-121
39534	2-113	45628	4-8, 4-9	54051	2-61
395825	2-77	46236	3-35, 3-37	54052	2-61
395973	2-135, 3-13	46314	2-23, 2-27	54087	2-61
395974	2-135, 2-137, 3-13	46480	2-135	54095	4-10
396221	2-121	46481	2-131	54205	2-67
396255	2-123	46482	2-133, 2-137	54274	2-55, 2-113, 2-115
396266	2-123	46559	2-67	54275A	2-113, 2-115
396438	2-123	46563	2-65	54333	2-25, 2-33, 2-35, 2-37, 2-59, 3-11, 3-17, 3-21, 3-23, 3-27, 3-29, 3-31
396476	2-135, 3-13	46785-1	2-87	54390	2-63
397648	3-43	46800	3-7	54607	2-65
39785	2-49	47504	3-13	54615	2-109
39810	2-21	47512	2-129	54655	2-67
39811	2-83			54861	2-113
				55272	3-35, 3-37, 3-38, 3-39

CROSS REFERENCE

Part Number	Page Number	Part Number	Page Number	Part Number	Page Number
55455	2-133	63451	3-43, 3-45	73260	3-3, 4-22
55586	2-79, 2-135, 2-137, 3-13	63468	2-91	73281	2-61
55685	3-13	63810	2-23, 2-25, 2-28, 2-33, 2-107, 3-3, 3-5, 3-11, 3-21, 3-23, 3-29, 3-31, 3-47	73342	4-3
55845	3-43, 3-45, 3-51			73411	2-67
55926	4-7	63923	4-22	73433	3-3
56078	2-79, 2-81	64379	2-77	73468	3-3
56185	2-15	64425	2-91, 2-93, 2-95, 2-97, 2-99, 3-7	73471	2-23, 2-25, 2-28, 2-33, 2-55
56186	3-17, 3-27, 3-47	64743	3-17	73736	2-11
56690	2-15, 2-133, 3-13, 3-15	64778	3-47	74077	2-19
56692	3-7	65145-1	2-129	74090	2-105, 2-111
56820	2-15, 2-135, 2-137, 3-13	65180	2-91	74094	4-8, 4-9
56821	2-129, 3-7	65215	2-133	74095	4-8
56835	2-15	65230	4-9	74098	4-8, 4-11, 4-17, 4-19
56976A	2-39	65241	4-8	74099	4-8
56992	2-11	65441	2-67	74100	4-8, 4-9
57189	2-113	65441	2-67	74122	4-5
57248	3-27	65580	3-45	74123	4-5
57297	2-39	65580	3-45	74125	4-5
57315	2-61	65695	2-79, 2-81	74165	4-5
57702	3-51	67004	3-43, 3-45	74166	4-5
57804	2-59, 2-179	67555	2-83	74167	4-5
57946	2-125	67767	2-33, 2-55, 2-67	74168	4-5
58311	2-65	67811	2-129	74180	4-7
58494	2-13	68866	2-67	74183	4-21
58589	2-39	68869	2-59	74185	4-21
58590	2-39	69173	2-135, 2-137	74193	4-21
58592	2-133	69582	2-65	74196	4-21
58819	2-5, 2-7, 2-66	69657	3-43, 3-45	74222	4-21
58842	2-61	69659	3-43, 3-45	74225	4-7
58979	2-109	69785	2-102	74226	4-7
59009	2-65	70096	4-7	74232	4-21
59156	2-39, 3-9	70100	4-7	74233	2-113, 4-10
59194	2-95	70157	2-7	74237	4-7
59195	2-99	70563	2-79, 2-81	74243	4-21
59378	4-10	70622	2-15	74244	4-21
59542	2-69	70623	2-15	74245	4-21
59577	2-15, 2-137, 3-15	70709	2-15	74250	4-8, 4-9
59633	3-9	70717	2-15	74440	2-67
59649	2-115	71204	2-87	74454	2-115
59668	2-67	71340	2-61	74455	2-5, 2-55, 2-131
59735	2-115	71341	2-61	75456-3	2-113
59967	2-115	71367	2-65	75456-4	2-113
60090	2-131, 3-13	71369	2-83	75968	2-15
60295	2-59	71556	2-123	76099	2-85, 3-19, 3-23, 3-31
61490	4-8, 4-9	71607	2-95, 2-99	761490	2-5, 3-11
61920	3-33	71726	2-133	762249	3-17
62471	2-131	71727	2-135, 2-137	762514	2-59
62595-15	2-37	71729	2-79, 2-81, 4-8	763042	2-71
630371	3-3	71735	2-123	763090	2-83
63175-1	3-9	71741	2-123	763114	3-17
63233	3-9	71868	3-9	763115	3-38, 3-39
63234	2-67	71869	3-9	763116	2-73, 3-17, 3-23, 3-31
63244-2	3-3	71874	3-9	76316	2-135, 3-15
63245-1	3-17	71941	2-17	76426	2-109
63378	2-39	72897	2-69	76570	2-105, 2-111
63430	3-43, 3-45	72926	2-61	768481	2-15
63448	3-43, 3-45	72968	3-45	76888	2-13
		72970	2-15	76958	2-49
		73027	2-15	769785	3-47

CROSS REFERENCE

Part Number	Page Number	Part Number	Page Number	Part Number	Page Number
77003	4-11, 4-17	9000846	3-37, 3-39	9003926	3-53
77005	4-11, 4-13, 4-15, 4-17	9000879	3-35, 3-37, 3-38, 3-39	9004117	2-101
77006	4-17	9001310	3-47	9004475	4-19
77097	2-77, 2-87, 2-95, 2-99, 2-135, 2-137, 3-9	9001314	3-41	9004493	2-89
77098	2-83, 3-9	9001316	3-52	9004514	4-24
77221	2-181	9001321	3-33	9004515	3-27, 4-24
78122	2-39	9001327	3-35	9004674	5-11
78398	3-3, 4-3	9001331	3-37	9004675	5-11
78829	4-3	9001334	3-43, 3-45	9004880	2-11
78830	4-3	9001338	3-51	9004983	2-53
78833	4-3	9001717	3-39	9006398	2-79, 2-81
78836	4-3	9001718	3-38		
78838	4-3	9002380	2-7		
78839	4-3	9002381	2-7		
78840	4-3	9002391	2-11		
78841	4-3	9002392	2-11		
78842	4-3	9002393	2-55		
78843	4-3	9002394	2-51, 2-53		
78875	4-22	9002395	2-35		
78950	4-23	9002398	2-133		
78951	4-23	9002399	2-5		
78952	4-23	9002400	2-5		
79273-1	3-21, 3-23	9002401	2-5		
79273-2	2-107	9002409	2-7		
79380	2-113	9002435	2-11		
79399	2-21	9002553	1-1		
79484	3-3	9002554	1-1		
79497	3-3	9002555	1-1		
79506	2-105, 2-111	9002613	1-1		
79729	4-5	9002683	2-115		
79828	4-5	9002684	2-113		
80288	2-7	9002708	4-3		
80395	2-89, 2-105, 2-111	9002709	4-3		
80409	2-91	9003008	4-24		
80950	2-91	9003009	4-24		
81784	2-95, 2-99	9003068	2-102		
81952	2-91	9003069	2-101		
82727	2-7	9003070	2-102		
82739	2-75	9003071	2-101		
82839	3-11	9003313	2-109		
83578	2-23, 2-25, 2-28, 2-33	9003345	5-3		
83874	1-1, 2-89	9003390	2-25		
83879	2-67	9003391	2-31		
84170	2-67	9003422	2-7		
84596	2-61	9003423	2-7		
84597	1-1, 2-61	9003425	2-7		
86508	3-3	9003426	2-7		
86636	2-109	9003428	2-7		
86659	2-63	9003429	2-7		
86751	2-65	9003431	2-7		
86759	3-7	9003432	2-7		
86866	2-83	9003433	2-7		
87536	2-11	9003449	2-109		
87631	2-79, 2-81	9003453	2-11		
87730	2-35	9003455	2-113		
87816	2-95, 2-99	9003461	2-113		
87866	1-1, 2-11	9003610	2-37		
9000355	2-35, 2-37	9003793	2-105		
9000845	3-35, 3-38	9003794	2-111		
		9003832	2-53		

PART DESCRIPTION TO PAGE NUMBER CROSS REFERENCE LIST

A

Ace, Thrust, Motor, Hyd [En], 4-9
 Actuator, Valve, By-Pass [En], 4-7
 Adapter [1.6], 2-27
 Adapter, Intake, Throttle Body, 2-23, 2-25, 2-31
 Adapter, Plate, 2-27
 Adapter, Rod-End, Side Brush, 3-9
 Adapter, Throttle Body, 2-27
 Adapter, Valve, 400mm [Bosch], 2-31
 Adapter, Valve, Fuel Trim, 2-27
 Alarm Assy, Backup, 12-24vdc 82-107dba, 3-33
 Alarm Kit, Backup, Ci [M20 And T20], 3-33
 Alarm, Warning [Sonalert, St628], 2-59
 Alternator, 12vdc 075a [Multi Grv], 2-49
 Angle, Brace, Shrd, 2-19
 Angle, Lh, 2-87
 Angle, Mtg, Stl, .12 1.6 1.6 02.2l, 2-131
 Angle, Mtg, Valve, 3-11
 Angle, Retainer, 2-71
 Angle, Rh, 2-87
 Angle, Sppt, Fan, 2-113
 Angle, Sppt, Tank, Rear, 2-101
 Arm [Positioning], 2-67
 Arm Wldt, Lift, Sqge, Lh, 2-99
 Arm Wldt, Safety, Sppt, Seat, .38d 06.5d, 2-13
 Arm Wldt, Safety, Sppt, Seat, .38d 10.1l, 2-109
 Arm Wldt, Sqge, Lift, Rh, 2-95
 Arm, Cntrl, Pintle, Centering, 2-67
 Arm, Lever, Brake, 4.1 [Knott], 2-63
 Arm, Link, 3-9
 Arm, Pinch, 2-105, 2-111
 Arm, Pintle, 2-67
 Arm, Rocker, Valve, 5-3
 Arm, Sqge, Side, Lh, 2-99
 Arm, Sqge, Side, Rh, 2-95

B

Bag, Power, 3-45
 Ball, Camshaft, 5-11
 Bar Wldt, Retainer, Sqge, Rear, 2-89
 Bar, Flat, Ss, .06 X .50 X 10.0l 2/.19sl, 2-11
 Bar, Flat, Stl 0.19, 01.50 X 04.1l, 2-61
 Bar, Isolator, Vacfan, 2-115
 Bar, Mtg, Hppr Cover, 2-73
 Bar, Mtg, Hppr, 2-71
 Bar, Retainer, 3-7
 Bar, Rnd, Plstc, 0.31d 12.5l, 2-101, 2-102
 Base Assy, Fan, W/O Pulley, 2-49
 Base Assy, W/ Pulley [Gm1.6l 2007], 2-49
 Battery, 12vdc, 0475cca, Ah, Wet, 2-59
 Battery, Wet, 12vdc 0475cca, 1-1
 Bearing Kit [CI], 4-21

Bearing Kit, Cshft, 1.989-1.995mm (Brown), 5-5
 Bearing Kit, Cshft, 1.989-1.995mm (Green Blue), 5-5
 Bearing Kit, Cshft, 1.995-2.001mm (Brown Blue), 5-5
 Bearing Kit, Cshft, 1.995-2.001mm (Green), 5-5
 Bearing Kit, Cshft, 2.114-2.120mm, 5-5
 Bearing Kit, Cshft, 2.120-2.126mm, 5-5
 Bearing Kit, Rod, Connecting, Std, 5-5
 Bearing, Ball, 0.98b 2.05d 0.59w, 2-79, 2-81
 Bearing, Ball, 1.18b 2.44d 0.63w, 2-63
 Bearing, Cone, 1.38b 0.71w, 2-61
 Bearing, Cone, Pump, Hyd, 4-7
 Bearing, Cup, 2.56d 0.55w, 2-61
 Bearing, Cup, 4-7
 Bearing, Flng, 2-Hole, 0.50b, 2-15
 Bearing, Flng, 2hole, 0.50b [Nyl], 2-15
 Bearing, Pillowblock, 1.02b [Solid Pye], 2-65
 Bearing, Self Align, 0.75b 1.25d, 2-83
 Bearing, Self Align, 1.25b 2.00d, 2-69
 Bearing, Split, 1.00b, 2-65
 Bearing, Thrust, 0.53b 1.00d 0.03w, 3-9
 Bearing, Thrust, Pump, Hyd, 4-7
 Bearing, Thrust, 4-9
 Bellcrank, Lift, Sqge, 2-87
 Belt, Ribbed, 38.5l, 1-1, 2-49
 Belt, Timing, 5-11
 Blade, Sqge, .38 3.55w 038.3l, Linatex, 2-93, 2-97
 Blade, Sqge, .38 3.55w 038.3l, Ure (Option), 2-93, 2-97
 Blade, Sqge, .38 3.55w 038.3l, Ure, 1-1
 Blade, Sqge, 37.08l Linatex, 1-1
 Blade, Sqge, Front [Linard], 1-1
 Blade, Sqge, Front, 49.58l Linatex, 2-89
 Blade, Sqge, Front, 49.58l Ure (Option), 2-89
 Blade, Sqge, Front, 49.59l Pyu, 1-1
 Blade, Sqge, Rear, 53.78l Pyu, 1-1
 Blade, Sqge, Rear, 53.78l Ure (Option), 2-89
 Blade, Sqge, Rear, Linatex, 1-1, 2-89
 Block, Centering, 2-87
 Block, Guide, Hppr, 2-5
 Block, Short, Eng, W/ Piston & Ring, 5-5
 Bolt, Bracket, Sensor, Cshft Position, 5-7
 Bolt, Bracket, Screen, Oil Pump, M6x1x1, 5-7
 Bolt, Camshaft Cover, 5-3
 Bolt, Carriage, M06 X 1.0 X 30, 2-77
 Bolt, Carriage, M10 X 1.5 X 70, 2-91
 Bolt, Connecting Rod, 5-5
 Bolt, Cover, Camshaft, M6 X 1 X 22, 5-11
 Bolt, Cover, Oil Pump, M6 X 14, 5-7
 Bolt, Cover, Water Pump, 5-7
 Bolt, Eng Cover, M6 X 1 X 13, 5-11
 Bolt, Eye, .25-20 X 1.40 X .25 Eye, 2-67

Bolt, Eye, M08 X 1.25 X 070mm, 05.50 Eye, 2-95, 2-99
 Bolt, Eye, M10 X 1.5 X 117mm, 8.0 Eye, 2-87
 Bolt, Flywheel, 5-5
 Bolt, Head, Cyl, 5-3
 Bolt, Hsng, Thermostat, 5-3
 Bolt, M06 X 1.00 X 13mm, 5-8
 Bolt, M08 X 1.25 X 25mm, 5-5
 Bolt, M10 X 1.50 X 75mm, 5-5
 Bolt, M12 X 1.75 X 62mm, 5-5
 Bolt, Motor, Hyd, 4-5
 Bolt, Oil Pump Screen/Camshaft Cover, 5-7
 Bolt, Pan, Oil, 5-8
 Bolt, Pulley, Cshft, 5-5
 Bolt, Pump, Oil, 5-7
 Bolt, Retainer, Camshaft, M6 X 1 X 16, 5-11
 Bolt, Sensor, Position, Cshft, 5-7
 Bolt, Shield, Manifold, Exhaust, 5-9
 Bolt, Shld, .31d X 1.00, .25-20, 2-67
 Bolt, Shld, 1.37d X 5.13l, 1.1-18 Drilled, 2-61
 Bolt, Soc Head, M5 X 80 X 35, 2-31
 Bolt, Sprocket, Camshaft, M10x1.25x60, 5-11
 Bolt, Tensioner [GM], 5-11
 Bolt, Tensioner, Timing Belt, M8x1.25x48, 5-11
 Bolt, Tube [Pvc], M6 X 1 X 15, 5-3
 Boot, .63id .29l .90w, 2-11
 Boot, Bellows, 3.1l 4.4w 2.8h 1hole, Neo, 2-15
 Boot, Switch, Ignition, 2-11
 Bracket Wldt, Cooler, Hyd Fluid, 2-131
 Bracket Wldt, Flap, Recirculation, 2-85
 Bracket Wldt, Guard, Sqge, 3-51
 Bracket Wldt, Latch, 2-17
 Bracket Wldt, Mtg [Fast Gen 2+], 3-27
 Bracket Wldt, Mtg [Fast], 3-19
 Bracket Wldt, Mtg, Caster, 2-91
 Bracket Wldt, Mtg, Eng, Back, Gas/Lpg, 2-21
 Bracket Wldt, Mtg, Regulator, Lpg, 2-33
 Bracket Wldt, Mtg, Side Brush, 3-7
 Bracket Wldt, Mtg, Sqge, 2-91
 Bracket Wldt, Mtg, Tank, 2-7
 Bracket Wldt, Pivot, Hppr Door, Lh, 2-77
 Bracket Wldt, Propel, Pintle, 2-67
 Bracket Wldt, Steering, Tilt, 2-15
 Bracket Wldt, Tank, Soltn, Rh, 2-101
 Bracket Wldt, Tilt, Rh, 2-15
 Bracket, Alternator, 2-49
 Bracket, Anchor, Strap, Alternator, 2-49
 Bracket, Cover, 2-77
 Bracket, Ftg, Bh, 2-55
 Bracket, Guide, Shrd, 2-19
 Bracket, Keeper, Latch, 2-102
 Bracket, Latch, Cover, 2-19, 2-102, 3-49
 Bracket, Latch, Keeper [Southco], 2-19

CROSS REFERENCE

Bracket, Latch, Shrd, Seat, 2-13
Bracket, Lip, Hppr, 2-77
Bracket, Mtg [Ecu], 2-23, 2-27
Bracket, Mtg [Fast Gen 2+], 3-27
Bracket, Mtg [Fast], 3-19
Bracket, Mtg, Cable, 2-65
Bracket, Mtg, Cover (Replaced by 9003893), 2-109
Bracket, Mtg, Cover, Recvy Tank, 2-109
Bracket, Mtg, Cyl, 2-67, 2-95, 2-99
Bracket, Mtg, Detgt And Spray Wand, 3-5
Bracket, Mtg, Ecu [M20/T20 2007], 2-25
Bracket, Mtg, Ecu, 2-31
Bracket, Mtg, Fan, 2-113
Bracket, Mtg, Fltr, Air, 2-41, 2-43, 2-45, 2-47
Bracket, Mtg, Fuel, 2-35
Bracket, Mtg, Insulation, 2-7
Bracket, Mtg, Latch, Tank Cover, 2-101, 2-102
Bracket, Mtg, Latch, 2-55
Bracket, Mtg, Lift, Scb Head, 2-83
Bracket, Mtg, Mirror, Rearview, 3-41
Bracket, Mtg, Motor, 2-113, 2-115
Bracket, Mtg, Muffler [M20/T20 2007], 2-53
Bracket, Mtg, Prop Rod, 2-109
Bracket, Mtg, Radiator, 2-55
Bracket, Mtg, Scb Head, Lh, 2-83
Bracket, Mtg, Scb Head, Rh, 2-83
Bracket, Mtg, Skirt, Brush Door, 2-93, 2-97
Bracket, Mtg, Skirt, Door, Brush, 2-93, 2-97
Bracket, Mtg, Skirt, Door, 2-93, 2-97
Bracket, Mtg, Skirt, 2-85
Bracket, Mtg, Spray Handle, 3-47
Bracket, Mtg, Spray Wand [Fast, Conv], 3-47
Bracket, Mtg, Spring, 2-83
Bracket, Mtg, Sqge, 3-7
Bracket, Mtg, Strainer, 3-5
Bracket, Mtg, Switch, 2-75
Bracket, Mtg, Vacuum Wand, 3-43
Bracket, Mtg, Valve [Combined], 2-137
Bracket, Mtg, Valve, Hyd, Scb, 2-135
Bracket, Mtg, Valve, Hyd, Swp, 2-135
Bracket, Mtg, Valve, Lower, 2-137
Bracket, Mtg, Valve, 2-107, 3-3
Bracket, Mtg, 2-7
Bracket, Muffler, Hanger, Front, 2-51
Bracket, Pivot, Hppr Door, Rh, 2-77
Bracket, Propel, Gas/Lpg, 2-67
Bracket, Protector, Float Switch, 2-109
Bracket, Reg [1.6l], 2-27
Bracket, Retainer, Pump, 3-27
Bracket, Retainer, Safety, 2-67
Bracket, Retainer, Shield, Heat, 2-51
Bracket, Retainer, Spring, 2-3
Bracket, Retaining, Cover (Replaced by 9003893), 2-109
Bracket, Retaining, Hose, 2-105, 2-111, 3-49
Bracket, Retaining, Wire, Sparkplug, 5-12
Bracket, Screen, Oil Pump, 5-7
Bracket, Seat, Adj, 2-13

Bracket, Sensor, Position, Cshft, 5-7
Bracket, Shield, Heat, 2-19
Bracket, Soltn, Tank, Cntr, 2-101
Bracket, Sppt, Cover, Tank, Recvy, 2-109
Bracket, Sppt, Radiator, Upper, 2-56
Bracket, Sppt, Revl Light, 3-33, 3-35, 3-37
Bracket, Sppt, Tank, Lh, 2-109
Bracket, Sppt, Tank, Rh, 2-109
Bracket, Tank, Soltn, Lh, 2-101
Bracket, Tilt, Lh, 2-15
Bracket, Valve, Sba [M20 And T20], 3-13
Brake Assy, Drum, Mech, 07.0d 1.2w, 2-63
Brush Assy, Disk, Scg, 16.0 D, Polypropylene, 2-3
Brush Assy, Disk, Scg, 16.0 D, Soft Nylon, 2-3
Brush Assy, Disk, Scg, 16.0 D, Super Abrasive, 2-3
Brush Assy, Disk, Swp, 24.0d, Polypropylene, 2-3
Brush, Swp / Scb, 40l, Heavy Duty Polypropylene, 2-2
Brush, Swp / Scb, 40l, Polyester, 2-2
Brush, Swp / Scb, 40l, Polypropylene, 2-2
Brush, Swp / Scb, 40l, Super Abrasive, 2-2
Brush, Swp / Scb, 40l, Wndw, Polypropylene, 2-2
Bumper Wldt, Brush, Side, 3-7
Bumper, Rbr, 0.5d 0.16t M5 X 08, 2-67
Bumper, Rbr, 0.6d 0.34t .3d Tip, 2-131
Bumper, Sqge, 2-89
Bumper, Ure, 1.50d 1.25l, 3-51
Bushing, Eccentric, Adj, 2-105, 2-111
Bushing, Flng, 0.32b 0.50d 0.24l, Bnz, 2-91
Bushing, Flng, 0.50b 0.59d 0.38l, 2-105, 2-111
Bushing, Flng, 0.63b 0.75d 0.38l, 2-91, 2-93, 2-97
Bushing, Flng, 1.00b 1.13d 0.50l, 2-87
Bushing, M06-1.50 X .25-27npt, 2-23, 2-27
Bushing, Pivot, Door, 2-77
Bushing, Sleeve, 0.37b 0.50d 0.50l, Oib, 2-65
Bushing, Sleeve, 0.50b 0.59d 0.50l, Bnz, 3-9
Bushing, Sleeve, 0.62b 0.72d 0.50l, Fgl, 2-91
Bushing, Sleeve, 0.63b 0.72d 0.38l, 2-95, 2-99
Bushing, Sleeve, 0.75b 0.88d 0.25l, 2-105, 2-111
Bushing, Sleeve, 0.75b 0.88d 0.75l, Tef, 2-77
Bushing, Sleeve, 0.78b 0.86d 0.93l, Bnz, 2-63
Bushing, Sleeve, 0.88b 1.00d 0.75l, Bnz, 2-69
Bushing, Sleeve, 1.00b 1.13d 1.50l, Fgl, 3-9
Button, Cntrl, Horn, 2-15
Bypass Valve Kit, Pump, Repair,, 4-23

C

Cable, Battery, 02ga 48.0l Red .41ring, 2-59
Cable, Battery, 02ga 60.0l Blk .41ring, 2-59
Cable, Glv .06d 012.0l .26eye / .26eye, 3-51
Cable, Glv .09d 016.5l .38eye / .38eye, 2-17
Cable, Glv .13d 015.8l .50eye / .50eye, 2-95, 2-99
Cable, Push / Pull, 063.0l 4.0, .31-24, 2-65
Cable, Push / Pull, 098.0l .25-28 / .25-28, 2-67
Cam, Centering, Pintle, 2-67
Cam, Plt, Brake [Nickel], 2-63
Cam, Rear, 2-89
Cam, 2-89
Camshaft, 5-11
Cap Assy, Tank, Drain, 2-109, 4-3
Cap Screw Cl, 4-9
Cap Screw, 4-8
Cap, Arm, Lift, 2-75
Cap, Breather, Hyd, 2.4 Ds, 1-1, 2-133
Cap, End, Valve, Steering, 4-21
Cap, Filler, Oil, W/ Org, 5-3
Cap, Fuel, Tank, 2-37
Cap, Hub, Dust 2.57d 0.77l, 2-63
Cap, Radiator, 14psi [Stant Ao-2516], 2-55
Cap, Spring, Valve, 5-3
Cap, Tank, Fuel, 2.3neck 2.6d, 2-35
Cap, Tank, 3-5
Cartridge, Psi Cntrl, Valve, Hyd, 4-13, 4-15, 4-17, 4-19
Caster, Pivot, 2-91
Catch, Latch, Tank Cover, 2-101, 2-102
Chain, Str, 4/0, 08 Link, 2-87
Channel Wldt, Pivot, 3-9
Channel, Shield, Muffler [M20/T20 2007], 2-53
Channel, Shield, Muffler, 2-51
Channel, Upper, Tower, Lift, 2-5
Check Valve Kit, Pump, Repair,, 4-23
Clamp Wldt, Front, 2-89
Clamp Wldt, Rear, 2-89
Clamp, Cable, Ss, 1.12d X 0.38w, 1h, 2-107
Clamp, Cable, Ss, 2.50d X 1.00w, 1h, 2-7
Clamp, Cable, Stil, 0.25D X 0.56W, 1Hole, 3-35, 3-37
Clamp, Cable, Stil, 0.44d X 0.62w, 1h, 2-131
Clamp, Cable, Stil, 0.69d X 0.62w, 1h, 2-55, 2-67
Clamp, Cable, Stil, 0.69d X 0.62w, 1hole, 2-33
Clamp, Cable, Stil, 1.50d X 1.00w, 1h, 2-7, 2-55, 2-59, 2-131, 3-19
Clamp, Cable, Stil, 1.50d X 1.00w, 1hole, 2-5
Clamp, Cable, Stil, 2.00d X 0.75w, 1 Hole, 2-35

Clamp, Cable, Stl, 2.00d X 0.75w, 1hole, 2-37
 Clamp, Hose, 1.0, 2-33
 Clamp, Hose, 1.75 [Pcv], 5-3
 Clamp, Hose, Plstc .351-.394 Id, 3-19
 Clamp, Hose, Spring Stl, 0.86d X 0.38w, 2-41, 2-43, 2-45, 2-47
 Clamp, Hose, Spring, 0.62d, 2-33
 Clamp, Hose, Spring, 0.75d, 2-33
 Clamp, Hose, Wormdrive, 0.25-0.62d, .31w, 2-23, 2-25, 2-28, 2-33, 2-55, 2-56, 3-3, 3-5, 3-27
 Clamp, Hose, Wormdrive, 0.31-0.88d, .31w, 2-25, 2-33, 2-35, 2-37, 2-59, 3-11, 3-17, 3-21, 3-23, 3-27, 3-29, 3-31
 Clamp, Hose, Wormdrive, 0.56-1.06d, .56w, 2-23, 2-25, 2-28, 2-33, 2-107, 3-3, 3-5, 3-11, 3-21, 3-23, 3-29, 3-31, 3-47
 Clamp, Hose, Wormdrive, 1.06-2.00d, .56w, 2-51, 2-53, 2-55
 Clamp, Hose, Wormdrive, 1.56-2.50d, .50w, 2-55
 Clamp, Hose, Wormdrive, 1.81-2.75d, .50w, 2-41, 2-43, 2-45, 2-47
 Clamp, Hose, Wormdrive, 2.50-3.50d, .50w, 2-89, 2-105, 2-111
 Clamp, Hose, Wormdrive, 3.56-4.50D, .50W, 2-113
 Clamp, Hose, Wormdrive, 3.56-4.50d, .50w, 2-105, 2-111, 2-115
 Clamp, Hose, Wormdrive, 3.75-4.62d, .62w, 2-113
 Clamp, Hyd, 0.50d, 2-79, 2-81
 Clamp, Mtg, Fltr, Air, 2-41, 2-43, 2-45, 2-47
 Clamp, Muffler, 1.62d, 2-51, 2-53
 Clamp, Spring, 1.50, 2-43, 2-47
 Clevis, Adj, 0.25 Pin, 0.25-28 Rh, Pl, 2-65
 Clevis, Adj, 0.25pin, 0.25-28left Pl, 2-65
 Clevis, Adj, 0.31pin, 0.31-24, 2-65
 Clip, .250h, Plstc [Pine-Tree], 2-19
 Clip, Grip, Finger, .875-1.25, 3-47
 Clip, Grip, Finger, 1.00-1.88d White, Vyl, 3-43, 3-45
 Clip, Keeper, Open, 2-55
 Coil, Ignition, 5-12
 Column, Pump, Water, 4-3
 Column, Steering, 09.9l 0.86d 36tooth, 2-15
 Complete Pump Kit, Pump, Repair,, 4-23
 Connector, Fem, 02cav, Mp280 Sealed, 4-23
 Connector, Fuel, E90, Qf, 2-35
 Connector, Fuel, Qf, 2-35, 2-37
 Converter, Lpg, 2-27
 Cooler, Hyd, 25gpm 325btu Of12 13x12x2, 2-131
 Coupler, Pump, 4-7
 Coupling, Drive, 13t, 2-21
 Coupling, Nozzle, Spray, 3-47
 Cover Kit, Soltn Tank, Rh [M20 & T20], 2-101

Cover Kit, Switch, Float, Repair, 2-109
 Cover Kit, Tank, Soltn, Lh, Replmt, Ce (Japan and CE Only), 2-102
 Cover Kit, Tank, Soltn, Lh, Replmt, 2-102
 Cover Kit, Tank, Soltn, Rh, Replmt, Ce (Japan and CE Only), 2-101
 Cover Wldt [Fast], 3-19
 Cover, Belt, Timing, Front, 5-11
 Cover, Belt, Timing, Upper Front, 5-11
 Cover, End, 4-7
 Cover, Fuse, Block, 2-59
 Cover, Hose, 2-33
 Cover, Hppr, 2-73
 Cover, Hsng, Camshaft, 5-3, 5-11
 Cover, Hsng, Flywheel, 2-21
 Cover, Lower, 2-13, 2-19
 Cover, Pump, Oil, 5-7
 Cover, Tank, Recvy, Trimmed, 2-109
 Cover, Tank, Soltn, Lh, Trimmed, Ce (Japan and CE Only), 2-102
 Cover, Tank, Soltn, Lh, Trimmed, 2-102
 Cover, Tank, Soltn, Rh, Trimmed, Ce (Japan and CE Only), 2-101
 Cover, Tank, Soltn, Rh, Trimmed, 2-101
 Cover, Tank, 2-109
 Crank Kit, Pump, F/79323, Replmt, 4-22
 Crankshaft, 5-5
 Crossmember Wldt [M20], 2-91
 Cup Holder, Rwk, 2-11
 Cylinder, Hyd, 1.5b 07.8l 02.75strk 2500, 3-9
 Cylinder, Hyd, 1.5b 07.8l 02.80strk 2500, 2-83, 2-87, 2-95, 2-99, 3-9
 Cylinder, Hyd, 2.0B 24.1L 15.00Strk 3000, 2-69
 Cylinder, Hyd, 2.0b, 15.2l, 09.00strk, 3000, 2-61

D

Detergent Pkg, 4 Liter, Sgl [Tco 665], 3-19
 Diaphragm Kit, Pump, Repair,, 4-23
 Diode, Ele, Plug, 2-59
 Dipstick, Oil, 5-8
 Door Cyl, Hppr [Mako], 2-77
 Door Wldt, Brush, Idler, 2-79, 2-81
 Door Wldt, Brush, Lh, 2-99
 Door Wldt, Brush, Rh, 2-95
 Door Wldt, Brush, 2-79, 2-81
 Door Wldt, Hppr, 2-77
 Drive [Cl], 4-9
 Drive, Motor, Hyd, 4-5
 Drive, 4-8

E

Element, Fltr, Air [Dn], 1-1, 2-41, 2-43, 2-45, 2-47
 Element, Fltr, Air, Safety (Option), 2-41, 2-43, 2-45, 2-47
 Element, Fltr, Oil, Eng, Spin-On, 1-1, 2-21, 5-8

End Cap, Motor, Hyd [En], 4-9
 End Cap, 4-8
 Engine [Long Block Gm 1.6l] (See Breakdown), 2-21
 Extinguisher Kit, Fire, Ci [M20 And T20], 3-52
 Extinguisher, Fire, 2.5 Lb Dry, 3-52

F

Fan Kit, Scrub, Replmt [M20/T20], 2-113
 Fan Wldt, Vac, Inlet, 2-115
 Fan, Cooling, 15.5d, 6 Blade, .5b Taper, 2-49
 Fan, Cooling, Pusher, 15.5D [2007], 2-49
 Fast 665 4 Ltr, Detergent, 3-27
 Fast Kit, Ci, Injector Filters[Fast li+], 4-24
 FaST Kit, Ci, Injector Rebuild[FaST II+], 4-24
 Fast Kit, Ci, Injector Seals [Fast li+], 4-24
 FaST Kit, Injector, CI[M20/M30 FaST II+], 4-24
 Fast Kit, Injector, Ci[M20/M30 FaST II+], 3-27
 Fastener, 12.7Mm X 9.5Mm, Ss [Staple], 2-17
 Filter Assy [Pt4 936498], 1-1, 2-133
 Filter Assy, Air, Mold, Ure, 3-19
 Filter Assy, Air, 2-41, 2-43, 2-45, 2-47
 Filter Kit, Fuelock, Lpg, 1-1, 2-27, 2-33
 Filter Wldt, Hppr (Replaced By 9003774), 2-71
 Filter, Foam, Rbr, 1.20d, 1.0l, 3-21, 3-23
 Filter, Fuel [Gm 1.6l/3.0l], 1-1, 2-35, 2-37
 Filter, In-Line, Pf06/Pf06 080mesh 02.6l, 3-27
 Filter, In-Line, Pf06/Pf06, 80 Mesh, 3-17
 Filter, Panl, Dust, 4.2 X 20.0 X 30.0, 1-1, 2-73
 Filter, Soltn, 020mesh, Pm12 3.2d 08.0l, 3-5
 Filter, Soltn, 20mesh, Pm12 3.1d 02.6l, 1-1, 2-102
 Fitting Assy, Orifice, 0.070b, Pf04/Pf04, 3-17
 Fitting Assy, Orifice, 0.093b, Pf04/Pf04, 3-17
 Fitting Kit [Epr], 2-33
 Fitting Kit, Hose, Garden, 3-3
 Fitting, Adapter, Orifice, Pf06/Pm06, 2-23, 2-25
 Fitting, Brs, Breather [02mp], 2-75
 Fitting, Brs, E45, Pf02/Pm02, 2-21
 Fitting, Brs, E90, Bm08/Pm04, 3-17
 Fitting, Brs, E90, Cf03/Pf02, 3-19
 Fitting, Brs, E90, Em05/Pm04, 2-35, 2-37
 Fitting, Brs, E90, Em10/Pm06, 2-23, 2-25, 2-28, 2-33
 Fitting, Brs, E90, Pf04/Pm04, 2-33, 2-35, 2-39
 Fitting, Brs, E90, Pm02/Bm03, 2-75, 3-5
 Fitting, Brs, Qdc, Bm12/Qf08, 3-3
 Fitting, Brs, Qdc, Pf04, Lpg Fem, 2-39

CROSS REFERENCE

- Fitting, Brs, Qdc, Pf08 [Parker Bh3f], 3-3
Fitting, Brs, Str, Bm03/Pm02, 2-75
Fitting, Brs, Str, Bm04/Pm02, 3-19
Fitting, Brs, Str, Bm05/Pm04, 2-35
Fitting, Brs, Str, Bm06/Pm05, 2-25, 2-33
Fitting, Brs, Str, Bm08/Pm04, 3-17
Fitting, Brs, Str, Pf02/Pm04, 3-17
Fitting, Brs, Str, Pf04/Pf04, Bh, 2-39
Fitting, Brs, Str, Pf04/Pm02, 2-23, 2-25, 2-28, 2-33
Fitting, Brs, Str, Pf06/Pf06 Bh, 3-47
Fitting, Brs, Str, Pf06/Pm12, 3-47
Fitting, Brs, Str, Pm04/Pm04, 2-35, 3-17
Fitting, Brs, Str, Pm08/Garden Hose, 3-47
Fitting, Brs, Tee, Pf04/Pf04/Pf04, 3-17
Fitting, Brs, Tee, Pm04/Pf04/Pf04, Run, 3-27
Fitting, Cap, 2-27
Fitting, Draincock, E90, .25npt, 2-23, 2-25, 2-28, 2-33, 2-55
Fitting, E, Gr, 4-3
Fitting, E70, 2-27
Fitting, E90, M14 X .56, 2-21
Fitting, E90, 2-27, 2-31
Fitting, End, Hose, 2-21
Fitting, Fltr, Oil, 5-8
Fitting, Fuel, Str, 0.38-24 [07 Eng], 2-37
Fitting, Fuel, Str, 0.56-18 [07 Eng], 2-37
Fitting, Grease, Str Pm04 .47l, 2-69, 2-77, 2-83, 2-91
Fitting, Grease, Str Pm04 .63l, 2-61
Fitting, Hose, Vacuum, .25, 2-27
Fitting, Hyd, Cap, Jf04, 2-131
Fitting, Hyd, Cap, Jf08, 2-131, 3-13
Fitting, Hyd, E45, Jf10/Jm10, 2-121
Fitting, Hyd, E45, Jm04/Om04, 3-13
Fitting, Hyd, E45, Jm04/Om06, 2-61, 2-69
Fitting, Hyd, E45, Jm06/Om04, 2-113
Fitting, Hyd, E45, Jm06/Om06, 2-61, 2-135
Fitting, Hyd, E45, Jm08/Om08, 2-113, 2-135, 2-137, 3-13
Fitting, Hyd, E45, Jm08/Om10, 2-129
Fitting, Hyd, E45, Jm10/Om12, 2-61
Fitting, Hyd, E45, Jm12/Om16, 2-133
Fitting, Hyd, E45, Jm20/Om20, 2-133
Fitting, Hyd, E90, Jf04/Jm04, 2-135, 3-13
Fitting, Hyd, E90, Jf06/Jm06, 3-13
Fitting, Hyd, E90, Jf08/Jm08, 2-15
Fitting, Hyd, E90, Jm04/Om04, 2-77, 2-87, 2-95, 2-99, 2-135, 2-137, 3-9
Fitting, Hyd, E90, Jm04/Om06, 2-69
Fitting, Hyd, E90, Jm04/Pm02, 2-133
Fitting, Hyd, E90, Jm06/Om04, 2-83, 3-9
Fitting, Hyd, E90, Jm06/Om06, L, 2-135
Fitting, Hyd, E90, Jm06/Om06, Long, 2-137
Fitting, Hyd, E90, Jm06/Om06, 2-15, 2-135, 2-137, 3-13
Fitting, Hyd, E90, Jm06/Om08, 2-129
Fitting, Hyd, E90, Jm08/Om08, L, 2-135
Fitting, Hyd, E90, Jm08/Om08, Long, 2-137
Fitting, Hyd, E90, Jm08/Om08, 2-79, 2-81, 2-115, 2-129, 2-135, 3-13
Fitting, Hyd, E90, Jm08/Om10, 2-129, 3-7
Fitting, Hyd, E90, Jm10/Om12, 2-129
Fitting, Hyd, E90, Jm12/Om12, L, 2-131
Fitting, Hyd, E90, Jm12/Om12, 2-131
Fitting, Hyd, E90, Om04/Qm04, 2-135, 2-137, 3-13
Fitting, Hyd, E90, Spcl, 2-33
Fitting, Hyd, Plug, Om04, 2-137, 4-11, 4-17, 4-19
Fitting, Hyd, Plug, Om06, 2-133, 2-137
Fitting, Hyd, Plug, Om08, 4-7, 4-17
Fitting, Hyd, Plug, Om10, 2-133
Fitting, Hyd, Rst, Jf04/Jm04, .028, 2-69
Fitting, Hyd, Rst, Spcl, 2-95, 2-99
Fitting, Hyd, Str, Jf04/Qm04, 2-135, 3-13
Fitting, Hyd, Str, Jm04/Om04, 2-79, 2-135, 2-137, 3-13
Fitting, Hyd, Str, Jm04/Om06, 3-13
Fitting, Hyd, Str, Jm06/Om04, 2-115
Fitting, Hyd, Str, Jm06/Om06, L, 2-15
Fitting, Hyd, Str, Jm06/Om06, Long, 2-137, 3-15
Fitting, Hyd, Str, Jm06/Om06, 2-15, 2-133, 3-13, 3-15
Fitting, Hyd, Str, Jm08/Om06, 2-15
Fitting, Hyd, Str, Jm08/Om08, 2-115, 2-129, 2-133, 3-13
Fitting, Hyd, Str, Jm08/Om10, 3-7
Fitting, Hyd, Str, Jm10/Om10, Long, 2-137
Fitting, Hyd, Str, Jm10/Om10, 2-135
Fitting, Hyd, Str, Jm10/Om12, 2-61
Fitting, Hyd, Str, Jm20/Om16, 2-129
Fitting, Hyd, Str, Om04/Qm04, 2-135, 3-13
Fitting, Hyd, Str, Pf02/Pm04, 2-39
Fitting, Hyd, Tee, Jf06/Jm06/Jm06, Run, 2-115
Fitting, Hyd, Tee, Jm06/Jm06/Om06, Run, 2-135, 3-15
Fitting, Hyd, Tee, Jm08/Jm08/Om08, Br, 2-113, 2-135, 2-137
Fitting, Hyd, Tee, Pf04/Pf04/Pm04, Run, 2-39
Fitting, Nipple, .25mal, 2-33
Fitting, Nipple, .25npt, Brs, 2-27
Fitting, Nyl, Qdc, E90, Bm08/ Qm10, 3-27
Fitting, NylY, Qdc, E90, Bm06/ Qm10, 3-27
Fitting, Pipe, Bshg, M18 X 1.5, 2-21
Fitting, Pipe, E45, Spcl, 2-39
Fitting, Pipe, E90, Pf02/Pm02, 3-19
Fitting, Pipe, Plug, Metric, M18,Soc, 2-21, 2-51, 2-53
Fitting, Pipe, Plug, Pm02, Sq Head, 2-37
Fitting, Pipe, Plug, Pm08, Sq Head, 2-107
Fitting, Pipe, Plug, 2-21
Fitting, Plstc, Body, Spray, Pf04, 3-17
Fitting, Plstc, Cap, Pf12 Hex, 2-107
Fitting, Plstc, Cap, Spray, Pf04, 3-17
Fitting, Plstc, E90, Bm06/Bm06, 3-5
Fitting, Plstc, E90, Bm06/Pm04, Nyl, 3-27
Fitting, Plstc, E90, Bm06/Pm12, Nyl, 3-3
Fitting, Plstc, E90, Bm08/Pf08s, Swivel, 3-17, 3-47
Fitting, Plstc, E90, Bm08/Pm06, 3-47
Fitting, Plstc, E90, Bm08/Pm12, Nyl, 3-17, 3-21, 3-23, 3-27
Fitting, Plstc, E90, Bm10/Pm08, 3-3
Fitting, Plstc, E90, Bm10/Pm12, 3-3
Fitting, Plstc, E90, Bm12/Pf12, 3-5
Fitting, Plstc, E90, Bm12/Pm08, 3-3
Fitting, Plstc, E90, Bm12/Pm12, 3-3, 3-5, 3-17, 3-27
Fitting, Plstc, E90, Pf Bm [Es Pump], 4-3
Fitting, Plstc, E90, Pf12/Pm12, 2-102
Fitting, Plstc, Pf12/Pf12, Bh, 2-102, 3-3
Fitting, Plstc, Pipe, Cap, Pf04, 3-19, 3-27
Fitting, Plstc, Rst, .50od /.13id, 3-23
Fitting, Plstc, Str, Bm04, Cplg, Fem, 3-19, 3-27
Fitting, Plstc, Str, Bm06/Pm04, 3-27
Fitting, Plstc, Str, Bm06/Pm06, 3-27
Fitting, Plstc, Str, Bm08/Pf08s, Swivel, 3-47
Fitting, Plstc, Str, Bm08/Pm06, 3-17
Fitting, Plstc, Str, Bm08/Pm12, 3-21, 3-23
Fitting, Plstc, Str, Bm10/Bm10, 2-41, 2-45
Fitting, Plstc, Str, Bm12/Bm12, 2-107
Fitting, Plstc, Str, Bm12/Pm08, Nyl, 3-3, 4-3
Fitting, Plstc, Str, Bm12/Pm12, 2-107
Fitting, Plstc, Str, Pm04, Cplg, Mal, 3-19, 3-27
Fitting, Plstc, Str, Pm08/Pm08, 3-3
Fitting, Plstc, Str, Pm12/Pm12 1.60l, 3-3, 3-17, 3-27
Fitting, Plstc, Tee, Bm04/Bm04/Bm04, 3-27
Fitting, Plstc, Tee, Bm04/Bm08/Bm08, Br, 3-17
Fitting, Plstc, Tee, Bm08/Bm08/Bm08, 3-17
Fitting, Plstc, Tee, Bm08/Bm12/Bm12, Br, 3-21, 3-23, 3-29, 3-47
Fitting, Plstc, Tee, Bm12/Bm12/Bm12, 2-107, 3-11
Fitting, Plstc, Tee, Pf08/Pf08/Pf08, 3-3
Fitting, Plstc, Tee, Pf12/Pf12/Pf12, 3-3, 3-17, 3-27
Fitting, Plstc, Y, Bm08/Bm08/Bm08, Nyl, 3-23, 3-27, 3-31
Fitting, Plug, M16, Intake Manifold, 2-25, 2-31
Fitting, Plug, Org, #6, Valve [Cec], 4-11, 4-13, 4-15, 4-17, 4-19
Fitting, Str, .19brb X .12mpt, 2-23
Fitting, Str, E90, .25npt, 2-27
Fitting, Str, 2-27
Fitting, Vacuum [M16-15-6h], 2-23, 2-25, 2-31
Flange Mounting, 4-8
Flange, Motor, Hyd [En], 4-9
Flap, Battery, 2-11
Flapper, Valve, Pump, Water, 4-3
Flywheel, 5-5

Frame Wldt, Lift, Hppr, 2-69
 Frame Wldt, Main, Replmt [m20 & T20],
 2-5
 Frame Wldt, Sqge, Lh, 2-97
 Frame Wldt, Sqge, Rh, 2-93
 Frame Wldt, Sqge, Side Brush, 3-7
 Fuelline, .31d Str/Str, Plstc, 2-35, 2-37
 Fuelline, .31d Str/Str,Plstc[M20/T20 07],
 2-37
 Fuse, 015a, 2-59
 Fuse, 10 Amp, 2-179
 Fuse, 15 Amp, [Min-15], 2-179
 Fuse, 20 Amp, [Min-20], 2-179
 Fuse, 5 Amp, [Min-5], 2-179
 Fuse, 50amp, 2-179
 Fuse, 60 Amp, 2-179

G

Gasket Kit, Repair, Gas [Gm1.6l 2007],
 2-25
 Gasket Kit, Repair, Lpg [Gm1.6l 2007],
 2-31
 Gasket, .25 1.88d 1.0id [Poron], 4-3
 Gasket, 3.23id 3.63od .16th, Ure, 2-109
 Gasket, 4.05id 5.29od .19 [Buna], 2-109,
 4-3
 Gasket, Body, Throttle [1.6l], 2-25
 Gasket, Cover, Fuse Block, 2-59
 Gasket, Cover, Hsng, Camshaft, 5-3
 Gasket, Cover, Recvy Tank, 2-109
 Gasket, Exhaust, 2hole, 3.4bc, 2-51, 2-53
 Gasket, Flng, Pipe, Exhaust, 2-51, 2-53
 Gasket, Head, Cyl, 5-3
 Gasket, Hppr, Transition, 2-115
 Gasket, Manifold, Exhaust, 5-9
 Gasket, Manifold, Intake, 2-23, 2-25, 2-27,
 5-9
 Gasket, Pan, Oil, 5-8
 Gasket, Plt, Hose, Vacuum, 2-113
 Gasket, Plug, Relief Valve,Oil Press, 2-21,
 5-7
 Gasket, Pump, Oil, 5-7
 Gasket, Sender, Fuel, 2-37
 Gasket, Sqge, 1-1, 2-89
 Gasket, Tube [Pcv], 5-3
 Gasket, 2-27
 Gasspring, 180lb, 03.0strk, 2-13
 Gauge, Sensing, Level, 2-133
 Gear, Drive, Oil Pump, 5-7
 Gear, Ring, Drive, Oil Pump, 5-7
 Geroler, Motor, Hyd, 4-5
 Gerotor Set [Cl], 4-9
 Gerotor Set, 4-8
 Grill Wldt, Front, 2-17
 Grill, Eng, 2-19
 Grill, Side, 2-13
 Grip, Handle, 2-105, 2-111
 Grommet, Pye, 0.37id, F/1.5h, .13 Matl,
 3-5
 Grommet, Rbr, 0.20id, F/0.4h, .12 Matl,
 2-23, 2-27

Grommet, Rbr, 0.50id, F/0.8h, .12 Matl,
 3-38, 3-39, 3-41
 Grommet, Rbr, 0.62id, F/0.9h, .06 Matl,
 2-75
 Grommet, Rbr, 0.62id, F/0.9h, .12 Matl,
 3-5
 Grommet, Rbr, 1.06id, F/1.4h, .19 Matl,
 2-75
 Grommet, Rbr, 1.50id, F/1.8h, .19 Matl,
 2-75
 Grommet, Rbr, 2.13id, F/2.5h, .12 Matl,
 3-17, 3-27
 Guard Kit, Sqge, Ci [M20], 3-51
 Guard Wldt, Sqge, 3-51
 Guard Wldt, Brush, Side, 3-11
 Guard Wldt, Sqge [M20/T20 Lh, M30 Rh],
 3-51
 Guard Wldt, Sqge [M20/T20 Rh, M30 Lh],
 3-51
 Guard Wldt, Sqge [M20/T20/M30], 3-51
 Guard Wldt, Sqge, Rear, Pntd, 3-51
 Guard Wldt, Top, Ohg, 3-41

H

Handle Wldt, Drain, 2-109
 Handle, Valve, Pinch, Lh, 2-111
 Handle, Valve, Pinch, Rh, 2-105
 Harness [Fast, M20 And T20], 3-25
 Harness, Adapter, Eng [2007], 2-179
 Harness, Eng [1.6l, Gm, E-cntrl], 2-179
 Harness, Headlight [M20 And T20], 2-179
 Harness, Hppr [M20], 2-179
 Harness, Hppr [M20/M30], 2-179
 Harness, Hppr, Cover [M20], 2-179
 Harness, Injector, Gas [1.6l,Gm,E-cntrl],
 2-179
 Harness, Injector, Lpg [1.6l,Gm,E-cntrl],
 2-179
 Harness, Main [M20], 2-179
 Harness, Manifold, Gas, 2-37
 Harness, Spray, Nozzle, 3-47
 Harness, Warning / Backup [M20 & T20],
 3-33, 3-35, 3-37
 Harness, Warning / Ohg [M20], 3-38, 3-39
 Harness, Wire [Fast Gen 2], 3-32
 Harness, Wire, Eng, Gas [Gm 1.6L], 2-179
 Harness, Wire, Eng, Lpg [Gm 1.6l], 2-179
 Head, Cyl, 5-3
 Headlight, 12vdc, 27watt, 2.1a, Oval, 2-5
 Hinge Wldt, Shrd, Lh, 2-19
 Hinge Wldt, Shrd, Rh, 2-13
 Hinge, .38pin .11 3.5w 06.0l 6/0.38sl, 2-17
 Hinge, .50pin .19 4.0w 06.0l 3/0.44sl, 2-95,
 2-99
 Hopper, Debris, Rm-Hg, Trimmed, 2-71
 Horn, 12vdc, Dbw [Wolo], 2-59
 Hose [Epr To Manifold], 2-33
 Hose [Mixer To Epr], 2-33
 Hose [Pcv], 5-3
 Hose Assy, Sqge, 2-109
 Hose Assy, W/1cuff, 1.0d 09l 1.0/, 2-71

Hose Assy, W/2cuff, 1.5d 084l [Vacwand],
 3-45
 Hose Assy, W/2cuff, 1.5d 84l [Vacwand],
 3-43
 Hose, 170mm [Ftv-Ptv], 2-27
 Hose, 355mm [Fl-Vrp], 2-27
 Hose, 9.5mm X 290mm [Pcv], 2-27
 Hose, 9.5mm X 450mm [Pcv], 2-23
 Hose, Afmkt, Coolant Recvy, 05ft, 2-55
 Hose, Afmkt, Pvc, Brd 0.38id 02ft, 3-5
 Hose, Afmkt, Pvc, Brd 0.50id 02ft, 3-21
 Hose, Afmkt, Pvc, Brd 0.50id 03ft, 3-17
 Hose, Afmkt, Pvc, Brd 0.50id 08ft, 3-17,
 3-23
 Hose, Afmkt, Pvc, Brd 0.62id 01ft, 3-5
 Hose, Afmkt, Pvc, Brd 0.75id 02ft, 3-5
 Hose, Afmkt, Pvc, Brd 0.75id 08ft, 2-107,
 3-3, 3-11
 Hose, Afmkt, Pvc, Brd, 0.38id, 03ft, Clr,
 3-27
 Hose, Afmkt, Pvc, Brd, 0.50ld, 01Ft, Clr,
 3-27
 Hose, Afmkt, Pvc, Brd, 0.50id, 08ft, Clr,
 3-29, 3-31
 Hose, Afmkt, Pvc, Brd, 0.75id, 08ft, Clr,
 3-29, 3-47
 Hose, Afmkt, Pvc, Clr 0.25id 03ft, 3-19
 Hose, Afmkt, Pvc, Clr 0.50id 08ft, 3-23
 Hose, Afmkt, Pvc, Clr, 0.25id, 02ft, 3-27
 Hose, Afmkt, Pvc, Clr, 0.38id, 01ft, 3-27
 Hose, Afmkt, Pvc, Clr, 0.38id, 03ft, 3-27
 Hose, Afmkt, Pvc, Clr, 0.50id, 08ft, 3-31
 Hose, Afmkt, Pvc, Wir, 0.50id, 03ft, Clr,
 3-27
 Hose, Afmkt, Vacuum, 0.16id 01ft, 3-5
 Hose, Afmkt, Vacuum, 0.16id, 03ft, 2-75
 Hose, Air-Intk, Flex 4.00id 18.0l, 2-113
 Hose, Balancing, Press, 045mm, 2-27
 Hose, Balancing, Press, 680mm, 2-27
 Hose, Drain, 3.00id X 48.0l, 2-105, 2-111
 Hose, Flex, Vacuum, 3.5d 32.0l, 2-115
 Hose, Fuel, 0.31id [Evap Emission 07],
 2-37
 Hose, Fuel, .19, 2-23
 Hose, Fuel, 0.31id 12.0l, 2-35
 Hose, Fuel, 0.31id 24.0l, 2-35
 Hose, Fuel, 0.50id 21.0l, 2-35
 Hose, Fuel, 0.50id, 21.0l, 2-37
 Hose, Heater, 0.38ID, 2-25
 Hose, Heater, 0.38id, 2-33
 Hose, Heater, E90, 0.62id 07.0 2.0, 2-41,
 2-45
 Hose, Heater, E90, 0.62id, 24.0 4.0, 3-31
 Hose, Heater, 2-23, 2-25
 Hose, Hyd, 26.0l, 2-21
 Hose, Hyd, Med04, Jf04e90/Jf04str, 016.0,
 2-125
 Hose, Hyd, Med06, Jf06e90/Jf06str, 042.0,
 2-123
 Hose, Hyd, Med06, Jf06e90l/Jf06str,038.0,
 3-15
 Hose, Hyd, Med06, Jf06str/Jf06str, 018.0,
 2-123

CROSS REFERENCE

- Hose, Hyd, Med06, Jf06str/Jf06str, 022.0, 2-123
Hose, Hyd, Med06, Jf06Str/Jf06Str, 042.0, 2-123
Hose, Hyd, Med08, Jf08e90/Jf08str, 031.0, 2-123
Hose, Hyd, Med08, Jf08str /Jf08e45, 21.0, 2-123
Hose, Hyd, Med08, Jf08str/Jf08str, 022.0, 2-125
Hose, Hyd, Med10, Jf10str/Jf10str, 41.0, 2-123
Hose, Hyd, Med10, Jf10Str/Jf10Str, 036.0, 2-123
Hose, Hyd, Med12, Jf12e90/Jf12str, 50.0, 2-123
Hose, Hyd, Spcl, Jf04str/Jf04str, 115.0, 2-125
Hose, Hyd, Spcl, Jf04str/Jf04str, 121.0, 2-125, 2-127
Hose, Hyd, Spcl, Jf04str/Jf04str, 127.0, 2-125
Hose, Hyd, Spcl, Jf04str/Jf04str, 133.0, 2-125
Hose, Hyd, Spcl, Jf04str/Jf06str, 125.0, 2-127
Hose, Hyd, Spcl, Jf10e45/Jf10str, 58.0 (Replaced by 1039148), 2-121
Hose, Hyd, Spcl, Jf10e90/Jf10str, 63.0, 2-121
Hose, Hyd, Spcl, Jf10str/Jf10str, 56.5, 2-121
Hose, Hyd, Suc20, Jf20str /Jf20e90, 29.0, 2-123
Hose, Hyd, Tc 06, Jf06str /Jf06e45, 56.0, 2-125
Hose, Hyd, Tc04, Jf04e45/Qm06, 026.0, 2-127
Hose, Hyd, Tc04, Jf04e45/Qm06, 028.0, 2-127
Hose, Hyd, Tc04, Jf04str /Jf04e90, 70.0, 2-125
Hose, Hyd, Tc04, Jf04str /Jf04e90, 88.0, 2-125
Hose, Hyd, Tc04, Jf04str /Jf04str, 20.0, 3-15
Hose, Hyd, Tc04, Jf04str /Jf04str, 39.0, 3-15
Hose, Hyd, Tc04, Jf04str/Jf04str, 096.0, 2-125
Hose, Hyd, Tc06, Jf06e90/Jf06str, 040.0, 2-121
Hose, Hyd, Tc06, Jf06e90/Jf06str, 104.0, 2-121
Hose, Hyd, Tc06, Jf06str /Jf06e45, 54.0, 2-125
Hose, Hyd, Tc06, Jf06str /Jf06e90, 74.0, 3-15
Hose, Hyd, Tc06, Jf06str /Jf06str, 23.0, 3-15
Hose, Hyd, Tc06, Jf06str/Jf06str, 033.0, 3-15
Hose, Hyd, Tc06, Jf06str/Jf06str, 054.0, 2-125
Hose, Hyd, Tc06, Jf06Str/Jf06Str, 062.0, 3-15
Hose, Hyd, Tc08, Jf08e45/Jf08str, 26.0, 2-123
Hose, Hyd, Tc08, Jf08e45/Jf08str, 96.0, 2-121
Hose, Hyd, Tc08, Jf08e90/Jf08str, 024.0, 2-123
Hose, Hyd, Tc08, Jf08E90/Jf08Str, 029.0, 2-123
Hose, Hyd, Tc08, Jf08e90/Jf08str, 034.0, 3-15
Hose, Hyd, Tc08, Jf08e90/Jf08str, 046.0, 2-123
Hose, Hyd, Tc08, Jf08e90/Jf08str, 056.0, 3-15
Hose, Hyd, Tc08, Jf08e90/Jf08str, 13.0, 2-125
Hose, Hyd, Tc08, Jf08str/Jf08e90, 012.0, 3-13
Hose, Hyd, Tc08, Jf08str/Jf08e90, 031.0, 2-123
Hose, Hyd, Tc08, Jf08str/Jf08str, 024.0, 2-123
Hose, Hyd, Tc08, Jf08str/Jf08str, 031.0, 2-123
Hose, Hyd, Tc08, Jf08str/Jf08str, 034.0, 3-15
Hose, Hyd, Tc08, Jf08str/Jf08str, 056.0, 3-15
Hose, Hyd, Tc08, Jf08str/Jf08str, 21.0, 2-123
Hose, Hyd, Tc08, Jf08str/Jf08str, 48.0, 2-125
Hose, Hyd, Tc12, Jf12e90/Jf12str, 044.0, 2-123
Hose, Hyd, Tco4, Jf04Str/Qm06, 028.0, 2-127
Hose, Hyd, Med04, Jf04str/Jf04str, 066.0, 2-121
Hose, Hyd, Tc 04, Jf04str /Jf04e45 , 35.0, 2-127
Hose, Intake, Mold, 2.00id [Epdm], 2-41, 2-43, 2-45, 2-47
Hose, Intake, Mold, 2.00id, Gas [Epdm], 2-41
Hose, Intake, Mold, 2.00id, Lpg [Epdm], 2-45
Hose, Intake, Mold, 2.0id [Epdm M20/T20], 2-43, 2-47
Hose, Intake, Mold, 2.0id, Gas, 2-43
Hose, Intake, Mold, 2.0id, Lpg, 2-47
Hose, Lpg, Med05, Pm04str/Sm04str, 14.0l, 2-39
Hose, Lpg, Med05, Pm04str/Sm04str, 55.0l, 2-39
Hose, Mold, .62 To .75 (Cut in 2), 2-33
Hose, Mold, .62 To .75, 2-27
Hose, Pvc, Brd, 0.62id 0.88od 09.00l, 3-3
Hose, Pvc, Clr, 0.38id 0.56od 22.00l, 2-23, 2-28, 2-55
Hose, Pvc, Clr, 0.38id 0.56od 48.00l, 3-3, 3-5
Hose, Pvc, Clr, 0.38id 0.56od 022.0l, 2-25, 2-33
Hose, Pvc, Clr, 0.50id 0.69od 26.00l, 3-11
Hose, Pvc, Clr, 0.50id 0.69od 30.00l, 2-59
Hose, Radiator, Lower, Mold, 2-55
Hose, Radiator, Upper, Mold, 2-55
Hose, Rbr, 2.00id 2.50od 05.0l, 2-41, 2-45
Hose, Rbr, E90 1.25id 1.25id 04.2 03.1, 2-55
Hose, Supply, Gas, .25id, 2-33
Hose, Vacuum, 0.22id X 03.0l, 2-25, 2-31
Hose, Vacuum, 19.0l, 2-89
Hose, Valve, Press Trim, 350mm, 2-27
Hose, Vent, E90, 0.62id[Gm1.6l 2007], 2-43, 2-47
Hose, Water, Coil, 3-47
Housing Assy, Vacfan, Scrbr, 2-113
Housing Assy, Vacfan, Swpr, 2-115
Housing Kit, Pump, Water, 4-3
Housing Wldt, Brush, Drive, 2-79, 2-81
Housing Wldt, Swp, Scb, 2-83
Housing Wldt, Vacfan, Front [528], 2-113
Housing, Brg, Motor, Hyd, 4-5
Housing, Camshaft, 5-3, 5-11
Housing, Motor, Hyd [En], 4-9
Housing, Pump, 2-21
Housing, Sppt, Rear Wheel, 2-61
Housing, Throttle, 40mm [Bosch], 2-25, 2-27, 2-31
Housing, Valve, 4-5
Housing, 4-7
Housingl, 4-8
Hsg & Switch Kit, Pump, Repair,, 4-23
Hub Assy, Wheel, 5 Bolt 4.50bc Taper B, 2-61
Hub, Drive, Brush, Disk, 1.00b [6t], 3-7
Hub, Drive, Brush, Disk, 3hole 5.8bc[6t], 2-3
Hub, Drive, Brush, Disk, 3hole 5.8bc, 2-3

I

- Idler Assy, Brush, Replmt [M20/T20, M30], 2-79, 2-81
Impeller, 9.00d X 1.40w X 0.376b, 2-115
Impeller, 9.5d, 18 Blade Mach, 2-113
Indicator, Press, 60psi, 2-133
Injector Kit, Fuel, Gas, 2-23
Insert, Cap, Mount, Es Pump, 4-3
Insert, Plt, Cam, Pump, Hyd, 4-7
Instr. Repair Info, Motor, 4-8
Instr, Maint, Wall Chart [M20], 3-53
Instr, Motor, Hyd, Repair [En], 4-9
Instr, Repair, Motor, Hyd, Gear, 4-5
Instr, Repair, Pump, 4-7
Instr, Seal Kit, Motor, 4-10
Instr, Valve, Steering, Repair, 4-21
Insulation, Acstc, Rnd, 0.8, 02.5d 0.5h, 2-15
Insulation, Flame-Retardant, 0.5, 2-19, 2-35, 2-37

Insulation, Flame-Retardant, 0.50, 2-113
 Insulation, Flame-Retardant, 0.75-0.88, 2-9, 2-113
 Insulation, Flame-retardant, 0.75-0.88, 2-9, 2-13
 Insulation, Flame-Retardant, 1.0, 2-13
 Insulation, Shrd, Eng, Gusset, 2-19
 Insulation, Thermal, Hydraulic Blanket, 2-133
 Insulation, 3-41
 Isolator [Epr], 2-33
 Isolator, Box, Relay, 2-25, 2-31
 Isolator, Mtg, Vaporizer, Rbr, 2-27
 Isolator, Rbr, 2-51, 2-53
 Isolator, Vib, .50d, 2-21
 Isolator, Vib, Bshg, 1.1d 0.6l .4b 0.78h, 2-55, 2-113, 2-115

K

Key, Ignition [Set Of 2], 1-1, 2-11
 Key, Motor, Hyd, 4-5
 Key, Shaft, Pump, Hyd, 4-7
 Key, Sq, 0.12 X 0.12, 0.50l, 2-49
 Key, Sq, 0.12 X 0.12, 0.75l, 4-10
 Key, Sq, 0.12 X 0.12, 1.00l (Included With Motor), 2-113
 Key, Sq, 0.25 X 0.25, 1.25l, 2-79, 2-81
 Key, Valve Stem, 5-3
 Key, Woodruff, 0.25 1.00 [Asa#0808], 4-9
 Key-Wdruff 0.25 1.00, 4-8
 Kit, Bellows, Pump, Detgt, 4-22
 Kit, Brush, Motor, Ele, 4-3
 Kit, Seal, Motor, Hyd, Gear[Barns], 2-113, 4-10
 Kit, Seal, Motor, Hyd, 4-5
 Kit, Seal, Valve, Hyd [Cec], 4-10
 Kit, Valve, Check, Pump, Water, 4-3
 Knob Assy, Star, 1.12d 3ear M10, 2-91
 Knob, Star, 2.80d 4ear 1.1l .31-18 Pyp, 2-89
 Knob, Tee, 2.5x1.0 1.1l 0.38-16 Plstc, 2-15

L

Label [Nfsi Certification], 2-181
 Label Kit, Panel, Replmt [M20], 2-11
 Label Set, Brush Indicator & Removal, 2-181
 Label Set, Hi Temp, 2-181
 Label Set, Info/Hzrd, Swpr / Scrbr, Tj (Japan Only), 2-181
 Label Set, Info/Hzrd, Swpr / Scrbr, 2-181
 Label, Caution [Apply Parking Brake] (Japan Only), 2-181
 Label, Caution [Apply Parking Brake], 2-181
 Label, Off-White [Fast] (Option), 2-181
 Label, Off-White, Es (Option), 2-181
 Label, Switch, Rocker [T20], 2-11
 Lamp Strobe, Amb [12-48 Vdc], 3-37, 3-39

Lamp, 12vdc [Speaker], 2-5
 Lamp, Bulb, Lamp, Flsh, 3-35, 3-38
 Lamp, Bulb, Lamp, Strobe, 3-37, 3-39
 Lamp, Flasher, Amb [12-48 Vdc], 3-35, 3-38
 Latch Assy, Mtg, Tank, Lpg, W/Nut, 2-39
 Latch, Cover, 2-102
 Latch, Door [Southco 91-562-07], 2-19, 2-93, 2-97
 Latch, Hook, 2-95, 2-99
 Latch, 2-13, 2-55, 2-73, 2-75, 2-79, 2-81, 2-101, 2-102, 3-49
 Lens, Blue, Option, F/ Revl / Flsh Light, 3-35, 3-37, 3-38, 3-39
 Lens, Lamp, Amb, Strobe/Flasher, 3-35, 3-37, 3-38, 3-39
 Lens, Red, Option, F/ Revl / Flsh Light, 3-35, 3-37, 3-38, 3-39
 Light Kit, Flsh, Ci [M20 And T20], 3-35
 Light Kit, Flsh, W/Ohg, Ci[M20 And T20], 3-38
 Light Kit, Revl, Ci [M20 And T20], 3-37
 Light Kit, Revl, W/Ohg, Ci [M20 And T20], 3-39
 Light, Panl, 14vdc, , 1.1 X 1.0, 2-11
 Light, Tail, 12vdc, 2-75
 Link Assy, Rod-End, M12, 2-87
 Lock, Secondary, 2cav, Mp280 Sealed, 4-23

M

Magnet, Drive Brush, 2-39
 Maint Kit, Gas, 400hr[M20/T20], 1-1
 Maint Kit, Gas, 800hr[M20/T20], 1-1
 Maint Kit, Lpg, 400hr[M20/T20], 1-1
 Maint Kit, Lpg, 800hr[M20/T20], 1-1
 Manifold, Bar, Spray, 37.5inch, 2-107
 Manifold, Exhaust, 5-9
 Manifold, Gas, Relief, Valve, 2-37
 Manifold, Intake [1.6l], 2-23, 2-25, 2-27, 2-31
 Manual, Eng, Cd-Rom [Tier li, Gm1.6l], 3-53
 Manual, Oprtr [M20 Gas/Lpg En], 3-53
 Manual, Oprtr [M20 Gas/Lpg, Es, Na], 3-53
 Manual, Oprtr [M20 Gas/Lpg, Fr, Na], 3-53
 Manual, Parts [M20 Gas/Lpg En], 3-53
 Manual, Service [M20 En], 3-53
 Manual, Service, Eng [Gm1.6l], 3-53
 Manual, Service, Eng[Gm1.6l Em Cert], 3-53
 Mat, Floor, 2-7
 Mirror, Convex, 0.50D, 3-41
 Mixer, Lpg [Gm 1.6l], 2-27
 Mixer, W/70deg Ftg, 2-31
 Module, Ecu, Gas [Gm 1.6l], 2-23
 Module, Ecu, Gas [Gm1.6l 2700], 2-25
 Module, Ecu, Lpg [Gm 1.6l], 2-27
 Module, Ecu, Lpg [Gm1.6l 2700], 2-31
 Molding, Afmkt, Trim, Pvc, .08 .11, 1ft, 2-7
 Molding, Trim, Pvc, .08-.11 13.2l, 2-37
 Molding, Trim, Pvc, .18-.31 07.5l, 2-75

Motor Kit, Pump, Repair, 4-23
 Motor Kit, Replmt [M20&T20], 2-113
 Motor, Ele [12vdc, Shaker], 2-73
 Motor, Ele, 12vdc, Pump, Water, 4-3
 Motor, Ele, Gear, 14vdc, Pump, Detgt, 4-22
 Motor, Hyd Gear In 4.5 B 1500, 4-8
 Motor, Hyd, Gear, [Ex] .194 R 3000 (See Breakdowns), 2-115
 Motor, Hyd, Gear, [Int], 19.0 X 3000, 4-5
 Motor, Hyd, Gear, Ext 0.19 Rh 3000, 4-10
 Motor, Hyd, Gear, Int 04.5 Bi-Dir 1500 (See Breakdown), 2-79, 2-81
 Motor, Hyd, Gear, Int 08.9 Bi-Dir 2500 (See Breakdown), 3-7
 Motor, Hyd, Gear, Int 08.9 Bi-Dir 2500, 4-9
 Motor, Hyd, Gear, Int 19.0 Bi-Dir 3000 (See Breakdown), 2-61
 Mount Wldt, Eng, Gas/Lpg, 2-21
 Mount Wldt, Valve, Pinch, Lh, 2-111
 Mount Wldt, Valve, Pinch, Rh, 2-105
 Muffler, Catalytic [Gm 1.6], 2-51
 Muffler, Catalytic [Gm 1.6l 2007], 2-53
 Muffler, Short [Non-Catalytic Gm1.6/3.0], 2-51
 Muffler, Vacfan, 4.0id, 2-115

N

Nipple, Hose, 3-47
 Nozzle Kit, Spray, Ci, 3-47
 Nozzle, Spray, Gun, 3-47
 Nozzle, Wand, Plstc, 14.0l, 3-45
 Nozzle, Wand, Plstc, 14.0lg, 3-43
 Nozzle, 3-47
 Nut, Coil, F/#8, 4-11, 4-13, 4-17
 Nut, Coil, Nyl Patch, 4-15, 4-19
 Nut, Ftg, Hyd, 0.56-18, 2-131
 Nut, Hex, Fing, M5 X 0.8, 2-69
 Nut, Hex, Fing, M8 X 1.25, 2-33, 2-93, 2-97, 2-131
 Nut, Hex, Jam, .31-24, 2-65
 Nut, Hex, Jam, .50-20, Lh, 2-83
 Nut, Hex, Jam, .50-20, 2-83, 3-9
 Nut, Hex, Jam, M10 X 1.5, Ss, 2-39, 2-49
 Nut, Hex, Jam, M20 X 1.5, 2-15
 Nut, Hex, Lock, .25-20, NI, Ss, 2-67
 Nut, Hex, Lock, .25-20, NI, 2-35, 2-37, 2-113
 Nut, Hex, Lock, .31-18, NI, Thin, 2-13
 Nut, Hex, Lock, .31-18, NI, 2-13, 2-49
 Nut, Hex, Lock, .31-24, NI, Thin, 2-115
 Nut, Hex, Lock, .38-16, NI, Ss, 2-39, 3-9
 Nut, Hex, Lock, .38-16, NI, Thin, 2-39, 2-67, 2-113, 2-115
 Nut, Hex, Lock, .50-13, NI, Ss, 2-91
 Nut, Hex, Lock, .50-13, NI, Thin, 2-83
 Nut, Hex, Lock, .50-20, NI, Thin, 2-83
 Nut, Hex, Lock, .75-10, NI, 2-61
 Nut, Hex, Lock, #08-32, NI, 2-11
 Nut, Hex, Lock, M10 X 1.5, NI, Ss, 2-71, 2-87, 2-91

CROSS REFERENCE

Nut, Hex, Lock, M10 X 1.5, NI, 2-39, 2-55, 2-115, 2-131, 3-41, 3-51
Nut, Hex, Lock, M12 X 1.75, NI, Ss, 2-83, 2-87
Nut, Hex, Lock, M12 X 1.75, NI, 2-21, 2-63
Nut, Hex, Lock, M4 X 0.7, NI, Ss, 2-19, 2-67, 2-93, 2-97, 3-3
Nut, Hex, Lock, M4 X 0.7, NI, 2-13, 2-19, 2-56, 3-19
Nut, Hex, Lock, M5 X 0.8, NI, Ss, 2-79, 2-81, 2-107, 3-11, 3-17, 3-23
Nut, Hex, Lock, M5 X 0.8, NI, 2-13, 2-23, 2-27, 2-59
Nut, Hex, Lock, M5 X 0.80, NI, Ss, 3-31, 3-33, 3-35, 3-37, 3-38, 3-39, 3-49
Nut, Hex, Lock, M5 X 0.80, NI, 3-47
Nut, Hex, Lock, M6 X 1.0, NI, 2-13, 2-15, 2-17, 2-23, 2-27, 2-41, 2-45, 2-55, 2-59, 2-65
Nut, Hex, Lock, M6 X 1.0, Ss, NI, 2-11, 2-51, 2-73, 2-77, 2-85, 2-87, 2-107, 2-109
Nut, Hex, Lock, M6 X 1.00, NI, Ss, 3-49
Nut, Hex, Lock, M6 X 1.00, NI, 2-7, 2-47
Nut, Hex, Lock, M6 X 1.00, Ss, NI, 2-109
Nut, Hex, Lock, M8 X 1.25, NI, Ss, 2-51, 2-53, 2-55, 2-67, 2-71, 2-73, 2-77, 2-79, 2-81, 2-85, 2-87, 2-89, 2-91, 2-93, 2-95, 2-97, 2-99, 2-101, 2-105, 2-111, 3-7, 3-11, 3-13
Nut, Hex, Lock, M8 X 1.25, NI, 2-5, 2-7, 2-19, 2-35, 2-37, 2-39, 2-41, 2-43, 2-45, 2-47, 2-49, 2-55, 2-59, 2-65, 2-67, 2-95, 2-99, 2-115, 2-135, 3-13
Nut, Hex, M10 X 1.5 [Stover], 2-51
Nut, Hex, M10 X 1.50 [Stover], 2-51, 2-53
Nut, Hex, Sltd, .75-16, 2-63
Nut, Hex, Sltd, 1.12-18, 2-61
Nut, Hex, Sltd, M20 X 2.5, 8, 2-79, 2-81
Nut, Hex, Std, .25-20, 2-25, 2-31
Nut, Hex, Std, .25-28, Lh, 2-65
Nut, Hex, Std, .25-28, 2-65, 2-67
Nut, Hex, Std, .31-18, 2-49, 3-41
Nut, Hex, Std, .38-16, 2-53
Nut, Hex, Std, M10 X 1.50, 2-73
Nut, Hex, Std, M12 X 1.75, Ss, 2-95, 2-99
Nut, Hex, Std, M16 X 2.0, 2-17
Nut, Hex, Std, M3 X 0.5, 8, 2-73
Nut, Hex, Std, M5 X 0.8, 8, 2-21, 2-67
Nut, Hex, Std, M8 X 1.25, Brs, 2-21
Nut, Hex, Std, M8 X 1.25, Ss, 2-95, 2-99
Nut, Hex, Std, M8 X 1.25, 2-7, 2-49, 2-73
Nut, Isolator, .38-16 Wall Th .015-.437, 3-43
Nut, Low Crown, .50-20, 2-113
Nut, Manifold, Exhaust, M8 X 1.25, 5-9
Nut, Motor, Hyd, 4-5
Nut, Solenoid, 4-13, 4-17
Nut, T, M10 X 1.50 X 15.80d X 13.0l, 2-93, 2-97
Nut, T, M8 X 1.25 X 14.50d X 9.5l, 3-7
Nut, Wheel, .50-20 X 60 Angle, 2-61
Nut-Hxslot .75-16 Pltd, 4-8

O

Ohg Kit, Ci [M20 And T20], 3-41

P

Pad, Pedal, Brake, 3.96l 2.36w 0.75, 2-65
Pad, Tank, Hyd [W/Psa], 2-131, 2-133
Paint, Airdry, Blk, 12oz, 1-1
Paint, Airdry, Gray, 12oz [Enamel], 1-1
Paint, Airdry, Iron Gray, 12oz [Pwdr Coat], 1-1
Paint, Airdry, Off-White, 12oz, 1-1
Paint, Airdry, Teal, 12oz, Solid, 1-1
Pan, Oil, W/ Baffle / Plug / Seal, 5-8
Panel Kit, Instmt, Repair [M20/M30], 2-11
Panel Wldt, Adj [2007], 2-7
Panel Wldt, Adj, 2-7
Panel Wldt, Filler, 2-5
Panel Wldt, Gas, Replmt [W/Fast], 2-7
Panel Wldt, Gas, Replmt, TJ (Japan only), 2-7
Panel Wldt, Gas, Replmt, TJ [W/Fast] (Japan only), 2-7
Panel Wldt, Gas, Replmt, TJ, W/Es (Japan only), 2-7
Panel Wldt, Gas, Replmt, 2-7
Panel Wldt, Gas, W/ Es, Replmt, 2-7
Panel Wldt, LPG, Replmt [W/Fast], 2-7
Panel Wldt, LPG, Replmt, TJ (Japan only), 2-7
Panel Wldt, LPG, Replmt, TJ [W/Fast] (Japan only), 2-7
Panel Wldt, LPG, Replmt, TJ, W/Es (Japan only), 2-7
Panel Wldt, LPG, Replmt, W/Es, 2-7
Panel Wldt, LPG, Replmt, 2-7
Panel Wldt, Shrd, Fan, 2-55
Panel, Access, Door, 2-7
Panel, Access, Floor, 2-7
Panel, Instmt, Rh, Gas, Replmt, 2-11
Panel, Instmt, Rh, Lpg, Replmt, Ce (Japan and CE Only), 2-11
Panel, Instmt, Rh, Lpg, Replmt, 2-11
Pawl, Str, 2-79, 2-81
Pedal, Brake, Lock, 2-65
Pedal, Propel, 2-66
Pin Wldt, Front, 2-89
Pin Wldt, Lift (Replaced by 9003478), 2-91
Pin Wldt, Pivot, Hpr, 2-5
Pin Wldt, 3-9
Pin, 0.63d 01.8l, 1/M10h, 2cham, 2-91
Pin, 0.87d 01.8l, 1/M6 X 1.0, 1cham, Stl, 2-69
Pin, Arm, Safety, 2-69
Pin, Clevis, 0.25d X 0.75l, 2-65
Pin, Clevis, 0.31d X 0.75l, 3-7
Pin, Clevis, 0.31d X 1.00l, 2-65
Pin, Clevis, 0.37d X 1.31l, 3-9
Pin, Clevis, 0.37d X 1.50l, 3-9
Pin, Clevis, 0.37d X 1.75L, 2-95, 2-99
Pin, Clevis, 0.37d X 1.75l, 2-77, 2-83, 3-9
Pin, Clevis, 0.37d X 2.00l, 2-87

Pin, Clevis, 0.50 D X 4.50l, 2-67
Pin, Clevis, 0.62d X 2.91l, 2-69
Pin, Clevis, 0.75d X 2.00l, 2-83
Pin, Clevis, 0.88d X 2.25l, 2-69
Pin, Clevis, 30mmd X 200mml, 2-5, 2-75, 3-11
Pin, Cotter, .062 X 0.50, 2-65
Pin, Cotter, .094 X 1.00, 2-65, 2-69, 2-77, 2-87, 3-7, 3-9
Pin, Cotter, .125 X 1.00, 2-67, 2-95, 2-99
Pin, Cotter, .125 X 1.25, 2-79, 2-81
Pin, Cotter, .125 X 2.00, 2-61
Pin, Cotter, .156 X 1.25, 2-83
Pin, Cotter, .156 X 2.00, 2-63, 2-75
Pin, Cotter, Hair, 0.31d .058 Wir, 2-13
Pin, Cotter, Hair, 0.38d .072 Wir, 2-83
Pin, Cotter, Hair, 0.62d .120 Wir, 2-69
Pin, Cotter, Hair, Dbl, 2-5, 3-11
Pin, Dowel, Pump, Hyd, 4-7
Pin, Grvd, 0.43d 01.8l [303ss], 2-89
Pin, Hitch, .375d X 3.12l, Pl, 3-7, 3-51
Pin, Lift, Drain, 2-109
Pin, Locating, Lpg, 2-39
Pin, Lock, Cyl Head, 14mm X 17mm, 5-3, 5-5
Pin, Lock, Transmission, 5-5
Pin, Locking, Steering, Tilt, 2-15
Pin, Retainer, 2-27
Pin, Ring, Lock, Hsng, Water Pump, 5-7
Pin, Roll, .125 D X 0.75l, .125/.129, 2-75
Pin, Valve, Steering, 4-21
Piston, Pump, Hyd, Gear, 4-5
Piston, W/ Pin, Std, 5-5
Pivot Wldt, Brush, Side, 3-9
Plate Assy, Orifice, 0.0105id, Green, 4-24
Plate Wldt, Arm, Stop, 2-69
Plate Wldt, Hose, Vacuum, 2-113
Plate Wldt, Lift, Sqge, 2-87
Plate Wldt, Mtg, Solenoid, 2-75
Plate Wldt, Seat, 2-13
Plate Wldt, Shkr, Side, 2-73
Plate, Backing, Brake, 2-63
Plate, Bottom, Hpr, 2-77
Plate, Cam, 4-7
Plate, Cover, 4-7
Plate, Guard, Fan Shrd, Gas/Lpg, Replmt, 2-55
Plate, Handle, 2-79, 2-81
Plate, Hook, Latch, [M20], 3-49
Plate, Hsng [Fast], 3-17
Plate, Mtg, Latch, 2-101, 2-102
Plate, Mtg, Light, 2-11
Plate, Mtg, Prop Rod, 2-109
Plate, Mtg, Pump, 3-47
Plate, Mtg, Relay, 2-25, 2-31
Plate, Mtg, Seal, 2-17, 2-55
Plate, Mtg, Skirt, Scb Head, 2-85
Plate, Mtg, Vacuum Wand, 3-43
Plate, Mtg, Valve, 3-23, 3-31
Plate, Mtg, 3-51
Plate, Orifice, 0.070id, 3-17
Plate, Orifice, 0.093id, 3-17
Plate, Pin, Clevis, Upper, 2-69

Plate, Retainer, Door, Dump, 2-77
 Plate, Seal, Sound, 2-19
 Plate, Shagr, Bar, 2-73
 Plate, Shagr, 2-73
 Plate, Shield, Heat, Gas/Lpg, Replmt, 2-51, 2-53
 Plate, Skirt, Front, 2-85
 Plate, Spacer, Motor, Hyd [En], 4-9
 Plate, Sppt, Tank, 2-109
 Plate, Sppt, 2-65
 Plate, Stop, Brake, 2-65
 Plate, Tank, Bottom, 2-109
 Plate, Valve, Motor, Hyd, 4-5
 Plate, Valve, Pump, Hyd, 4-7
 Plate, Wear, Steering Valve, 4-21
 Plug #10, 4-8
 Plug #4, 4-8
 Plug Assy [Cl], 4-21
 Plug Kit, Drain, Recvy, Ci [M20 & T20], 2-109
 Plug Orifice, Valve, Hyd, .140, 4-19
 Plug Wldt, Drive, Brush, Sweep, 2-79, 2-81
 Plug Wldt, Drive, Brush, 2-79, 2-81
 Plug, .12npt, Ss, 2-25, 2-27, 2-31
 Plug, Bore, Valve, Relief, Oil Press, 5-7
 Plug, Drain, Expandable, 4.75-6.00, 2-109
 Plug, Drain, Oil Pan, M14 X 1.5 X 12, 5-8
 Plug, Hole, Coolant, Eng Block, 5-5
 Plug, Hole, Core, Eng Block, 5-8
 Plug, Hole, Injector, 2-27, 2-31
 Plug, Hole, Rnd, 0.50h .03-.12, Blk Nyl, 2-11
 Plug, Hole, Rnd, 0.81h, Blk, 2-7
 Plug, Hole, Rnd, 0.88h .03-.12, Blk Nyl, 2-7
 Plug, Hole, Rnd, 1.00h .03-.12, Blk Nyl, 2-7
 Plug, Hole, Rnd, 1.25H .03-.12, Blk Nyl, 2-13
 Plug, Hole, Rnd, 2.50h .03-.25, Blk Nyl, 2-7
 Plug, Hole, Rt, Rocker Switch, .87 X 1.7, 2-11
 Plug, Hole, Soltn Tank, Blk Pyu, 2-101
 Plug, Hose, Pyu, 2-105, 2-111
 Plug, Hsng, Oil Pump, 5-7
 Plug, Manifold, Intake, 2-23, 2-25, 2-27, 2-31
 Plug, Orifice, 0.060, Ss [Fast li+], 4-24
 Plug, Orifice, Valve, Hyd, .030, 4-11, 4-19
 Plug, Orifice, Valve, Hyd, .040, 4-11, 4-13, 4-15, 4-19
 Plug, Orifice, Valve, Hyd, .046, 4-17, 4-19
 Plug, Orifice, Valve, Hyd, .063, 4-17
 Plug, Port, Sensor [Map], 2-23, 2-25, 2-27, 2-31
 Plug, Pump, Hyd, Gear, 4-5
 Plug, 4-5
 Plunger, 3-43, 3-45
 Poppet, Pump, Hyd, Gear, 4-5
 Pulley, Tension, Belt, Timing, 5-11
 Pump Assy, Column, Es (See Breakdown), 3-5

Pump Assy, Column, Es, 4-3
 Pump Kit, Hyd, Rotating [Cessna], 4-7
 Pump, Diaphragm, 4-23
 Pump, Air, Ele, 12vdc, 3-19
 Pump, Detgt, 12vdc, 3-19
 Pump, Detgt, 14vdc, 150ml/Min 20psi (See Breakdown), 3-3
 Pump, Detgt, 14vdc, 150ml/Min 20psi, 4-22
 Pump, Diaphragm (See Breakdown), 3-47
 Pump, Fuel, Hi Press [Gm 1.6l/3.0l], 2-35, 2-37
 Pump, Hyd, Gear, Ext, 3, 00.97 2500, Cw, 2-129
 Pump, Hyd, Piston, Var, 1.24 4000, Cw (See Breakdown), 2-129
 Pump, Hyd, Piston, Var, 1.24 4000, Cw, 4-7
 Pump, Oil, 5-7
 Pump, Soltn, 13.7vdc, 65psi [Fast li+], 3-27
 Pump, Soltn, Ele, 12vdc [W/O Chk Valve], 3-17
 Pump, Water [Gm], 5-7

Q

Qd36Gasket, Body, Throttle [1.6l], 2-23

R

Race Thrust, 4-8
 Race, Brg, Pump, Hyd, 4-7
 Radiator (Replaced by 1045316), 2-56
 Radiator, 2-56
 Rail, Injector, Fuel, Plstc, 2-25
 Rail, Injector, Gas, W/ Press Reg, 2-23
 Receptacle, Lamp [Speaker], 2-5
 Regulator [Ep], 2-33
 Relay, 12vdc, 20a, Spdt, 2-179
 Relay, 12vdc, 40a, Spdt N/O, 2-59, 3-17, 3-47
 Relay, 12vdc, 40a, Spdt, 2-179
 Relay, 12vdc, 040a, Spdt No, 3-27
 Reservoir, Hyd, 10.0Gal, Replmt, 2-133
 Restrictor, Jet, Coolant, 2-27
 Retainer, Boot, Steering Column, 2-15
 Retainer, Camshaft, 5-11
 Retainer, Motor, Hyd, 4-5
 Retainer, Ring, Brake, 2-63
 Retainer, Skirt, Front, 2-85
 Retainer, Skirt, 2-85
 Retainer, Sparkplug, 1 Way, 5-12
 Retainer, Sparkplug, 2 Way, 5-12
 Retainer, Sparkplug, 3 Way, 5-12
 Retainer, Spring, 2-87
 Retainer, Sqge, Side, Lh, 2-97
 Retainer, Sqge, Side, Rh, 2-93
 Retainer, Sqge, 3-7
 Ring Kit, Piston, Std 78.95-79.02mm, 5-5
 Ring, Lock, 4-7
 Ring, Motor, Hyd, 4-5

Ring, Mtg, Sqge, .50l, 2-89
 Ring, Retainer, Steering Valve, 4-21
 Ring, Retaining, Ext, 0.38d, [E-Ring], 2-89, 2-91
 Ring, Retaining, Ext, 0.38d, [Selflock], 2-87
 Ring, Retaining, Ext, 0.50d, Hd, 2-15
 Ring, Retaining, Ext, 0.62d, Hd, 2-91
 Ring, Retaining, Ext, 0.98d, [E-Ring], 2-65
 Ring, Retaining, Ext, 1.00d, Basic, 2-79, 2-81
 Ring, Retaining, Int, 2.00d, 2-69
 Ring, Retaining, Pump, Hyd, 4-7
 Ring, Retaining, 4-7
 Rivet, Blind, .125d X 0.54 X .25d, Alm, 2-101, 2-102
 Rivet, Plstc, .250d X 0.898, 2-15
 Rivet, Plstc, .250d X 0.90, 3-45
 Rod Wldt, Arm, Safety, 2-69
 Rod, Connecting, M08 X 45, 5-5
 Rod, Hanger, Isolator, 2-53
 Rod, Thrd, 2 End, .50-20 04.9l, Rh / Lh, 2-83
 Rod-End, .25-28rh Fem 0.25b [Teflon], 2-67
 Rod-End, .50-20lh Fem 0.50-20stud, 2-83
 Rod-End, .50-20rh Fem 0.50b, 2-83
 Rod-End, .50-20rh Mal 0.50b, 3-9
 Rod, 2-65
 Roller, Brg, 2-105, 2-111

S

Screen Wldt, Hppr, 2-71
 Screen, Oil Pump, W/ Suc Pipe, 5-7
 Screen, Pump, 3-5
 Screen, Vacuum, 2-109
 Screw, Adj, Valve, Hyd, 5-3
 Screw, Btn, M8 X 1.25 X 16, Ss, 3-11
 Screw, Btn, M8 X 1.25 X 20, Blk, 2-93, 2-97, 3-49
 Screw, Btn, M8 X 1.25 X 25, Ss, 3-7
 Screw, Cap, Motor, Hyd, 4-5
 Screw, Cap, 4-7
 Screw, Flt, .25-20 X 1.00, Al, 2-113
 Screw, Flt, .38-16 X 0.75, Al, 2-49
 Screw, Flt, .38-16 X 1.00, Al, 2-49
 Screw, Flt, .38-16 X 1.50, Al, 2-113
 Screw, Flt, M10 X 1.5 X 25, 10.9, 2-93, 2-97
 Screw, Flt, M10 X 1.5 X 30, Ss 18-8, 2-77
 Screw, Flt, M8 X 1.25 X 20, Blk, 2-93, 2-97
 Screw, Flt, M8 X 1.25 X 25, 10.9, 2-77, 2-115
 Screw, Flt, M8 X 1.25 X 25, 2-19
 Screw, Flt, M8 X 1.25 X 30, Ss, 2-105, 2-111
 Screw, Hex, .25-14 X 0.75, Fmg/Ab, Ss, 2-109
 Screw, Hex, .25-20 X 0.50, 5, 2-21
 Screw, Hex, .25-20 X 0.50, G5, 2-25, 2-31
 Screw, Hex, .25-20 X 0.75, G5, 2-25, 2-31

CROSS REFERENCE

- Screw, Hex, .25-20 X 0.75, NI, 2-115
Screw, Hex, .25-20 X 1.00, 5, 3-7
Screw, Hex, .25-20 X 1.75, Ss, 2-67
Screw, Hex, .25-20 X 2.25, Ss, 2-67
Screw, Hex, .31-18 X 1.75, 5, 2-49
Screw, Hex, .31-18 X 4.50, 5, 2-49
Screw, Hex, .31-24 X 0.75, NI, 2-67
Screw, Hex, .38-16 X 0.75, NI, 2-79, 2-81, 3-7
Screw, Hex, .38-16 X 0.88, 5, 3-51
Screw, Hex, .38-16 X 1.00, 5, 2-35, 2-67
Screw, Hex, .38-16 X 1.25, 5, 2-129, 3-43
Screw, Hex, .38-16 X 1.25, NI, 2-67
Screw, Hex, .38-16 X 1.50, Ss, 3-9
Screw, Hex, .38-16 X 2.00, Ss, 2-67
Screw, Hex, .38-16 X 3.00, 5, 2-39
Screw, Hex, .38-16 X 3.75, 5, 2-39
Screw, Hex, .50-13 X 1.25, 5, 2-21
Screw, Hex, .50-13 X 1.50, 5, 2-83
Screw, Hex, .50-13 X 3.00, Ss18-8, 2-91
Screw, Hex, .75-10 X 4.00, 5, 2-61
Screw, Hex, #10-16 X 0.62, Fmg [Ab], 3-47
Screw, Hex, #10-16 X 0.62, Fmg, [Ab], 2-17
Screw, Hex, #10-24 X 0.50, Ss, 2-49
Screw, Hex, M07-1.00 X 23.0, 8.8, 2-21
Screw, Hex, M10 X 1.5 X 16, 8.8, 2-15
Screw, Hex, M10 X 1.5 X 20, 8.8, 2-49
Screw, Hex, M10 X 1.5 X 20, Ss, 2-73, 2-77
Screw, Hex, M10 X 1.5 X 25, 8.8, 2-5, 2-7, 2-21, 2-131
Screw, Hex, M10 X 1.5 X 25, Ss, 2-69, 2-75, 2-83, 2-95, 2-99
Screw, Hex, M10 X 1.5 X 30, 8.8, 3-41
Screw, Hex, M10 X 1.5 X 30, Ss, 2-5, 2-77, 2-87, 3-11
Screw, Hex, M10 X 1.5 X 35, 8.8, 2-51, 2-53, 3-51
Screw, Hex, M10 X 1.5 X 40, 8.8, 2-115
Screw, Hex, M10 X 1.5 X 45, 8.8, 3-51
Screw, Hex, M10 X 1.5 X 80, 8.8, 3-51
Screw, Hex, M10 X 1.50 X 20, 8.8, 2-53
Screw, Hex, M10 X 1.50 X 60, 8.8, 2-73
Screw, Hex, M12 X 1.75 X 30, 8.8, 3-9
Screw, Hex, M12 X 1.75 X 30, Ss, 2-75
Screw, Hex, M12 X 1.75 X 40, 8.8, 2-63, 2-83
Screw, Hex, M12 X 1.75 X 55, Ss, 2-95, 2-99
Screw, Hex, M12 X 1.75 X 60, 8.8, 2-21
Screw, Hex, M16 X 2.0 X 90, 8.8, 2-17
Screw, Hex, M4 X 0.7 X 10, Fmg, 2-69
Screw, Hex, M4 X 0.7 X 12, 8.8, 3-19
Screw, Hex, M5 X 0.8 X 10, Fmg, 2-83
Screw, Hex, M5 X 0.8 X 12, Ss, 3-11
Screw, Hex, M5 X 0.8 X 16, Fmg, 3-43, 3-51
Screw, Hex, M5 X 0.8 X 20, 8.8, 2-13, 2-67, 2-69
Screw, Hex, M5 X 0.80 X 16, Fmg, 3-45
Screw, Hex, M6 X 1.0 X 12, Fmg, 2-5, 2-55, 2-131
Screw, Hex, M6 X 1.0 X 12, Ss, 3-49
Screw, Hex, M6 X 1.0 X 16, 8.8, 2-17, 2-23, 2-27, 2-55, 2-59, 2-65
Screw, Hex, M6 X 1.0 X 16, Fmg, 2-65, 2-67, 2-75, 2-85, 3-3, 3-17, 3-19
Screw, Hex, M6 X 1.0 X 16, Ss, 2-73
Screw, Hex, M6 X 1.0 X 20, 8.8, 2-13, 2-41, 2-43, 2-45, 2-55
Screw, Hex, M6 X 1.0 X 20, 9.8, Sems, 2-56, 2-69
Screw, Hex, M6 X 1.0 X 20, Ss, 2-51, 2-53, 2-77, 2-107, 2-109
Screw, Hex, M6 X 1.0 X 25, 8.8, 2-75
Screw, Hex, M6 X 1.0 X 25, Ss, 2-95, 2-99
Screw, Hex, M6 X 1.0 X 35, Ss, 2-85
Screw, Hex, M6 X 1.0 X 50, 8.8, 2-37
Screw, Hex, M6 X 1.0 X 55, Ss, 2-109
Screw, Hex, M6 X 1.0 X 60, 8.8, 2-65
Screw, Hex, M6 X 1.00 X 12, Ss, 2-102, 3-49
Screw, Hex, M6 X 1.00 X 16, 8.8, 2-7, 2-25, 2-31, 2-33
Screw, Hex, M6 X 1.00 X 16, Ss, 3-27
Screw, Hex, M6 X 1.00 X 20, 9.8, Sems, 2-15, 2-17
Screw, Hex, M6 X 1.00 X 25, 9.8 Sems, 2-11, 2-43, 2-47
Screw, Hex, M6 X 1.00 X 25, Ss, 2-109
Screw, Hex, M6 X 1.00 X 35, 8.8, 2-25, 2-31
Screw, Hex, M8 X 1.25 X 100, 8.8, 3-13
Screw, Hex, M8 X 1.25 X 110, Ss, 2-89
Screw, Hex, M8 X 1.25 X 120, 8.8, Fl, 2-135
Screw, Hex, M8 X 1.25 X 130, 8.8, 2-79, 2-81
Screw, Hex, M8 X 1.25 X 16, 8.8, 2-49, 2-109, 3-9
Screw, Hex, M8 X 1.25 X 16, Ss, 2-79, 2-81, 2-105, 2-111
Screw, Hex, M8 X 1.25 X 20, 8.8, 2-7, 2-13, 2-17, 2-19, 2-35, 2-37, 2-39, 2-41, 2-43, 2-45, 2-47, 2-49, 2-61, 2-65, 2-113
Screw, Hex, M8 X 1.25 X 20, Ss, 2-7, 2-13, 2-19, 2-55, 2-73, 2-83, 2-85, 2-95, 2-99, 2-101, 2-105, 2-109, 2-111, 2-113, 2-135, 2-137, 3-3, 3-5, 3-19, 3-27, 3-33, 3-35, 3-37, 3-47
Screw, Hex, M8 X 1.25 X 25, 8.8, 2-5, 2-7, 2-35, 2-37, 2-39, 2-41, 2-43, 2-45, 2-47, 2-55, 2-73, 2-105, 2-111, 2-131, 2-133
Screw, Hex, M8 X 1.25 X 25, 9.8, Sems, 2-5, 2-59, 2-75, 2-109, 2-115
Screw, Hex, M8 X 1.25 X 25, Fmg, 2-85, 3-19, 3-23, 3-31
Screw, Hex, M8 X 1.25 X 25, Ss, 2-67, 2-71, 2-77, 2-85, 2-87, 2-101, 3-7, 3-9, 3-13
Screw, Hex, M8 X 1.25 X 30, 8.8, 2-105, 2-111
Screw, Hex, M8 X 1.25 X 35, 8.8, 2-65, 2-105, 2-111
Screw, Hex, M8 X 1.25 X 35, Ss, Fl, 2-87
Screw, Hex, M8 X 1.25 X 40, Ss, NI, 2-67
Screw, Hex, M8 X 1.25 X 45, 8.8, 2-35, 2-37
Screw, Hex, M8 X 1.25 X 45, Ss, 2-51, 2-53, 2-91
Screw, Hex, M8 X 1.25 X 50, 8.8, 2-67
Screw, Hex, M8 X 1.25 X 50, Ss, Fl, 2-85
Screw, Hex, M8 X 1.25 X 60, 8.8, Fl, 2-7, 2-49
Screw, Hex, M8 X 1.25 X 60, 8.8, 2-73, 2-87
Screw, Hex, M8 X 1.25 X 60, Fl, 2-83
Screw, Hex, M8 X 1.25 X 70, 8.8, 2-65
Screw, Hex, M8 X 1.25 X 90, 8.8, 2-91
Screw, Motor, Hyd [En], 4-9
Screw, Pan, #12-16 X 0.50, F/ Plstc, 2-109, 3-52
Screw, Pan, M3 X 0.5 X 20, 4.8, 2-73
Screw, Pan, M4 X 0.7 X 10, Ss, 2-93, 2-97
Screw, Pan, M4 X 0.7 X 16, 4.8, 2-19
Screw, Pan, M4 X 0.7 X 16, Ss, 2-19, 3-3
Screw, Pan, M4 X 0.7 X 20, 4.8, 2-75
Screw, Pan, M4 X 0.7 X 20, Ss, 2-75
Screw, Pan, M4 X 0.7 X 25, 4.8, 2-13
Screw, Pan, M4 X 0.7 X 35, Ss, 2-67
Screw, Pan, M4 X 0.70 X 16, 4.8, 2-55
Screw, Pan, M5 X 0.8 X 12, Ss, 2-13, 2-19, 2-39, 2-73, 2-107, 3-17, 3-23
Screw, Pan, M5 X 0.8 X 40, 4.8, 2-23, 2-27
Screw, Pan, M5 X 0.8 X 40, Ss, 2-79, 2-81, 3-17
Screw, Pan, M5 X 0.80 X 45, 4.8, 3-47
Screw, Pan, M6 X 1.0 X 16, Ss, 2-87
Screw, Pan, M6 X 1.00 X 16, 4.8, 2-49
Screw, Pan, M8 X 1.25 X 25, Blk, 2-7, 2-11, 2-13, 2-15, 2-19
Screw, Pan, M8 X 1.25 X 25, Ss, 2-5
Screw, Pan, Phl, 06-20 X 0.50, Fmg/Ab, 2-101, 2-102
Screw, Pan, Phl, 12-16 X 0.50, F/ Plstc, 2-101, 2-102
Screw, Pan, Phl, M5 X 0.80 X 12, Ss, 3-27, 3-31, 3-49
Screw, Pan, Phl, M5 X 0.80 X 20, Ss, 3-33, 3-35, 3-37, 3-38, 3-39
Screw, Pan, Phl, M6 X 1.00 X 35, Ss, 2-3
Screw, Set, #10-24 X 0.25, NI, 2-73
Screw, Soc, .25-20 X 0.75, Al, 2-15
Screw, Soc, .38-16 X 1.50, Al, 2-21
Screw, Soc, .50-13 X 1.50, Al, 2-61
Screw, Soc, M12 X 1.75 X 55, 10.9, 2-21
Screw, Soc, M16 X 2.0 X 50, 12.9, 2-61
Screw, Soc, M6 X 1.0 X 25, 12.9, 2-23
Screw, Soc, M6 X 1.0 X 45, 12.9, 2-23
Screw, Soc, M6 X 1.00 X 25, 12.9, 2-25, 2-31
Screw, Soc, M6 X 1.00 X 45, 12.9, 2-25

- Screw, Soc, M8 X 1.25 X 25, 12.9, 2-95, 2-99
 Screw, Soc, M8 X 1.25 X 35, 12.9, 2-95, 2-99
 Screw, Soc, M8 X 1.25 X 70, 12.9, 2-31
 Screw, Valve, Steering, 4-21
 Screw, 2-33, 4-8
 Seal Kit, Cartridge, 2-137, 4-11, 4-13, 4-15, 4-17, 4-19
 Seal Kit, Motor [C], 4-9
 Seal Kit, Pump, Hyd, 4-7
 Seal Kit, Steering [C], 4-21
 Seal Replmt Kit, 4-8
 Seal, Afmkt, Bulb, 90, 0.50d, 02ft, 2-13
 Seal, Afmkt, Bulb, 90, 0.75d F/11ga 02ft, 2-13, 2-19
 Seal, Afmkt, Bulb, 90, 0.75d F/11ga 08ft, 2-7
 Seal, Afmkt, Bulb, Str, 1.0d F/11ga 08ft, 2-17
 Seal, Afmkt, Sponge, 0.88 1.00w 08ft, 2-17
 Seal, Afmkt, Ure, Adh, 0.38, 0.75w 08ft (Replaced By none), 2-73
 Seal, Bulb, Str, .50Hi .50W 047.2L, Adh, 2-101, 2-102
 Seal, Door, Dump, Side, 2-77
 Seal, Door, Dump, 2-77
 Seal, Drive, Rear, Grease Cav, 2-61
 Seal, Foam, 0.50, 2-7
 Seal, Oil, Cshft, 5-5
 Seal, Org, .069 X 3.06id, 2-129
 Seal, Org, .072 X 00.35id #04, 4-11, 4-17
 Seal, Org, .078 X 00.47id #06, 4-11, 4-13, 4-17
 Seal, Org, .078 X 00.47id 06, 4-15
 Seal, Org, .087 X 00.64id #08, 4-17
 Seal, Org, Bolt, Cover, Camshaft Hsng, 5-11
 Seal, Org, Cap, Fltr, Oil, 5-8
 Seal, Org, Cap, 5-3
 Seal, Org, Hsng, Oil Pump, 5-7
 Seal, Org, Oil Pump, 5-7
 Seal, Org, Press Switch / Drain Plug, 5-7, 5-8
 Seal, Org, Sensor, Temp [Epr], 2-33
 Seal, Org, Throttle Body, 2-27
 Seal, Org, Water Pump, 5-7
 Seal, Org, 2-27
 Seal, Panl, Instmt, 2-7
 Seal, Plug, Drain, Nitrile, 2-109
 Seal, Radiator, Upper, 2-59
 Seal, Radiator, 2-55
 Seal, Rbr, Clsd, 0.13, Instmt Panl, 2-11
 Seal, Ring, Pipe, Suc, Oil Pump, 5-7
 Seal, Seat, Valve, 5-3
 Seal, Shaft, Drain Plug, 2-109
 Seal, Ure, 0.38 0.75w 13.2l Adh, 2-115
 Seal, Ure, 0.38 0.75w 33.0l Adh, 2-115
 Seal, Wire, 14/16ga [Wp / Mp280 Sealed], 4-23
 Sealant, Tube, Ds, 5-8
 Seat, Rotator, Valve, 5-3
 Seat, Spring, Valve, 0.333, 5-3
 Seat, Spring, Valve, 5-3
 Seat, Suspension, W/1 Arm And Belt, 2-13
 Seat, Valve, Exhaust, [+0.2mm], 5-3
 Seat, Valve, Exhaust, [+0.4mm], 5-3
 Seat, Valve, Exhaust, Std, 5-3
 Seat, Valve, Intake, [+0.2mm], 5-3
 Seat, Valve, Intake, [+0.4mm], 5-3
 Seat, Valve, Intake, Std, 5-3
 Send-Unit, Fuel [2007], 2-37
 Send-Unit, Fuel, 2-35
 Send-Unit, Water, Temp, 04npt 113oh/195d, 2-133
 Sensor [T Map], 2-25, 2-31
 Sensor [Tmap], 2-23, 2-27
 Sensor, Exhaust, Tailpipe, 2-53
 Sensor, Level, Liq, 14vdc 01a .62-11, 2-102, 2-109, 3-5
 Sensor, Oxygen [Gm 1.6L/3.0L 2007], 2-53
 Sensor, Oxygen, 2-51
 Sensor, Position, Cshft, 2-21, 5-7
 Sensor, Spd / Dir, 6-30vdc, 2-67
 Sensor, Temp [Epr], 2-33
 Sensor, Temp, Coolant, 2-21
 Sensor, Temp, Water [Rework For 1.6GM], 2-21
 Shaft Wldt, Brake, 2-65
 Shaft Wldt, Pedal, Brake, 2-65
 Shaft, Brush, Idler, 2-79, 2-81
 Shaft, Motor, Hyd, 4-5
 Shaft, Output, Motor, Hyd [En], 4-9
 Shaft, Output, 4-8
 Shaft, Pump, Water, 4-3
 Shaft, Pump, 4-7
 Shaker Wldt, 2-73
 Sheave, 5.00dia [Gm1.6l 2007], 2-49
 Sheave, Cshft, 5-5
 Shield, Heat, Gas/Lpg, Replmt (Japan Only), 2-53
 Shield, Heat, Gas/Lpg, Replmt, 2-53
 Shield, Manifold, Exhaust, 5-9
 Shield, Starter [1.6l], 2-21
 Shim Kit, 4-7
 Shim, Washer, 0.88d 0.51b .020, 2-113
 Shim, Washer, 0.88d 0.51b .060, 2-113
 Shock Absorber, 2.3 Strk, 2-67
 Shoe, Brake, 180 X 30mm, 2-63
 Shoe, Plstc, Sqge, 14.0, 3-43, 3-45
 Shroud Assy, Eng, 2-19
 Shroud, Front, Trimmed, 2-17
 Shroud, Seat, 2-13
 Skirt, Debris, Eng Radiator, 2-55
 Skirt, Neo, .06, 06.38w 40.86l, 06 Hole, 1-1, 2-85
 Skirt, Neo, .06, 06.85w 27.95l, 08 Hole, 1-1, 2-93, 2-97
 Skirt, Neo, .06, 07.63w 51.52l, 11 Hole, 2-85
 Skirt, Neo, .06, 12.00w 45.88l, 07 Hole, 1-1, 2-85
 Skirt, Neo, .06, 26.99w 40.55l, 36 Hole, 2-85
 Skirt, Neo, .12, 05.39w 14.01l, 02 Sl, 2-85
 Skirt, Neo, .18, 10.37w 27.95l, 12 H&S, 1-1, 2-93, 2-97
 Skirt, Rbr, .37, 04.50w 40.94l, 06 Hole, 1-1, 2-85
 Sleeve, 0.31b 0.50d 0.3l, Ss, 2-95, 2-99, 2-109
 Sleeve, 0.49b 0.68d 1.2l [304ss], 2-95, 2-99
 Sleeve, Dashpo, Pump, Hyd, Gear, 4-5
 Sleeve, Nyl, #37 05.0l, 2-61
 Sleeve, P/M, 0.31b 0.50d 0.3l [430ss], 2-105, 2-111
 Sleeve, P/M, 0.31b 0.50d 0.7l [430ss], 2-89, 2-105, 2-111
 Sleeve, P/M, 0.31b 0.50d 0.9l [430ss], 2-51, 2-53, 2-79, 2-81
 Sleeve, P/M, 0.34b 0.63d 0.6l, Bnz, 2-91
 Sleeve, P/M, 0.34b 0.63d 1.2l, Bnz, 2-89
 Sleeve, P/M, 0.37b 0.50d 0.6l [430ss], 3-9
 Sleeve, P/M, 0.43b 1.00d 1.0l, Stl, 2-35
 Sleeve, P/M, 0.47b 0.75d 0.5l [430ss], 2-83
 Sleeve, Pump, Water, 4-3
 Sleeve, Rbr, 3.50b 3.58d 1.8l, 3-5
 Sleeve, Throttle, Plstc [Bosch], 2-27
 Solenoid, #10, 12vdc, 4-13, 4-15, 4-17, 4-19
 Solenoid, #8, 12vdc, 4-11, 4-13, 4-15, 4-17, 4-19
 Solenoid, 12v, Valve, Hyd [Cec], 4-10
 Solenoid, Pull, 12vdc, Damper, 2-75
 Spacer Plate, 4-8
 Spacer, Coil, #8, 4-11, 4-19
 Spacer, Fan, Taper [2007], 2-49
 Spacer, Fan, 2-49
 Spacer, Hub, Keyed, 3-7
 Spacer, Pad, Rbr, 2-87
 Spacer, Plstc, Ny, 2-13
 Spacer, Sppt, Fltr Lock Off, 2-27
 Spacer, Strap, Adj, Alternator, 2-49
 Spacer, Valve, Steering, 4-21
 Spacer, 3-7
 Sparkplug [Gm], 1-1
 Sparkplug, 5-12
 Spool, Pilot, Dual, Hyd, 4-19
 Spool, Pilot, Hyd, 4-11, 4-13, 4-15, 4-17, 4-19
 Spring Kit, Scu [C], 4-21
 Spring, Cmpr, 0.9od .042wir 02.0l, 2-89
 Spring, Cmpr, 18.8d, 1.6w, 57.1l, 2-15
 Spring, Dsl, 1.00od 0.50id 1.7l, 2-91
 Spring, Extn, 0.75od X 0.09wir, 2.5l, 2-95, 2-99
 Spring, Extn, 0.75od X 0.12wir, 4.3l, 2-67
 Spring, Extn, 0.88od X 0.14wir, 9.0l, 2-87
 Spring, Extn, 1.68od X .203wir, 7.5l, 2-83
 Spring, Flat, Retainer, Angled Screen, 2-71
 Spring, Flat, Retainer, Screen, 2-71
 Spring, Flt, 0.08th, 4.50w X 07.0l, 2-87
 Spring, Keeper, 2-91
 Spring, Motor, Hyd, 4-5
 Spring, Tors, 0.75id .06wir 02.8coil, 2-65

CROSS REFERENCE

- Spring, Tors, 1.13id .12wir 02.3coil Rh, 2-65
Spring, Valve, Relief, Oil Press, 5-7
Spring, Valve, 5-3
Spring, Wir, 0.08d, Brake, Parking, 2-65
Spring, Wir, 0.16d, Brush Retaining, 2-3
Spring, Wir, 0.25d, Return, Brake, 2-63
Spring, 4-5
Sprocket, Camshaft, 5-11
Sprocket, Crankshaft, 5-11
Squeegee Assy, Sba, Linatex, 1-1, 3-7
Squeegee Assy, Sba, Ure, 1-1, 3-7
Squeegee Kit, Rear, Replmt [M20/T20], 2-89
Squeegee Wldt, Rear, 2-89
Starter, 12vdc [Delco] (Mar. 2006 and Newer), 5-5
Starter, 12vdc [Gm] (Before Mar. 2006), 5-5
Steer-Control, Hyd#05, 06.1 2030 (See Breakdown), 2-15
Steer-Control, Hyd05, 06.1 2030, 4-21
Stem, Valve, Hyd [4w2p], 4-15, 4-19
Stem, Valve, Hyd, 4w2p, 4-11, 4-13, 4-17
Stem, Valve, Hyd, 4-13, 4-15, 4-17, 4-19
Stop, Rotation, 2-91
Strainer, Hyd, 25gpm 100mesh Psi, 2-133
Strainer, Hyd, 25 Gpm 100 Mesh, 1-1
Strainer, Soltn, 20 Mesh, Cyl 3.5d 9.5l, 3-5
Strap, Adj, Alternator, 2-49
Strap, Door, Dump, Side, 2-77
Strap, Door, Dump, 2-77
Strap, Mtg, Motor, .124.00W, 2-73
Strap, Mtg, Tank, Lpg, Hinge, 2-39
Strap, Mtg, Tank, Lpg, 2-39
Strap, Pyp, 0.07 1.0w 18.5l, W/ Buckle, 3-43
Strap, Rbr, Tie-Down, 2/Hooks 19.0l, 2-59
Strap, Retaining, Hose, 2-105, 2-111
Strap, Sppt, 2-67
Strap, Static, Afmkt, 2-85
Strap, Tank, Gas, 2-35, 2-37
Strip Mtg, Seal, 2-17
Strip, Flap, Recirculation, 2-85
Strip, Non-Slip, 0.50w 06.0l, 2-89
Strip, Rbr, 0.06 01.00W 04.0L, 2-73
Strip, Rbr, 0.06 04.00w 05.0l Neo/60, 2-73
Stud, .31-18 2.75l M8 X 1.25, Ss, 2-89
Stud, Ball, .39d .31-16, Gasspring, 2-13
Stud, M10 X 1.50 [35], 2-49, 2-51, 2-53
Stud, Manifold, M8 X 28, 5-9
Stud, Manifold, M8 X 96, 5-9
Stud, Starter, M08 X 1.25, 5-5
Stud, Wheel, .50-20 X 1.50l, 0.370th, 2-61
Switch Assy, Press, 3.0, 19.5l Tube, 3-5
Switch Kit, Pump, Repair,, 4-23
Switch, Ignition [Ku], 2-11
Switch, Indicator, Oil Press, 2-21, 5-7
Switch, Press, 0006psi Dpdt, 2-21
Switch, Press, 10psi, Spst, 3-17
Switch, Press, 12vdc 08a Spst Nc 0070psi, 2-39
Switch, Press, Spdt 0008psi, 2-75
Switch, Rocker, Dpdt Mom/Off/Mom, 2-11
Switch, Rocker, Dpdt On/None/On, 3-47
Switch, Rocker, Dpdt On/Off/On, 2-11
Switch, Snap, 15a No, Rlr, 2-69
Switch, Temp [160F], 2-73
Switch, Thermal, 160Deg, Spdt (Replaced by 9003444), 2-73
- ### T
- Tank Kit, Soltn, W/ Bracket, Replmt, 2-101
Tank, Coolant, 04.7 03.3 4.7deep, 1liter, 2-55
Tank, Detgt, Trimmed, 3-5
Tank, Fuel, 11.26Gal, gas, Replmt, 2-35
Tank, Fuel, 11.2gal, Gas, Replmt [2007], 2-37
Tank, Lpg, 33lb, W/ Gauge [Empty, Liq], 2-39
Tank, Recvy, Trimmed, 2-109
Tank, Soltn, W/ Label [M20], 2-101
Terminal, Bullet, Mal, .157d, 12ga, 3-35, 3-37, 3-38, 3-39
Terminal, Fem, Mp280, Sealed, 18-16ga, 4-23
Thermostat, W/ Hsng And Seal, 5-3
Thrust Bearing, 4-8
Tie, Cable, 6.0l, 1.25d Max, 3-38, 3-39
Tie, Cable, 11.3l, 2.75d Max, 3-17
Tie, Cable, Nyl, 07.3l .19w 1.8 Max D, 2-11, 2-23, 2-25, 2-61, 3-17, 3-38, 3-39
Tie, Cable, Nyl, 15.3l . W 4.5 Max D, 3-17, 3-23, 3-31
Tie, Cable, Nyl, 15.3L . W 4.5 Max D, 2-73
Tire Assy, Solid, 16.0x3.5, W/ Brg [Ni], 2-63
Tire Assy, Solid, 18.0X6.0 4.5BC/5Bolt, 2-61
Tire Assy, Solid, 18.0x6.0 4.5bc/5bolt, 1-1
Tire, Non-Skid, 18.0X6.0X12.10, 2-61
Tire, Solid, 16.0 X 3.5 X 12.1 [Nitrile], 2-63
Tower, Wldt, Lift, Lh, Replmt [M20], 2-5
Tower, Wldt, Lift, Rh, Replmt [M20], 2-5
Tray Wldt, Fuel, 2-35, 2-37
Tray Wldt, Lpg, 2-39
Tray Wldt, Perma-filter (Replaced By none), 2-73
Tray, Perma-Filter, 2-73
Tread, Non-Skid, 01.9w 08.0l, 2-5
Tread, Non-Skid, 02.2w 11.5l, 3-11
Tread, Non-Skid, 03.0w 11.6l, 2-5, 2-7, 2-66
Tube [Pcv], 5-3
Tube Assy, Plug, Drain, 2-109
Tube Kit, Tank, Recvy, Replmt, 2-111
Tube Kit, Tank, Soltn, Replmt, 2-105
Tube Wldt, Arm, Safety, 2-69
Tube Wldt, Exhaust, 1.6d, 2 FIng, 2-53
Tube Wldt, Exhaust, Gas/Lpg, 2-51
Tube Wldt, Leg, Ohg, Lh, Pntd, 3-41
Tube Wldt, Leg, Ohg, Rh, Pntd, 3-41
Tube Wldt, Plug, Drain, 2-109
Tube Wldt, Tee, 2-41, 2-43, 2-45, 2-47
Tube Wldt, Torque, 2-83
Tube, 0.50d 0.32b 00.4l, Ss, 2-105, 2-111
Tube, 00.38d 00.26b 00.3l Stl Pit, 2-67
Tube, 00.50d 00.38b 00.6l Stl, 2-67
Tube, 2.90id 3.00od 02.4l, Ss, 2-105, 2-111
Tube, Acrylic, Hose, Pinch, 2-111
Tube, Air Bleed, .62d 2.2l .12npt Alm, 2-23, 2-28
Tube, Bleed, Air, .62od 2.2l .12npt, Alm, 2-25, 2-33
Tube, Coolant, Lower, 1.3d, 2-55
Tube, Distribution, Water, 2-107
Tube, Ds, 5-8
Tube, Exhaust, 1.5d, 2-51
Tube, Exhaust, FIng, 1.5d [M20/T20 2007], 2-53
Tube, Hyd, 08 Jf08/Jf08, 3-13
Tube, Hyd, 08 Jf08/Jm08, 2-79
Tube, Hyd, Brush Return, 2-81
Tube, Hyd, Main Return, 2-131
Tube, Hyd, Rear Sqge [M20], 2-131
Tube, Hyd, Sqge, 2-131
Tube, Hyd, Swp, 2-135
Tube, Pvc, Clr, 4.0l [Shc80], 3-21, 3-23
Tube, Rnd, 1.75d 0.77b 01.1l, Stl, Pntd, 2-61
Tube, Transition, Casting, 2-115
Tube, Vacuum, 2-75
Tube, Vinyl, Pump, Water, 4-3
Tube, Wand, Vacuum, Metal [1pick=1box], 3-43
Tube, Wand, Vacuum, Metal, 3-45
Tubing Connctr.Kit, Gorman Pmp, 4-22
- ### U
- Upper Hsg Kit, Pump, Repair,, 4-23
- ### V
- Valve Assy, Relief [CI], 4-21
Valve Assy, Water, Solenoid , 12vdc, 2-107
Valve Assy, Water, Solenoid, 12vdc, 3-11
Valve Kit, Poppet, Gorman Rupp, 4-22
Valve Stem, N.O.Valve, Hyd, 4-10
Valve, Ball, 04pf, Chm W/ Handle, 2-35
Valve, Body, Throttle, Lpg, 2-28
Valve, By-Pass, Oil Fltr, 5-8
Valve, Check, 0002psi [Fast li+], 4-24
Valve, Check, 0002psi Bm04/Bm04, 3-19
Valve, Check, 0005psi [Fast li+], 4-24
Valve, Check, 0005psi Bm06/Bm08, 3-27
Valve, Check, Pump, Water, 4-3
Valve, Check, 2-27, 4-11, 4-13, 4-15, 4-17, 4-19
Valve, Cntrl, Hyd (See Breakdowns), 2-135

Valve, Cntrl, Hyd [M20 And T20] (See Breakdown), 3-13
 Valve, Cntrl, Hyd [M20 And T20], 4-13
 Valve, Cntrl, Hyd [M20] (See Breakdowns), 2-135
 Valve, Cntrl, Hyd [M20], 4-11
 Valve, Cntrl, Hyd, Solenoid, 03/16gpm, 4-15
 Valve, Cntrl, Hyd, 4-17
 Valve, Cntrl, Solenoid, 4-11, 4-19
 Valve, Exhaust, 5-3
 Valve, Fuelock, Lpg, Wire Connector, 2-27
 Valve, Hyd Cartridge 10no/-0, 4-10
 Valve, Hyd, Check, Jm08/Om08 5000psi, 3-13
 Valve, Hyd, Relief, 4-11
 Valve, Hyd, Solenoid 12vdc 3000psi (See Breakdown), 3-13
 Valve, Hyd, Solenoid, 12vdc (See Breakdown), 2-137
 Valve, Hyd, Solenoid, 12vdc, 4-19
 Valve, Intake, 5-3
 Valve, Lock Off, 2-33
 Valve, Lpg, Press Relief [Rego], 2-39
 Valve, Motor, Hyd, 4-5
 Valve, Relief, 0600Psi, 2-137
 Valve, Relief, 3000 Psi, 4-7
 Valve, Relief, 4000 Psi, 4-7
 Valve, Relief, Oil Press, 5-7
 Valve, Relief, 4-13, 4-15, 4-17, 4-19
 Valve, Shutoff, 3-47
 Valve, Solenoid, 12vdc, Water Flow, 3-23, 3-31
 Valve, Stem, No, 4-13, 4-15, 4-17, 4-19
 Valve, Trim, Fuel, Normal Flow, 2-28
 Valve, Water, 12vdc, 6.0mm, 04pf, 3-17
 Valve, Water, Solenoid, 12vdc 0.08pf, 3-3
 Valve, Water, Solenoid, 12vdc 6.0mm Pf04, 3-27
 Video, Oprtr, Dvd [W/Checklist M20], 3-53
 Vr, Filter, Screen, 50 Mesh .59d .8l Ss, 3-17

W

Wand Kit, Vacuum, Ci [M20], 3-43, 3-45
 Wand, Clean-Out, 3-47
 Washer, Belleville, .31, 2-67
 Washer, Flat, .78b 1.75d .18, Ss, 2-109
 Washer, Flat, #06, 2-55, 2-73
 Washer, Flat, #08, 2-13
 Washer, Flat, #10 Ss, 2-67
 Washer, Flat, #10, Ss, 2-23, 2-27, 3-3, 3-17, 3-23, 3-47, 3-51
 Washer, Flat, #10, 2-13, 2-19, 2-49, 2-59, 2-69, 3-47
 Washer, Flat, 0.25 Fender, 2-115
 Washer, Flat, 0.25 Fendr, 2-13, 2-19
 Washer, Flat, 0.25 Sae, 2-13, 2-15, 2-23, 2-27, 2-35, 2-41, 2-45, 2-51, 2-55, 2-73, 2-75
 Washer, Flat, 0.25 Std, 2-21, 2-55, 2-59, 2-65, 2-67, 3-17, 3-19

Washer, Flat, 0.25, Fendr, 2-56
 Washer, Flat, 0.25, Sae, 2-25, 2-31, 2-37, 2-53
 Washer, Flat, 0.25, Ss, 2-73, 2-77, 2-85, 2-107, 2-109, 3-49
 Washer, Flat, 0.25, Std, 2-7, 2-25, 2-31, 2-33
 Washer, Flat, 0.27B 0.69D .05, Ss, 3-27
 Washer, Flat, 0.27b 0.69d .05, Ss, 2-3, 2-102, 3-49
 Washer, Flat, 0.31 Sae, 2-7, 2-13, 2-19, 2-49, 2-61, 2-67, 2-95, 2-99, 2-101, 2-105, 2-111
 Washer, Flat, 0.31 Std, 2-67, 2-133
 Washer, Flat, 0.31, Hardened, 2-49
 Washer, Flat, 0.31, Ss, 2-51, 2-55, 2-73, 2-77, 2-85, 2-87, 2-89, 2-91, 2-95, 2-99, 2-105, 2-111, 3-3, 3-7, 3-9
 Washer, Flat, 0.31, Std, 2-5, 2-7, 2-13, 2-15, 2-17, 2-35, 2-37, 2-39, 2-41, 2-43, 2-45, 2-47, 2-49, 2-53, 2-55, 2-61, 2-65, 2-79, 2-81, 2-83, 2-85, 2-105, 2-109, 2-111, 2-131, 2-135, 3-9, 3-11, 3-13, 3-41, 3-49
 Washer, Flat, 0.32b 1.00d .12, Ss, 2-7, 2-13, 2-19, 2-71, 2-77, 2-101, 2-105, 2-109, 2-111, 2-113, 2-135, 2-137, 3-5, 3-19, 3-27, 3-33, 3-35, 3-37, 3-47
 Washer, Flat, 0.34b 0.75d .12 [Viton], 3-17
 Washer, Flat, 0.38 Sae, 2-21, 2-49, 2-67, 2-83, 2-91, 2-115, 2-129
 Washer, Flat, 0.38 Std, 2-5, 2-13, 2-35, 2-39, 2-67, 2-75, 2-131, 3-7, 3-41, 3-43, 3-51
 Washer, Flat, 0.38, Hardened, 2-21, 2-33
 Washer, Flat, 0.38, Sae, 2-53
 Washer, Flat, 0.38, Std, 2-53
 Washer, Flat, 0.38b 0.88d .08, Ss, 2-53
 Washer, Flat, 0.38b 1.25d .12, Neo, 2-71, 2-77
 Washer, Flat, 0.40b 1.12d .12, Ss, 2-115
 Washer, Flat, 0.40b 1.12d .12, Ss, 2-55, 2-73, 2-77, 2-91, 2-113, 3-41
 Washer, Flat, 0.41b 1.25d .12, Pye, 2-13
 Washer, Flat, 0.44b 1.00d .08, Ss, 2-5, 2-69, 2-87, 3-11
 Washer, Flat, 0.50 Sae, 2-15, 2-21, 2-55, 2-63, 3-9
 Washer, Flat, 0.50 Std, 2-21
 Washer, Flat, 0.50, Sae, 2-75
 Washer, Flat, 0.50, Std, 2-21
 Washer, Flat, 0.53b 1.88d .12, Stl, Pl, 2-7, 2-21, 2-87, 2-89
 Washer, Flat, 0.56b 1.38d .11, Ss, 2-83, 2-87, 2-95, 2-99
 Washer, Flat, 0.62 Sae, 2-17
 Washer, Flat, 0.66b 1.00d .12, Rbr, 3-3, 3-47
 Washer, Flat, 0.69b 1.19d .06, Stl, Pl, 2-91
 Washer, Flat, 0.75 Sae, 2-61
 Washer, Flat, 0.76b 1.50d .06, Ss, 2-63
 Washer, Flat, 0.79b 1.18d .06, Nyl, 2-105, 2-111

Washer, Flat, 0.81b 1.06d .06, Stl, 2-55
 Washer, Flat, 06, 3-45
 Washer, Flat, 1.15b 1.75d .08, Stl, 2-11
 Washer, Flat, 1.39b 2.12d .13, Stl, 2-61
 Washer, Flat, 10, Ss, 3-27, 3-31
 Washer, Flat, 10, 3-33, 3-35, 3-37, 3-38, 3-39
 Washer, Flat, 2.16b 3.50d .16, Felt, 2-61
 Washer, Flat, Belleville, .25, 2-95, 2-99
 Washer, Flat, Belleville, .31, 2-49, 2-105, 2-111, 2-113, 3-9
 Washer, Flat, Belleville, .38, 2-67, 2-87, 2-95, 2-99
 Washer, Flat, Belleville, .50, 2-95, 2-99
 Washer, Flat, Belleville, M10, 2-71
 Washer, Flat, M21.0b X 37d X 3, 2-63
 Washer, Flat, Pump, Hyd, 4-7
 Washer, Lock, Int, #06, 2-73
 Washer, Lock, Int, #08, Ss, 2-75
 Washer, Lock, Int, #10, Ss, 3-17
 Washer, Lock, Int, 0.38, 2-49
 Washer, Lock, Int-Ext, 0.31, 2-85
 Washer, Lock, Int-Ext, 0.38, 2-49
 Washer, Pump, Hyd [En], 4-7
 Washer, Rbr, 4-3
 Washer, Sealing, 0.28b 0.75d Ss, Neo, 2-109
 Washer, Sheave, Cshft, 5-5
 Washer, Shld, Nyl [8-32], 2-11
 Washer, Sprkt, Camshaft, 5-11
 Washer, Thrust, 0.34b 1.50d .06, 2-105, 2-111
 Washer, Thrust, 0.61b 1.25d .06, Fgl, 2-91, 2-93, 2-95, 2-97, 2-99, 3-7
 Washer, Thrust, 1.00b 1.75d 0.13w, Fbr, 3-9
 Weight, Eccentric, 2-73
 Wheel, 06.0d 2.00w 1.19b, Gray Rbr, 2-5, 2-75, 3-11
 Wheel, 3.0d 1.38w 0.50b, 1-1, 2-91
 Wheel, 4.0d 0.89w 0.64b, 2-89
 Wheel, Steering, 14.3d 0.81b 36tooth, 2-15
 Wire Set, Sparkplug [1.6l], 5-12
 Wire, 16ga 09.6l Brown Mp280/ #10ring, 2-21
 Wire, Ground, 2-49



We Need Your Help...

As part of Tennant's Zero Defects Program, we want to know about errors you have found or suggestions you may have regarding our machine manuals. If you find an error or have a suggestion, please complete this postage-paid form and mail it to us. Thank you for helping us make zero defects a way of life at Tennant.

Manual No. _____ Rev. No. _____ Publish Date _____ Page _____
Machine _____ Report Error Suggestion

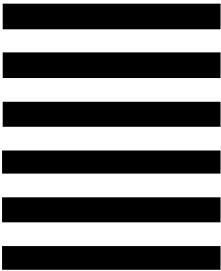
Name _____ Date _____
Customer Number _____
Company _____
Address _____
City/State/Zip Code _____



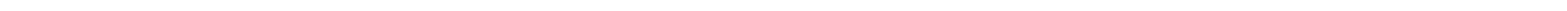
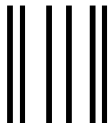
TENNANT COMPANY
 Technical Publications #15
 701 North Lilac Drive
 P.O. Box 1452
 Minneapolis, MN 55440-9947

POSTAGE WILL BE PAID BY ADDRESSEE

BUSINESS REPLY MAIL
 FIRST CLASS MAIL PERMIT NO. 94 MINNEAPOLIS, MN

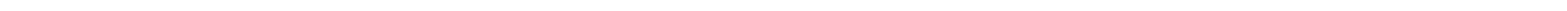


NO POSTAGE
 NECESSARY
 IF MAILED
 IN THE
 UNITED STATES



Fold along dotted lines

Tape here





We Need Your Help...

As part of Tennant's Zero Defects Program, we want to know about errors you have found or suggestions you may have regarding our machine manuals. If you find an error or have a suggestion, please complete this postage-paid form and mail it to us. Thank you for helping us make zero defects a way of life at Tennant.

Manual No. _____ Rev. No. _____ Publish Date _____ Page _____
Machine _____ Report Error Suggestion

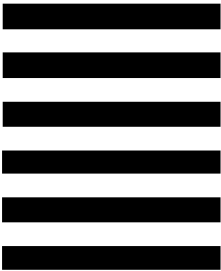
Name _____ Date _____
Customer Number _____
Company _____
Address _____
City/State/Zip Code _____



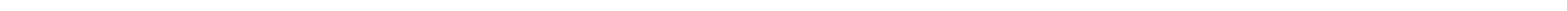
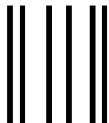
TENNANT COMPANY
 Technical Publications #15
 701 North Lilac Drive
 P.O. Box 1452
 Minneapolis, MN 55440-9947

POSTAGE WILL BE PAID BY ADDRESSEE

BUSINESS REPLY MAIL
 FIRST CLASS MAIL PERMIT NO. 94 MINNEAPOLIS, MN



NO POSTAGE
 NECESSARY
 IF MAILED
 IN THE
 UNITED STATES



Fold along dotted lines

Tape here

